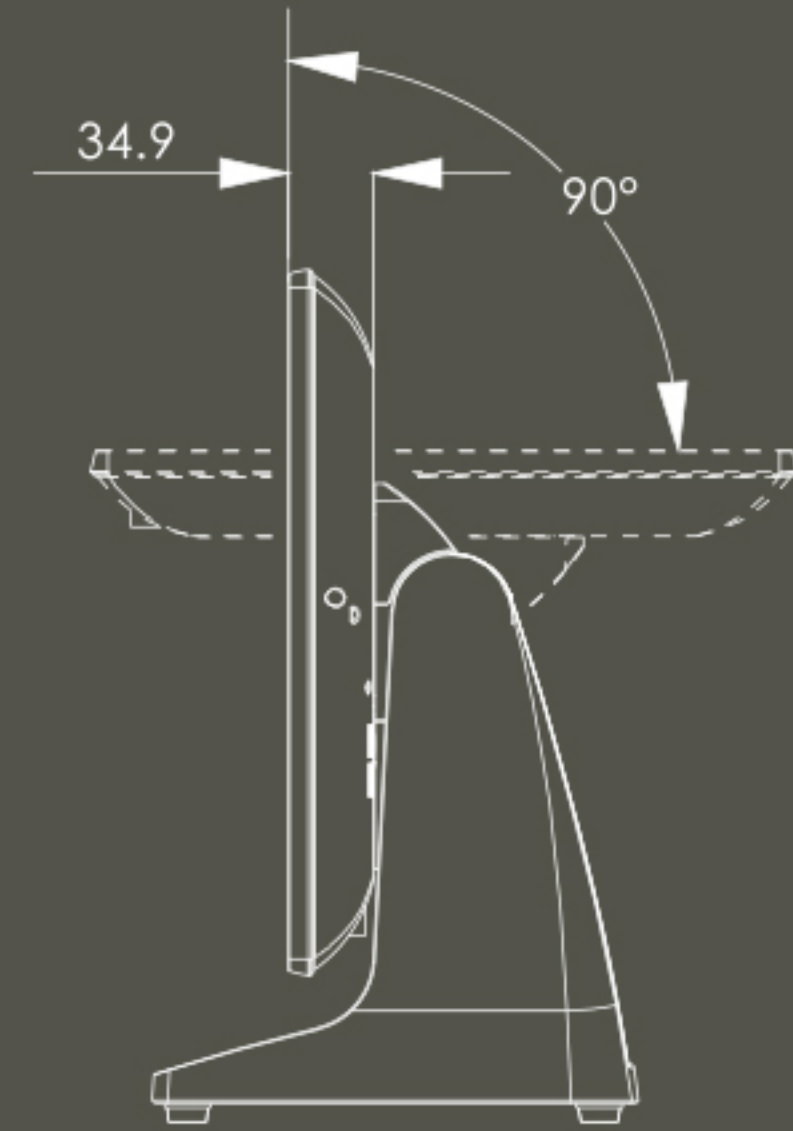
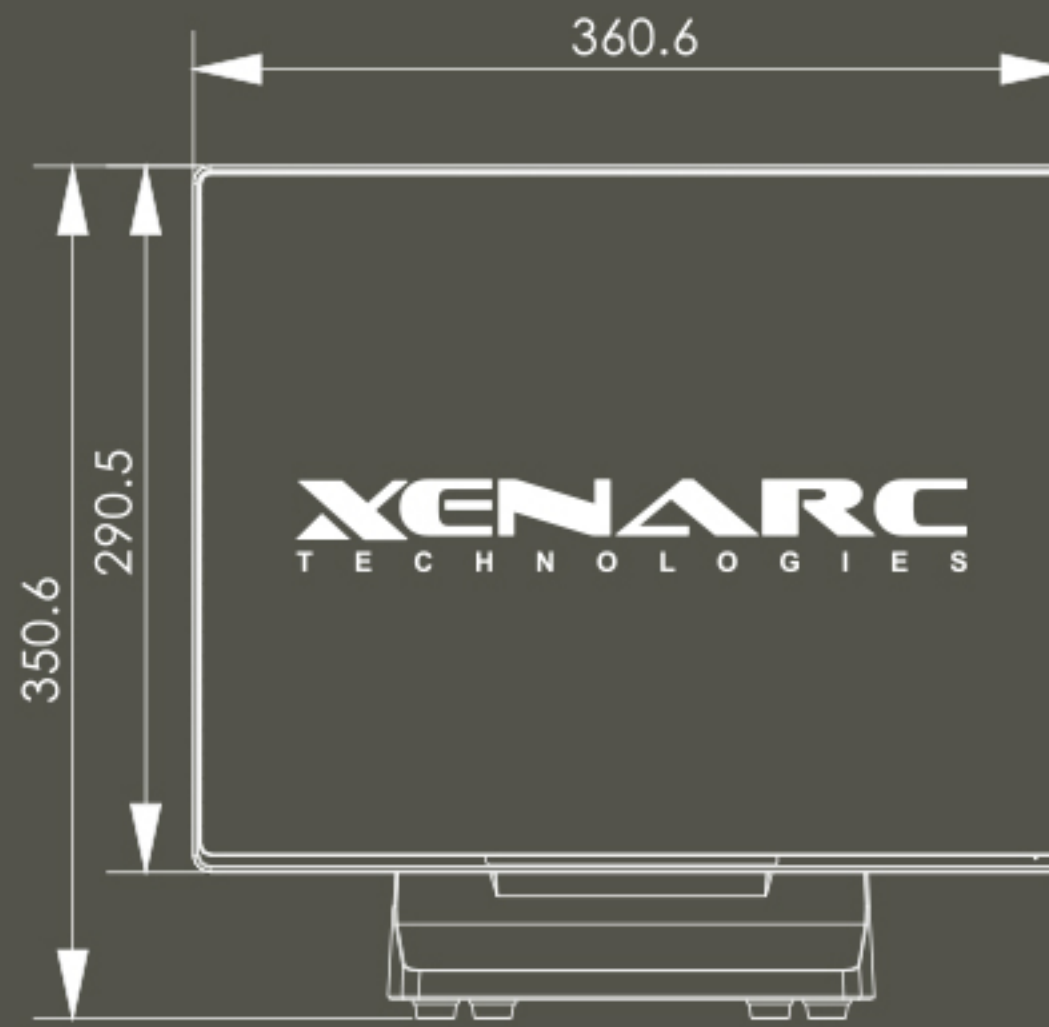
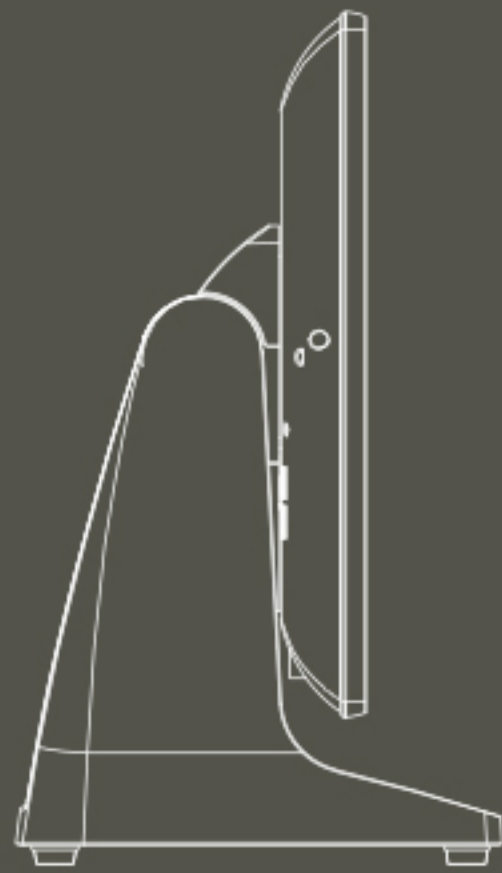
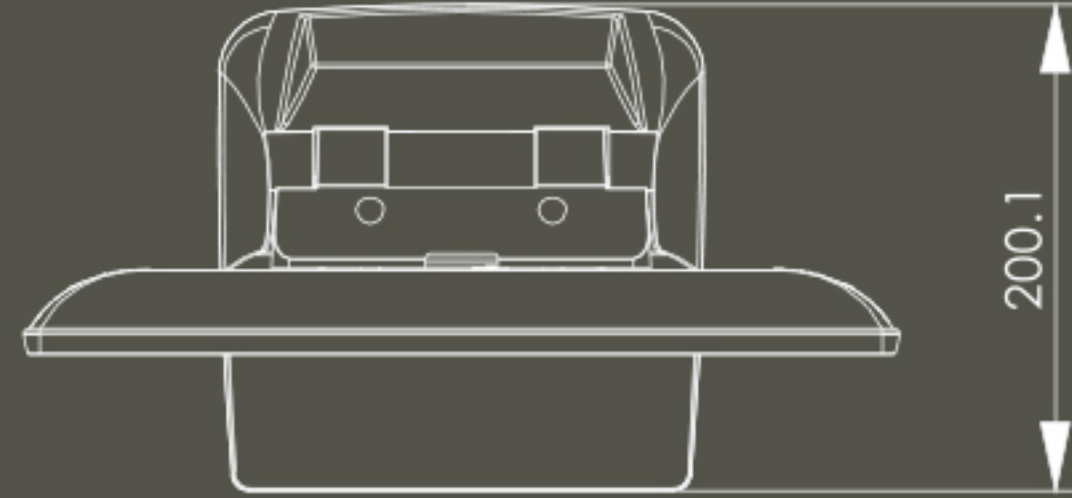
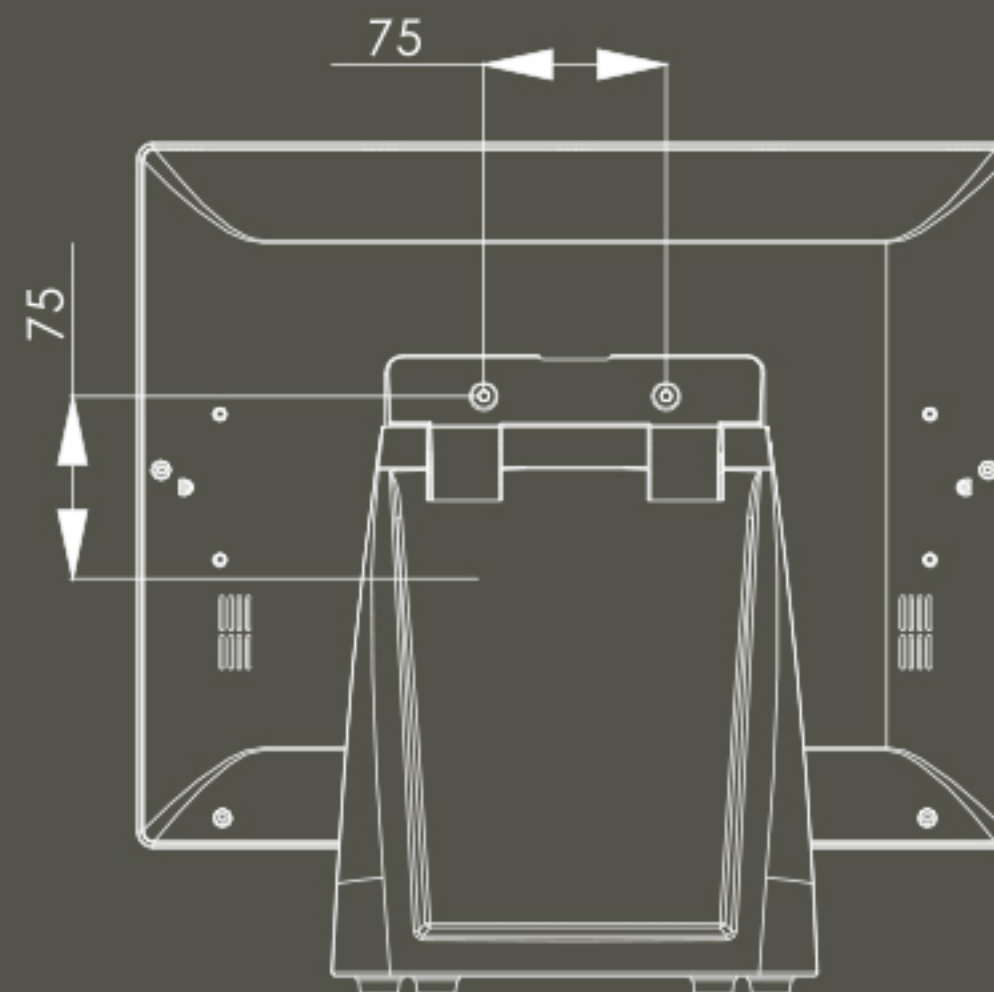


PhyPhysical Resolution: 1024x768  
Supported Resolution: 640x480 - 1024x786  
Brightness: 300 cd/m<sup>2</sup>  
Contrast Ratio: 800:1  
Viewing Angle: 160° Horizontal, 160° Vertical  
Response Time: 8ms (Typ.)  
Operating Voltage: DC 12V ±5%  
Power Consumption: 18W  
Operating Temp: 32°F ~ 104°F  
Storage Temp: 14°F ~ 122°F  
Weight: 7.25lbs w/ base, 5.07lbs w/o base  
24 Month Warranty  
All measurements are in [ mm ]



## ALL PURPOSE 15" MONITOR



### CERTIFICATIONS



**RoHS**



TEL: 949.380.8898 FAX: 949.380.0888  
EMAIL: SALES@XENARC.COM