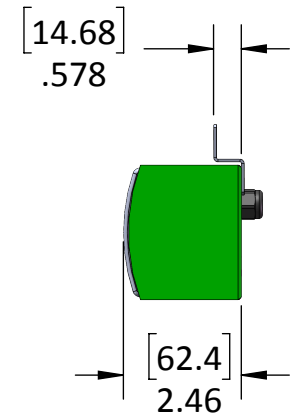
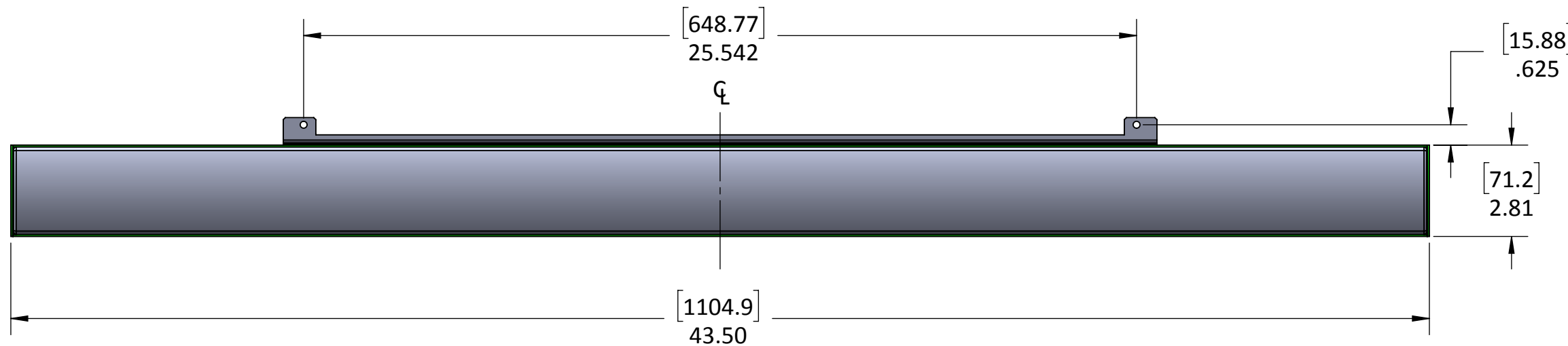
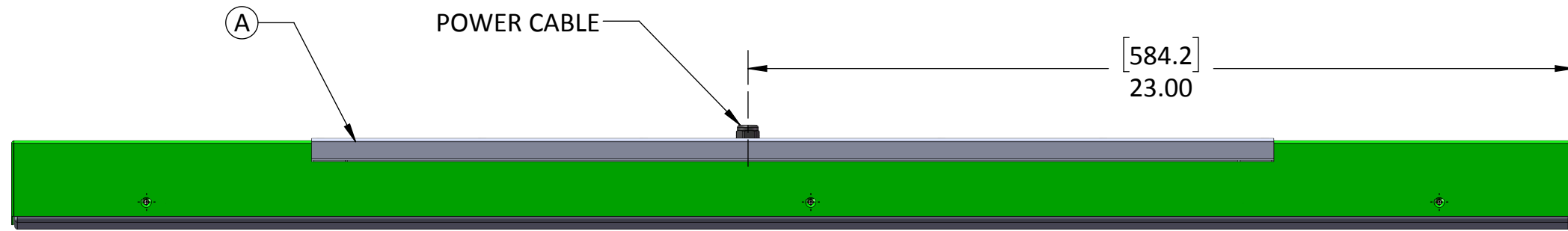


F9J 6C BG				
NC B9	F9J "	89G7 F-DHC B	85H9	5DDFC J 98
6(5	B9K 'A C I BHB; '6F57?9H	%/6%+##&\$%*	>88



SB-SP557

FOR MISSING DIMENSIONS AND FEATURE LOCATIONS REFER TO 3D CAD MODEL

NOTE 3		5DDFC J 5@G		85H9		Large Speaker Module SP557	
:F57HC BG 897 A 5@G 5B; @9G		89G# B JDD		20 Apr 15		H#E9	
W#S0UUAJVP0UY QIAU000000		8F5K B JDD		20 Apr 15		GAP 6 G7 5@ % (D5FH. F9J	
VP00A# OS0AUUR00V0P		7<97?98 A		A		G<99H%C : % 5	