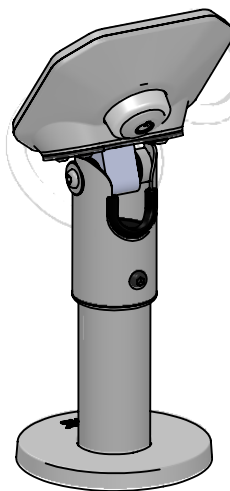
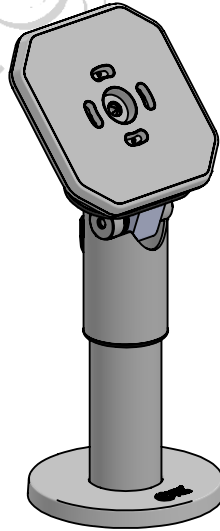


Assembly instructions on page 2



ADDITIONAL INFO: See assembly instruction (SPDC101/SPDC201-BOXING)

QTY. of configs in master box: 1

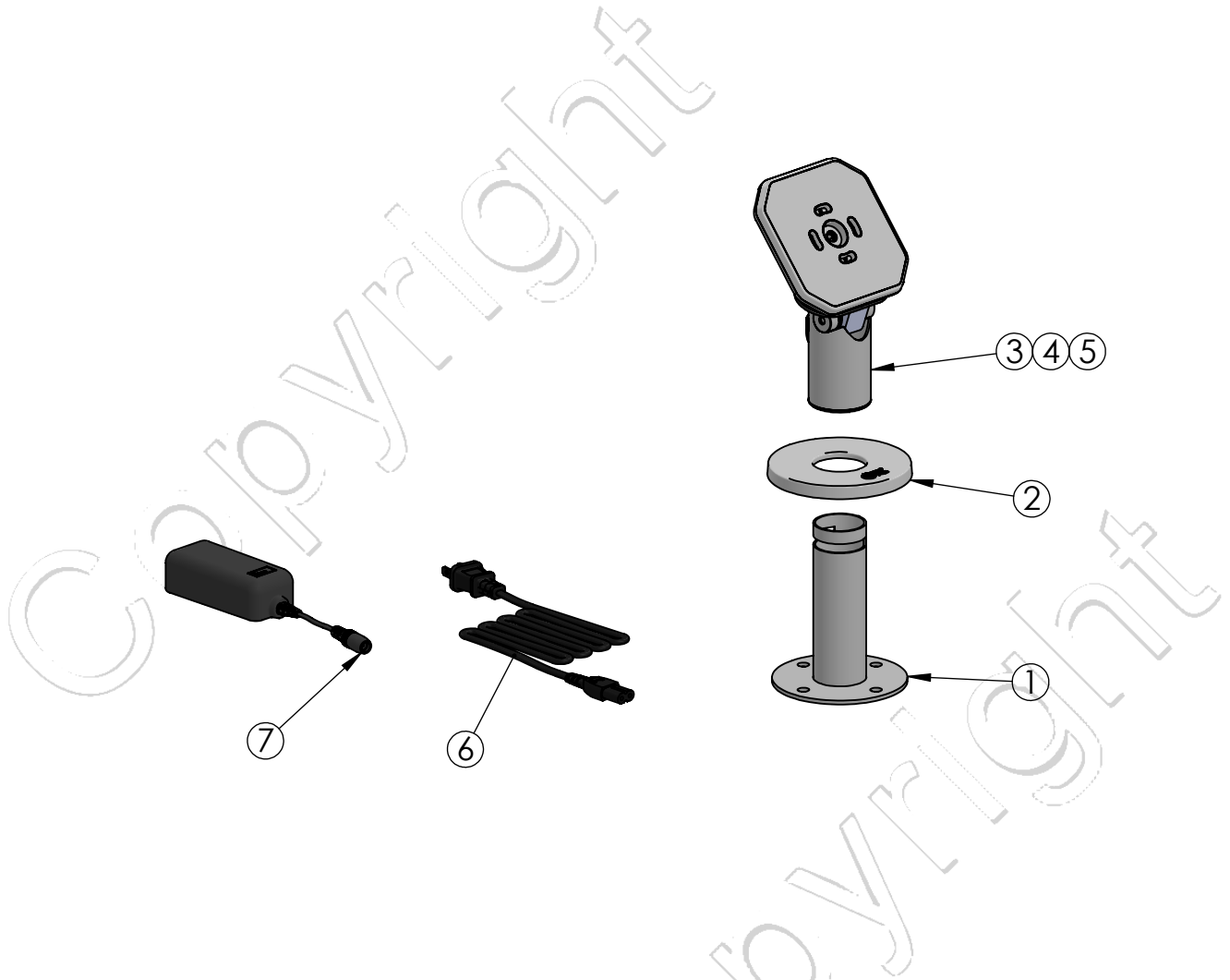
Item Net Weight: 944.89 kg | 2.07 lbs

Pallet Capacity: 91 items (B031)

Colour: nn

02 = Black

32 = White



POS	PARTS LIST		DESCRIPTION	BOX
1	SP1-1101-0120	1	Pole SP1, 120mm, w/Flange, 210° Rot. slot	
2	SP1-P22505-nn	1	Flange cover SP1	
3	SP1-7501_S4	1	SP1 DuraTilt™	
4	C700081	1	Dock and Charge, SP1 dock pole adapter for Duratilt	
5	P44-00013-nn	1	Dock and Charge, keylock dock - dock	
6	P22-00037-US	1	AC Power cable from PSU to power outlet, for US	
7	P22-00038	1	AC PSU to power outlet	
	MK10-0020	1	Fixing bag for Dock and Charge pole adapter	
	MK10-0047	1	Fixing bag for Dock and Charge enclosure, P44-00053/56	
	MK10-0053	1	Fixing bag for Dock and Charge camera access cover	
	MK0-0006	1	Fixing pack with bolt through & self tappers	
	MK15-0279	1	Dock and Charge 2.0 Installation Guide - Apple	
	B012	1	Box L150xW115xH135mm / L5.9xW4.5xH5.3in	

ADDITIONAL INFO: See assembly instruction (SPDC101/SPDC201-BOXING)

QTY. of configs in master box: 1

Item Net Weight: 944.89 kg | 2.07 lbs

Pallet Capacity: 91 items (B031)

Colour: nn

02 = Black

32 = White