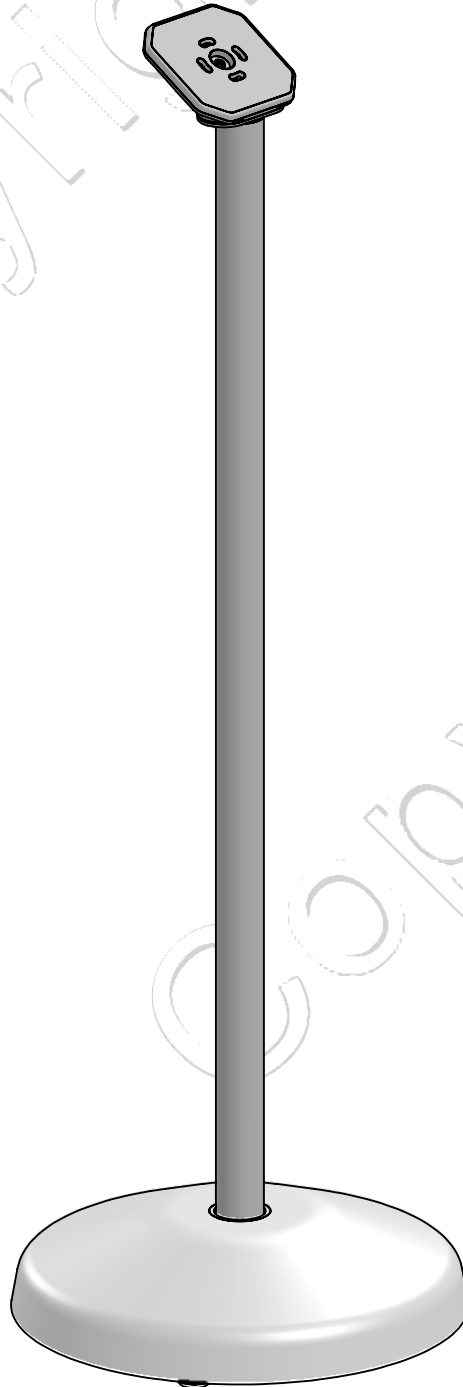


Assembly instructions on page 2



ADDITIONAL INFO: See assembly instruction (SPDC101/SPDC201-BOXING)

QTY. of configs in master box: 1

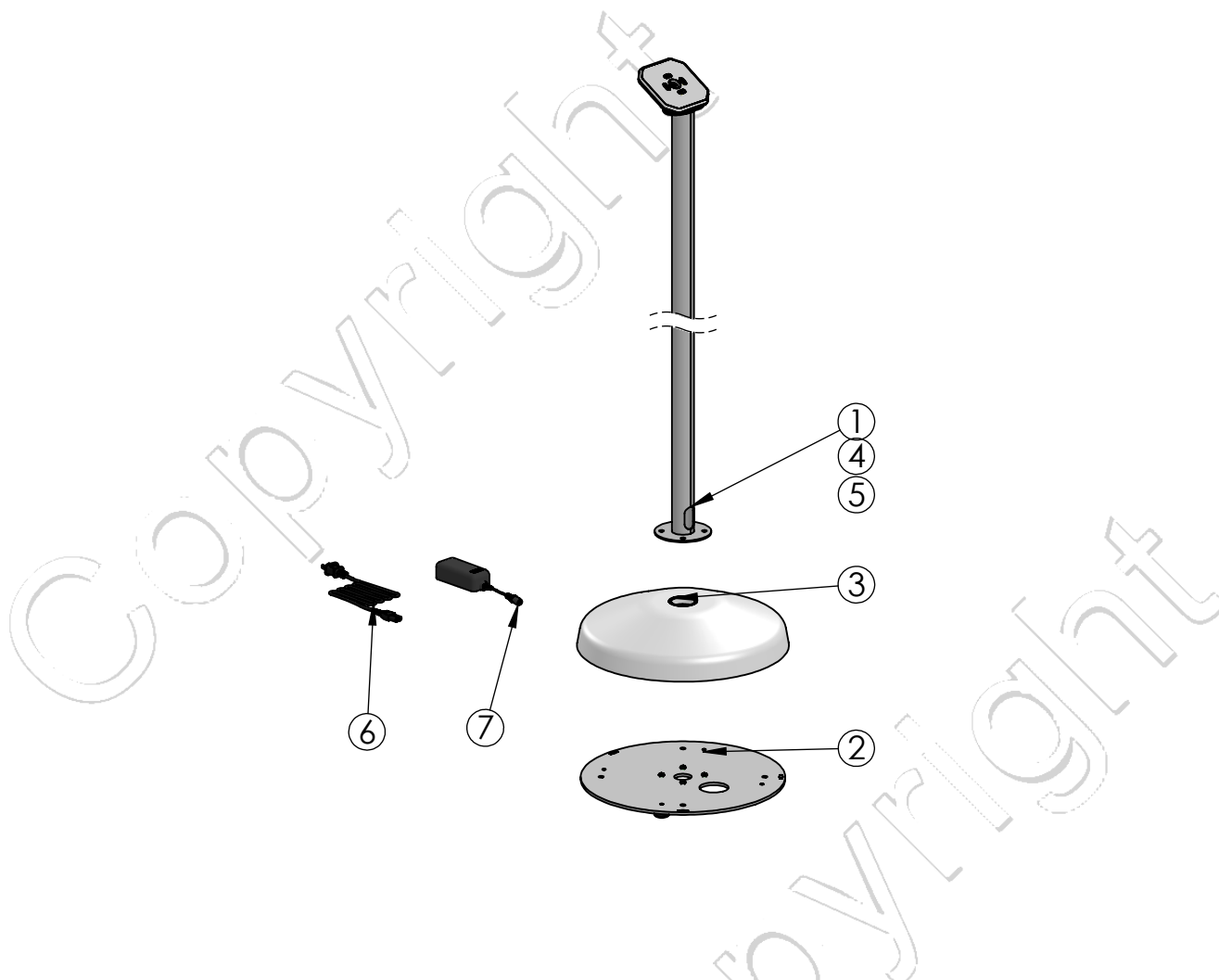
Item Net Weight: 6181.50 kg | 13.62 lbs

Pallet Capacity: 91 items (B031)

Colour: nn

02 = Black

32 = White



POS	PARTS LIST	QTY.	DESCRIPTION	BOX
1	C100625	1	SP1, 1000mm pole 24.5x19.5mm pattern	
2	CB00314	1	Ø350mm plate for floor stand	
3	P23019-nn	1	Floor stand flange cover with SP1 adaptor	
4	CB00343	1	Dock and Charge, SP1 dock pole adapter	
5	P44-00013-nn	1	Dock and Charge, keylock dock - dock	
6	P22-00037-US	1	AC Power cable from PSU to power outlet, for US	
7	P22-00038	1	AC PSU to power outlet	
	MK10-0020	1	Fixing bag for Dock and Charge pole adapter	
	MK10-0047	1	Fixing bag for Dock and Charge enclosure, P44-00053/56	
	MK10-0053	1	Fixing bag for Dock and Charge camera access cover	
	MK15-0279	1	Dock and Charge 2.0 Installation Guide - Apple	
	B027	1	Box L470xW470xH230mm / L18.5xW18.5xH9.1in	
	B0096	1	Box L1200xW130xH130mm / L47.2xW5.1xH5.1in	

ADDITIONAL INFO: See assembly instruction (SPDC101/SPDC201-BOXING)

QTY. of configs in master box: 1

Item Net Weight: 6181.50 kg | 13.62 lbs

Pallet Capacity: 91 items (B031)

Colour: nn

02 = Black

32 = White