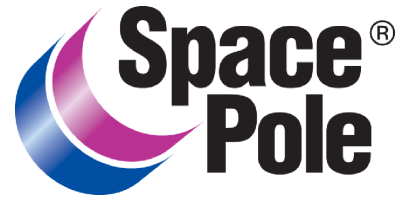
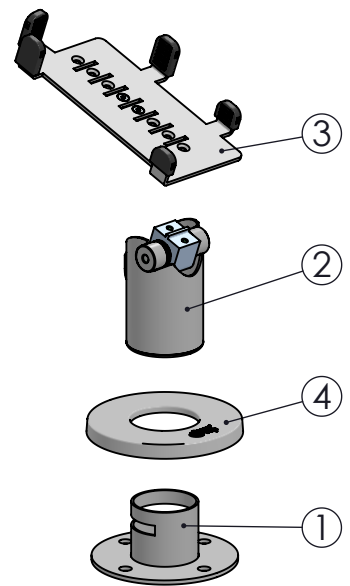
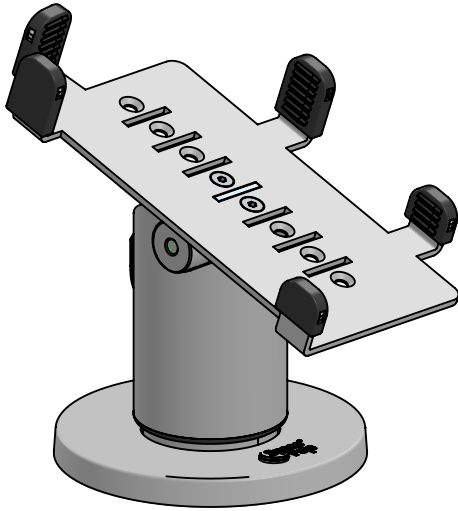


# PAX301-LD-MN-nn

PAX S300 DuraTilt™ SP2, 40mm (no handle)



Version: 1.0



POS	PARTS LIST	nn/QTY.	DESCRIPTION	BOX
1	SP2-1101-0040	1	Pole SP2, 40mm with Flange and 210° Top Rotation	
2	SP2-7501_S4	1	SP2 DuraTilt™	
3	54000312_C1	1	Multigrip plate for PAX S300	
4	SP2-P22505-nn	1	Flange cover SP2	
5	MK10-0001	1	C&P screwbag without cable grommet	
	MK15-0016	1	Installation guide - DuraTilt Mounts	
	B005	1	B005 Spacepole Box	
	B005A	1	B005 Spacepole Box Foam Insert	
	MK15-0001	1	SpacePole® product label 75x105	
	MK15-0002	1	Spacepole® sealing label 50x50	

ADDITIONAL INFO:						
QTY. of configs in master box: 1		Item Weight: 0.76 kg		Pallet Capacity: 216 items (B005)		
Colour: nn	01 = Light Grey	02 = Black	03 = Silver	04 = Pearl	05 = Iron Grey	32 = White