

IWB680-W



Display size
32"- 80"



Max load
250lb (113.6kg)

Over the Chalkboard Interactive Display Mount

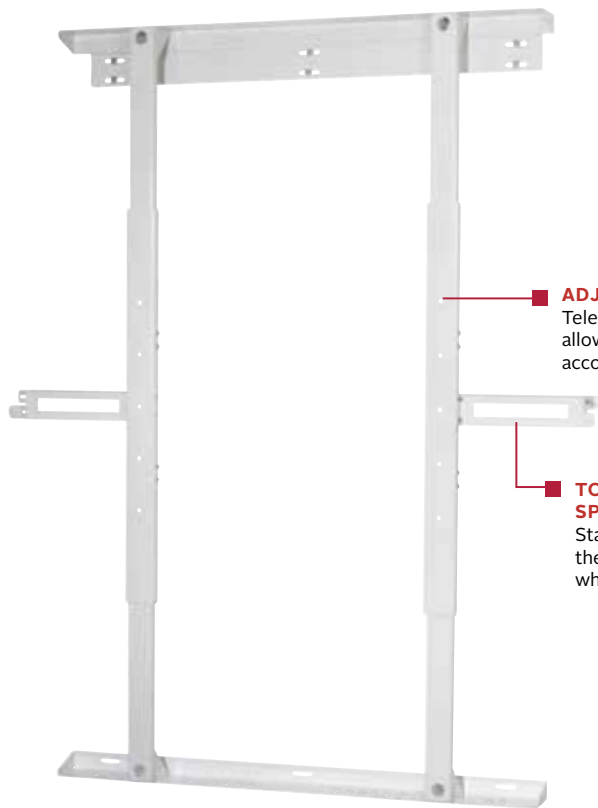
FOR 32" TO 80" INTERACTIVE DISPLAYS

The IWB680-W Interactive Display Mount is a cost effective solution to effortlessly add interactive whiteboards to classrooms and boardrooms, completely transforming the learning and communication environment. Installation and adjustment are easy with the telescoping vertical rails, which allow the mount to fit directly over existing whiteboards or chalkboards. As the mainstay of the interactive display, the mount is designed to prevent any movement while in use.

The IWB680-W allows the interactive touch panel to be installed directly over an existing whiteboard, eliminating waste and removal time.

Additional Features

- ✓ Fits interactive displays with VESA® mounting patterns up to 800 x 600mm
- ✓ Depth adjustability
- ✓ Mounts over an existing marker board/chalkboard
- ✓ Hook-on design simplifies the installation
- ✓ Mounts to wood studs, concrete or cinder-block wall construction



ADJUSTABLE RANGE

Telescoping vertical rails allow the mount to accommodate existing boards

TOUCH PANEL SPECIFIC DESIGN

Stability brackets prevent the panel from moving when in use



RoHS
COMPLIANT

IWB680-W

Over the Chalkboard Interactive Display Mount for 32" to 80" Interactive Displays

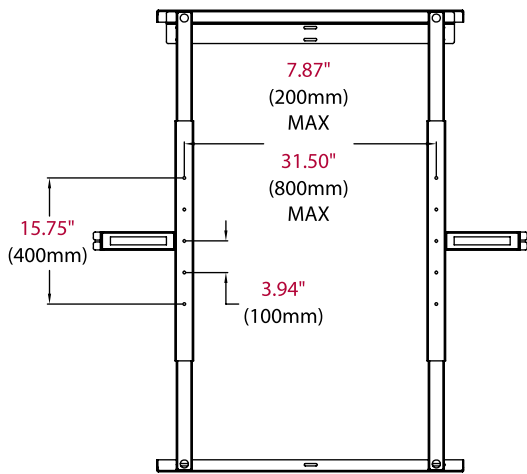
Product Specifications

	DIMENSIONS (W x H x D)	PRODUCT WEIGHT	LOAD CAPACITY	FINISH	AVAILABLE COLORS
IWB680-W	30.62"-54.25" x 57.70"-73.44" x 3.72"-5.00" (778-1378 x 1466-1866 x 94-127mm)	33lb (15kg)	250lb (113.6kg)	Powder Coat	White

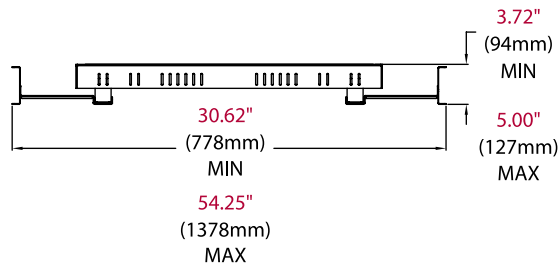
Package Specifications

	PACKAGE SIZE (W x H x D)	PACKAGE SHIP WEIGHT	PACKAGE UPC CODE	PACKAGE CONTENTS	UNITS IN PACKAGE
IWB680-W	46.00" x 12.00" x 3.50" (1168 x 305 x 89mm)	36.5lb (16.59kg)	735029307457	Mount, hardware & Instructions	1

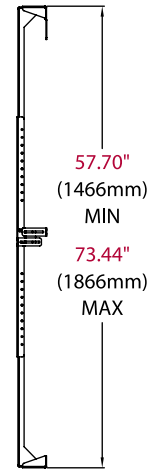
All dimensions = inch (mm)



FRONT VIEW



TOP VIEW



SIDE VIEW

Architect Specifications

The Over the Chalkboard Interactive Display Mount shall be a Peerless-AV model IWB680-W and shall be located where indicated on the plans. Assembly and installation shall be done according to instructions provided by the manufacturer.

Visit peerless-av.com to see the complete line of AV solutions from Peerless-AV, including outdoor displays, wireless, kiosks, digital audio, display mounts, projector mounts, carts/stands, and a full assortment of accessories.

Peerless-AV
2300 White Oak Circle
Aurora, IL 60502 USA
(800) 865-2112
(630) 375-5100
Fax: (800) 359-6500

Peerless-AV Europe
Unit 3 Watford Interchange
Colonial Way, Watford
Herts, WD24 4WP
United Kingdom
+44 (0) 1923 200100
Fax: +44 (0) 1923 200101

Peerless-AV de México
Ave de las Industrias 413
Parque Industrial Escobedo
Escobedo, N.L.,
Mexico 66050
+52 (81) 8384-8300
Fax: +52 (81) 8384-8360

