

KIT INSTRUCTIONS

X-Series HSR RJ12 Expansion

7702-K160
Issue A



The product described in this book is a licensed product of NCR Corporation.

NCR is a registered trademark of NCR Corporation. NCR RealPOS is a trademark of NCR Corporation in the United States and/or other countries. Other product names mentioned in this publication may be trademarks or registered trademarks of their respective companies and are hereby acknowledged.

The terms HDMI and HDMI High-Definition Multimedia Interface, and the HDMI Logo are trademarks or registered trademarks of HDMI Licensing LLC in the United States and other countries.

Where creation of derivative works, modifications or copies of this NCR copyrighted documentation is permitted under the terms and conditions of an agreement you have with NCR, NCR's copyright notice must be included.

It is the policy of NCR Corporation (NCR) to improve products as new technology, components, software, and firmware become available. NCR, therefore, reserves the right to change specifications without prior notice.

All features, functions, and operations described herein may not be marketed by NCR in all parts of the world. In some instances, photographs are of equipment prototypes. Therefore, before using this document, consult with your NCR representative or NCR office for information that is applicable and current.

To maintain the quality of our publications, we need your comments on the accuracy, clarity, organization, and value of this book.

Address correspondence to:

Manager, Information Solutions Group
NCR Corporation
Discovery Centre, 3 Fulton Road
Dundee, DD2 4SW
Scotland

Internet Address:

<http://www.info.ncr.com/Feedback>

Copyright © 2014
By NCR Corporation
Duluth, GA U.S.A.
All Rights Reserved

Revision Record

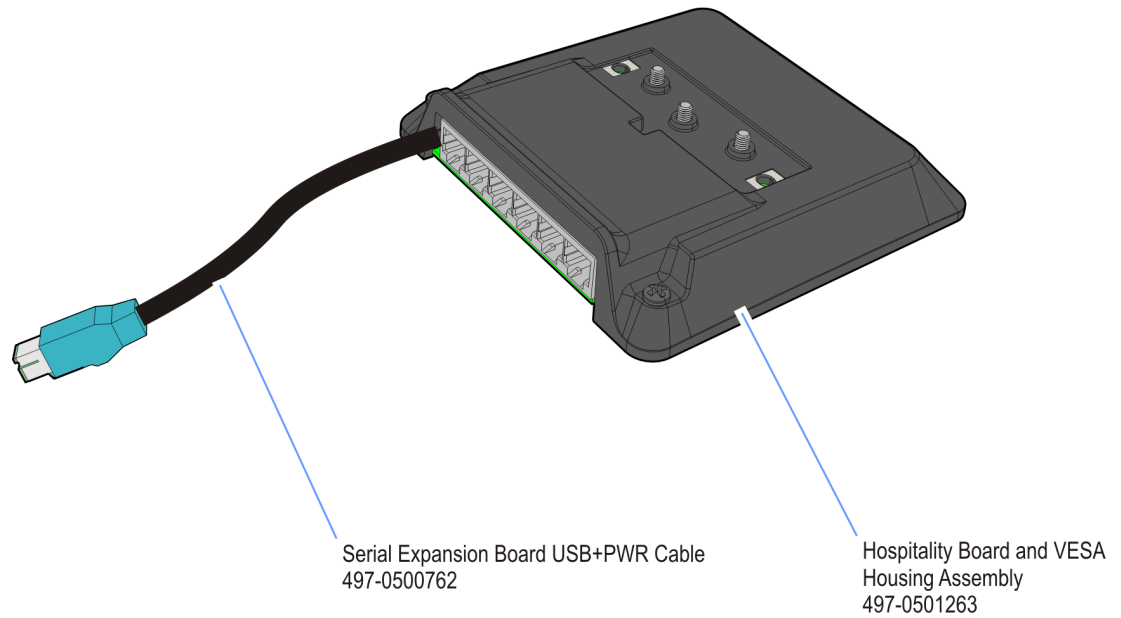
Issue	Date	Remarks
A	Aug 2014	First Issue
B	Sep 2014	Changed Title; Added feature descriptions and RJ12 pinouts

X-Series HSR RJ12 Expansion


This kit adds six additional serial ports to the RealPOS XR7 POS.

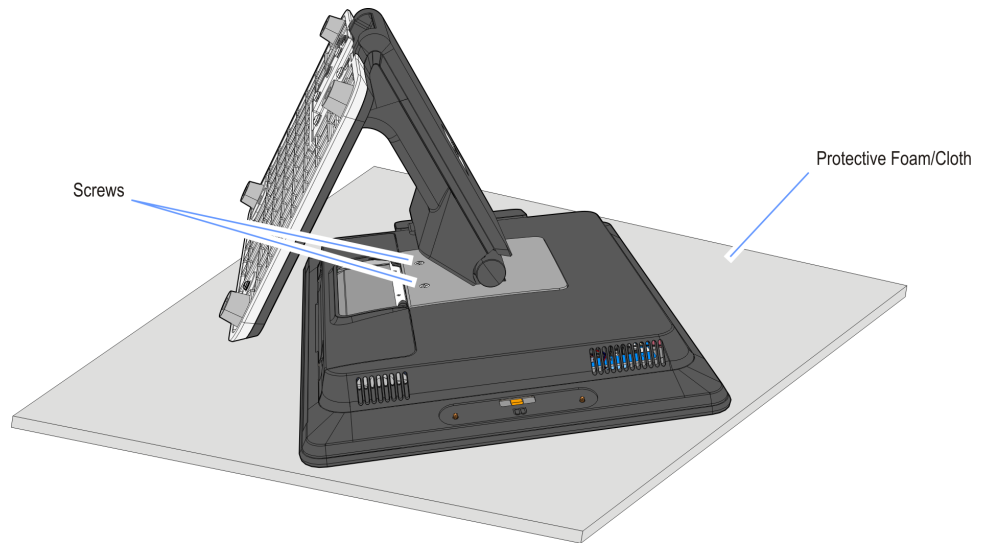
Disclaimer: This is not an RS-232 interface. These ports are RJ12 connectors and are for use with legacy Radiant peripherals only.

Components



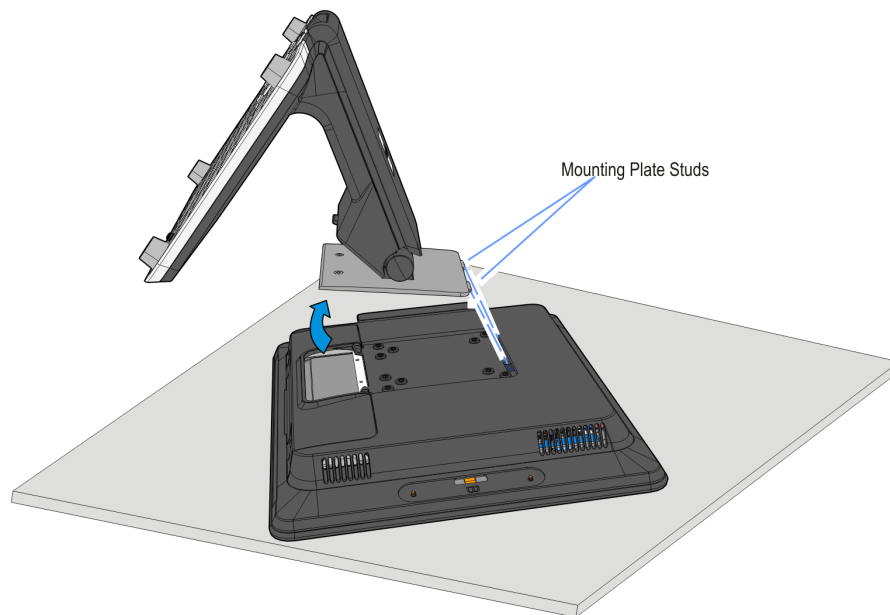
Installation Procedures

1. Remove the Base Stand.
 - a. Lay the terminal face down on a flat surface.
 -  **Caution:** Always use a soft material (cloth, foam) to protect the display screen when placing the terminal face down.
 - b. Remove the screws (2) that secure the Base Stand to the display.



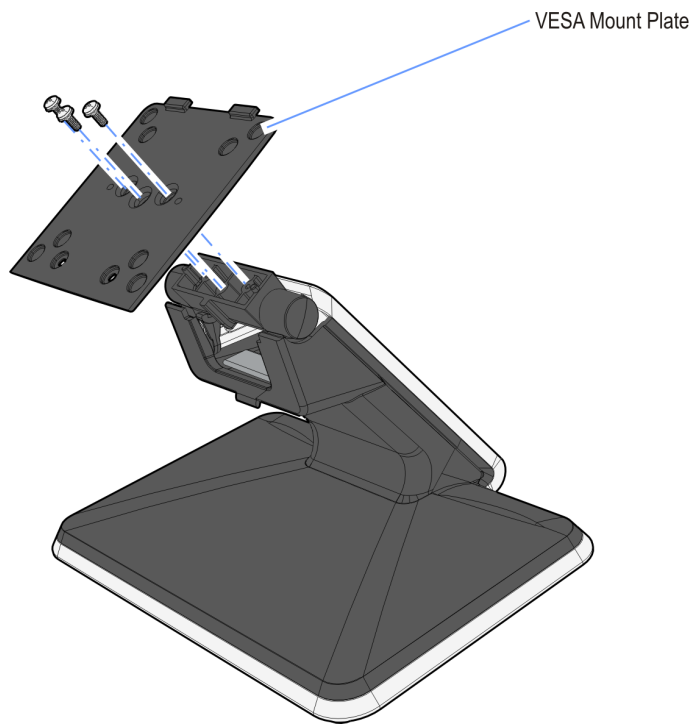
32809

- c. Rotate the Table Top Stand and remove the Mounting Plate Studs (2) from the openings in the Rear Cover.



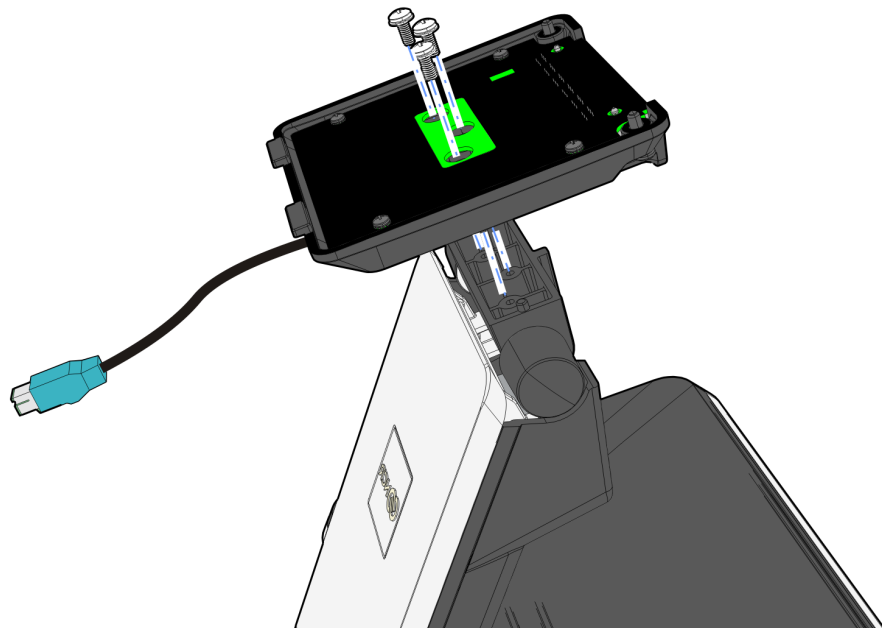
32808a

2. Remove the VESA Mount Plate from the Base Stand (3 screws).



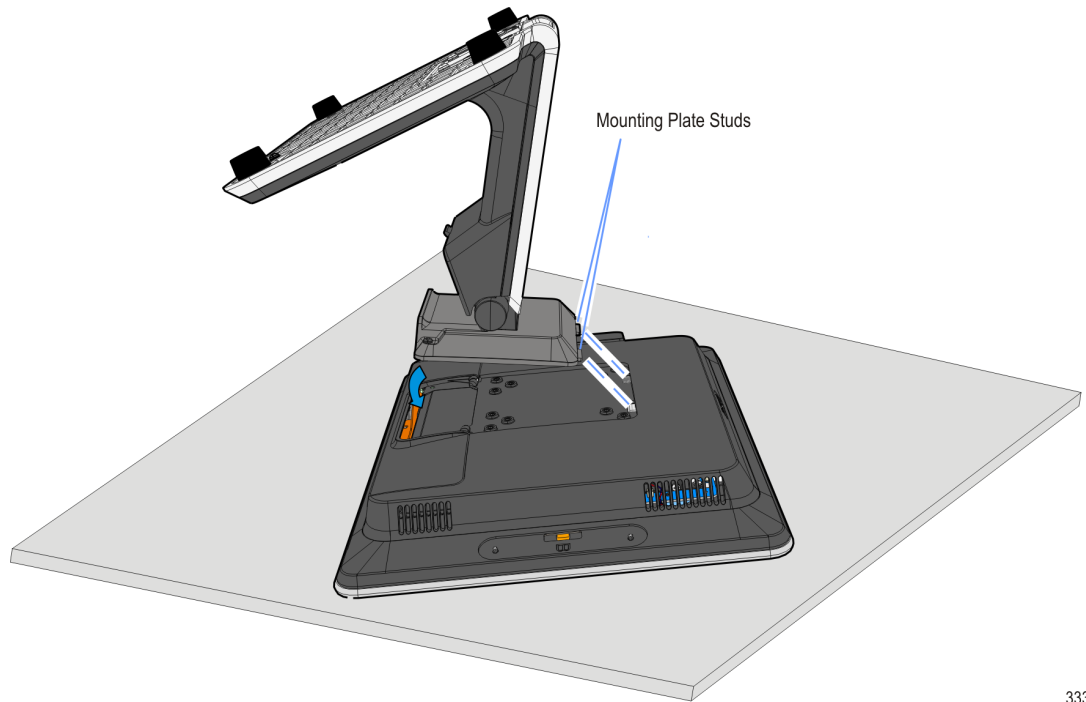
33383

3. Install the Serial Expansion Module on the Base Stand (3 screws).



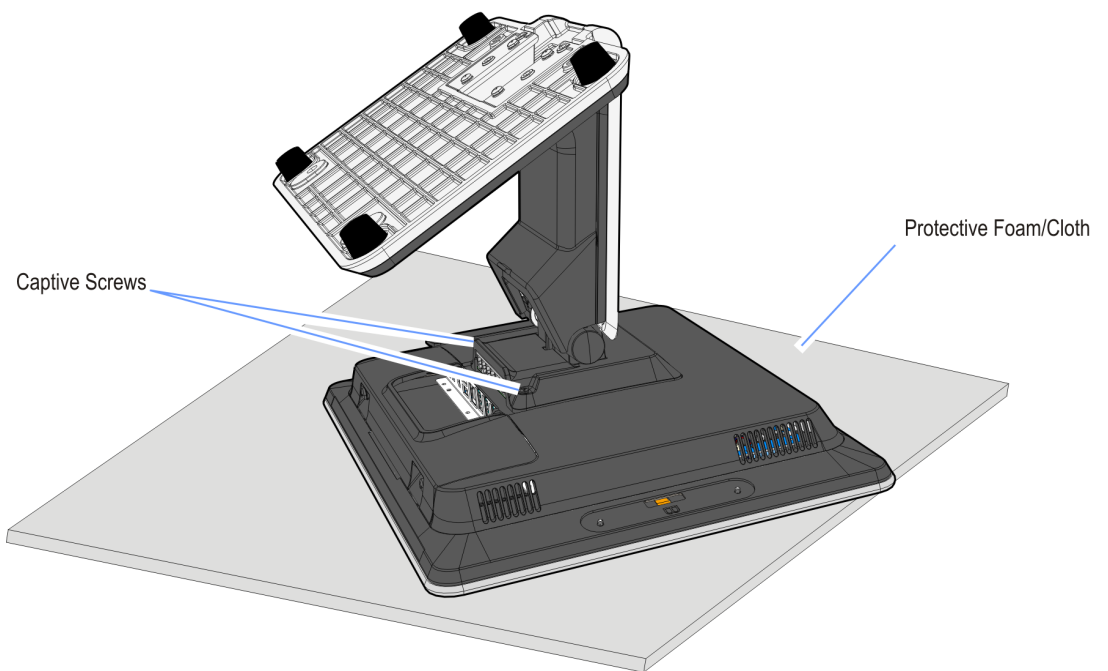
33380

4. Insert the Mounting Plate Studs (2) into the openings in the Rear Cover and rotate the Table Top Stand downward.



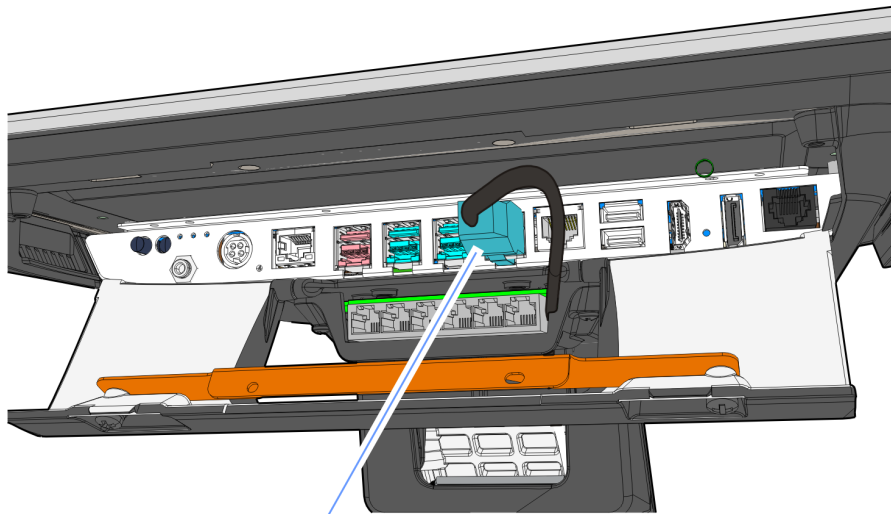
33386

5. Secure the Base Stand to the terminal (2 captive screws).



33385

6. Connect the Serial Expansion Power/USB Cable from the terminal I/O Panel.



Serial Expansion Power/USB Cable

