



The Ultra 180 and Ultra 182 arms are protected by U.S. Patent 9,243,743. Ultra 180 shown above.



Ultra 180B features easy-to-use brake that locks arm into place.



Ultra 180IH and Ultra 182H Workstations.



Ultra 180IB and Ultra 182B Workstations.

Ultra Arms Offer Industry-Leading Horizontal and Vertical Range of Motion

Create Your Ultimate Workstation with the Ultra 180 and Ultra 182 Arms Series

- **SLEEK DESIGN** and sturdy construction. Engineered for years of reliable service and quiet operation.
- **ERGONOMIC.** Relieve eye, neck and back strain by easily moving arm to most comfortable position. Keyboard trays adjust to positive, neutral, and negative tilt for maximum ergonomic benefit.
- **MONITOR ROTATES** for portrait viewing of images and pages. Eliminates scrolling.
- **EXTENDS AND RETRACTS.** Effortlessly push your display out of the way when not in use.
- **CABLE MANAGEMENT** system conceals cables and routes them through the arm for a neater appearance and to simplify cleaning.
- **INVERTED mount capabilities for all Ultra 180 and Ultra 182 arms to increase reach and avoid chair rails.**
- **VERSATILE.** The patented Ultra 180 and Ultra 182 can be configured to your specific needs. Ideal for computer workstations, and for mounting medical and industrial devices.
- **UNPRECEDENTED PATENTED RANGE OF MOTION.** Unique design provides premium ease-of-use adjustability. Arm rotates easily at every joint.
- **COMPACT.** The Ultra 180 and Ultra 182 stow 10" (25.4 cm) from the mounting surface and are ideal for space-constrained areas.
- **POPULAR** in healthcare environments and other settings that require maximum range of motion of a computer workstation or device.

Range of Motion Video

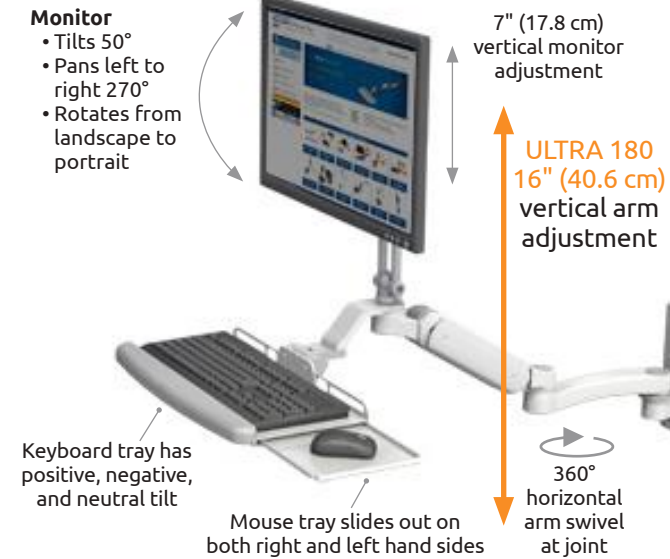


For more information contact your ICW representative or talk to one of our customer service representatives at 1-800-558-4435.

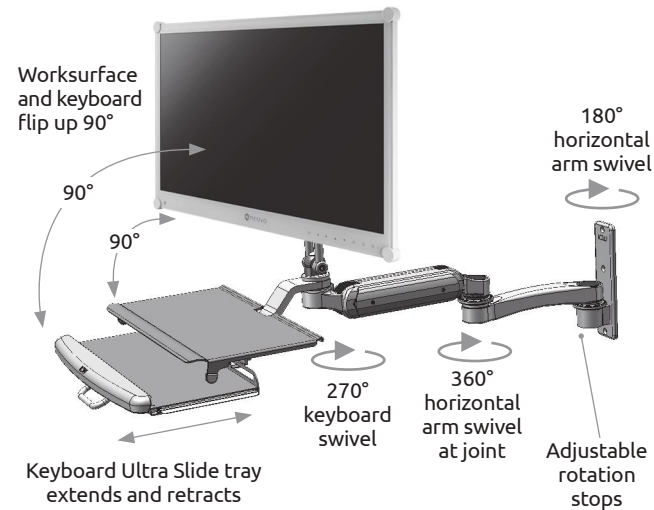
ULTRA 180 / ULTRA 180H / ULTRA 180B

Industry-Leading HORIZONTAL and VERTICAL Range of Motion

UL180EV7-W3-KUB-A1 with EV7 monitor mount, A1 extension arm and Flip Up Keyboard Tray.



UL180EV7-W3-KUS-A1 with EV7 monitor mount, A1 extension arm and Keyboard Ultra Slide.

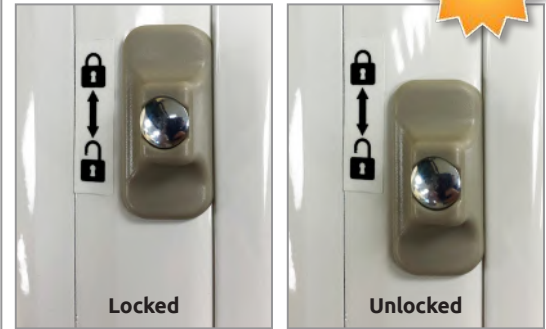


Stowed UL180 Desk Mount

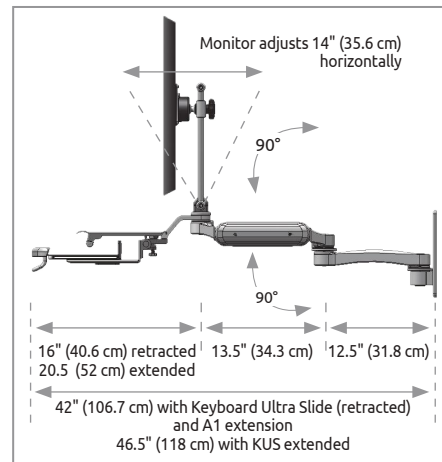


Stowed depth 10" (25.4 cm)

UL180B/UL182B Brake (Optional)



Brake easy to engage and locks arm into place.



Specifications: Ultra 180 / Ultra 180H / Ultra 180B

	Ultra 180	Ultra 180H	Ultra 180B
Load Capacity	0-32 lbs (0-14.5 kg)	0-42 lbs (0-19.1 kg)	0-42 lbs (0-19.1 kg)
Maximum Horizontal Reach	43.5" (110.5 cm)	43.5" (110.5 cm)	43.5" (110.5 cm)
Vertical Adjustment Range	16" (40.6 cm)	16" (40.6 cm)	16" (40.6 cm)
Stowed Depth	10" (25.4 cm)	10" (25.4 cm)	10" (25.4 cm)
Horizontal Rotation at Wall	180° at mount	180° at mount	180° at mount
Horizontal Rotation at A1 Joint	270° at mount	270° at mount	270° at mount
Monitor Tilt	50°	50°	50°
Monitor Pan Left-to-Right	270°	270°	270°
Monitor Rotation	Landscape to portrait position	Landscape to portrait position	Landscape to portrait position
VESA interface	75mm and 100mm	75mm and 100mm	75mm and 100mm

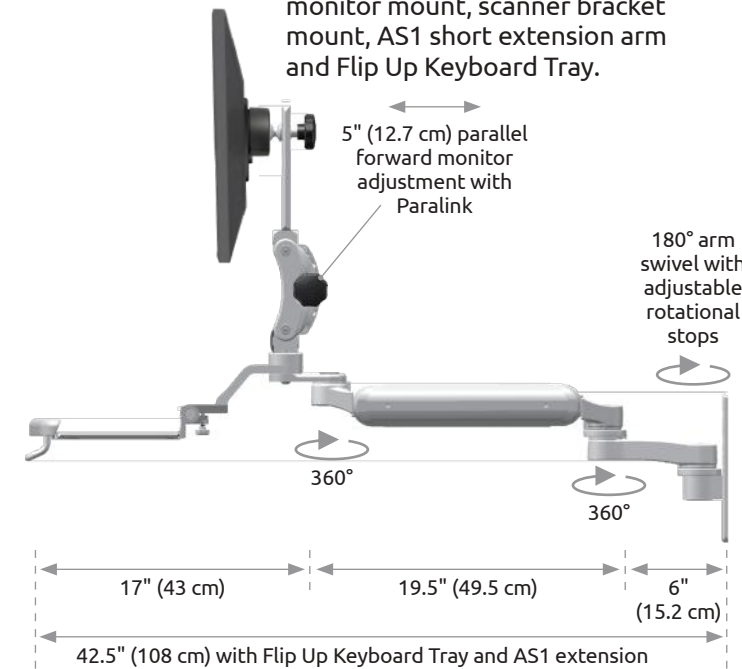
Monitor, keyboard and mouse not included.



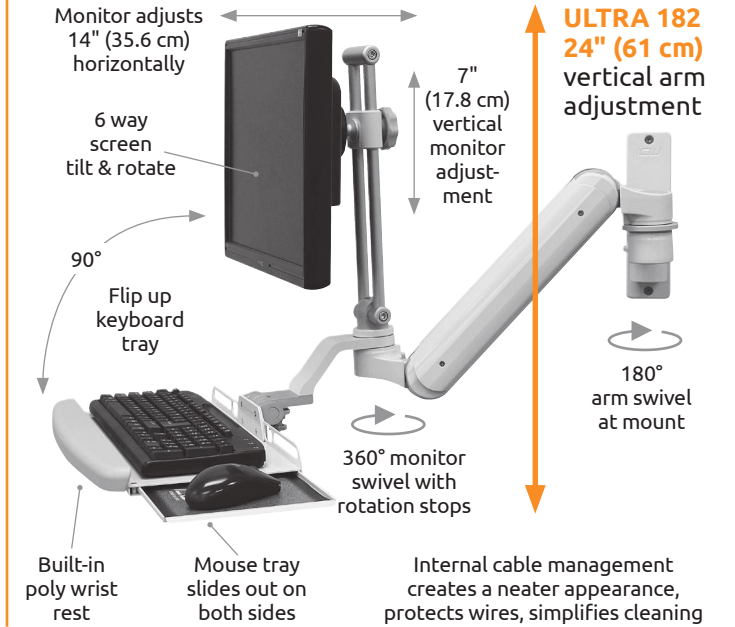
ULTRA 182 / ULTRA 182H / ULTRA 182B

True Sit-Stand Workstation

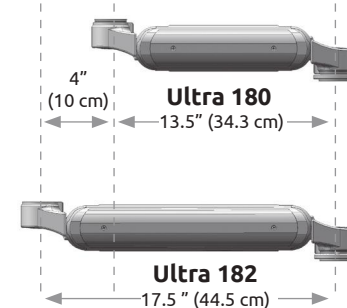
UL182P-W3-KUB-AS1 with Paralink monitor mount, scanner bracket mount, AS1 short extension arm and Flip Up Keyboard Tray.



UL182EV7-W3-KUB with EV7 monitor mount and Flip Up Keyboard Tray.



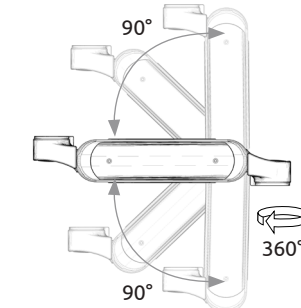
The Ultra 180 and 182 have identical range of motion.



The Ultra 182 is 4" (10.2 cm) longer and provides 8" (20.3 cm) more vertical reach.

The Ultra 182 has 4" more reach than the Ultra 180 arm.

The Ultra 182 provides a true sit-stand workstation.



Ultra 180 provides 16" (40.6) of vertical adjustment

Ultra 182 provides 24" (61 cm) of vertical adjustment

Specifications: Ultra 182 / Ultra 182H / Ultra 182B

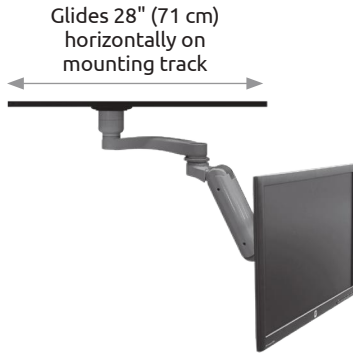
	Ultra 182	Ultra 182H	Ultra 182B
Load Capacity	0-32 lbs (14.5 kg)	7-45 lbs (3.2-20.4 kg)	7-45 lbs (3.2-20.4 kg)
Maximum Horizontal Reach	47" (119.4 cm)	47" (119.4 cm)	47" (119.4 cm)
Vertical Adjustment Range	24" (61 cm)	24" (61 cm)	24" (61 cm)
Stowed Depth	10" (25.4 cm)	10" (25.4 cm)	10" (25.4 cm)
Horizontal Rotation at Wall	180° at mount	180° at mount	180° at mount
Horizontal Rotation at A1 Joint	270° at mount	270° at mount	270° at mount
Monitor Tilt	50°	50°	50°
Monitor Pan Left-to-Right	270°	270°	270°
Monitor Rotation	Landscape to portrait position	Landscape to portrait position	Landscape to portrait position
VESA interface	75mm and 100mm	75mm and 100mm	75mm and 100mm

Monitor, keyboard and mouse not included.



Industry-leading versatility. Extensive configurations.

These are a few of the many possible configurations available.



UL180i-BV-TS28-D1-A1
Inverted Ultra 180 monitor mount attaches to a sliding track beneath a shelf or cabinet.



UL180iEV7-W3-KUB-A1
Inverted Ultra 180 shown with Flip Up Keyboard Tray and Service Tray with A1 extension mounted at the back of the arm.



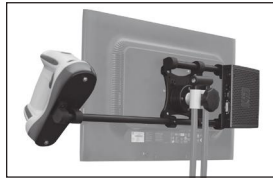
UL180EV7-W3-KUB-A1
Ultra 180 shown with Flip Up Keyboard Tray and A1 extension mounted at the front of the arm.

Unprecedented Range of Motion

The ONLY arm with full 180° of vertical rotation and up to 360° of horizontal rotation.

No other arm matches this range of motion.

You have precise control over the positioning of your monitor and workstation.



Scanner Bracket Mount Options

Behind-the-monitor scanner bracket and Mini PC mount.



Behind-the-keyboard scanner bracket mount.



UL180P-W3-KUB-AS1
Ultra 180 shown with Dual Monitors, Flip Up Keyboard Tray, and AS1 extension mounted at the front of the arm.



DUAL ULTRA 180 WORKSTATION
Monitor and WorkSurface Tray mounted on separate Ultra 180 arms with A1 extensions.

Keyboard Options

FLIP UP KEYBOARD TRAY DIMENSIONS

Tray width	19" (48 cm)
Tray depth	9.5" (24 cm)
Mouse tray extension	9.75" (24.7 cm)
Mouse tray depth	7.25" (18.4 cm)
Stowed depth	9.5" (24 cm)



KEYBOARD ULTRA SLIDE DIMENSIONS

Tray width	20.5" (52 cm)
Tray depth	10" (25.4 cm)
Tray depth with keyboard tray extended	16.5" (42 cm)
Mouse tray extension	9.75" (24.7 cm)
Mouse tray depth	7.25" (18.4 cm)
Stowed depth	10" (25.4 cm)



LAPTOP TRAY DIMENSIONS

Tray width	16.375" (41.6 cm)
Tray depth	13.75" (35 cm)



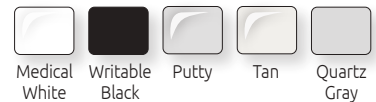
Device Mount

The Ultra 180 and 182 are ideal for mounting medical and manufacturing/industrial devices. We can attach to any device.

With these mounts' unsurpassed range of motion, you can position your device exactly where you want it.

These mounts are strong and can support up to 32 lbs (14.5 kg).

Available in these 5 standard colors and 9 custom colors.



ICWUSA.com, Inc.
1487 Kingsley Drive
Medford, OR 97504
800-558-4435