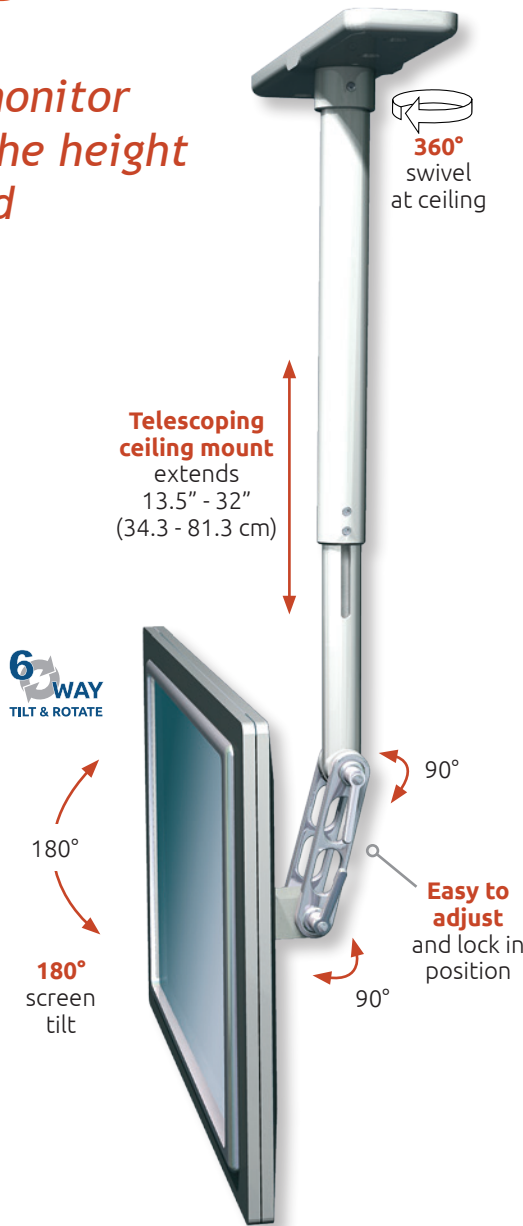


Position your monitor to exactly the height you need



Ultra secure
The Ultra 95 ceiling mount is secured to a stud in the ceiling using four countersunk wood screws that are provided with the unit.



Extension pipe options
Pipe extensions 12" 24"



Ceiling mount frees up precious wall space

- The Ultra 95 mounts securely from the ceiling with a telescoping pipe, making it an excellent choice for healthcare environments.
- Patients are able to view the LCD screen even while lying down.
- This arm provides 360° of rotation and 180° of monitor tilt.
- Telescoping ceiling mount extends 13.5" - 32" (34.3 - 81.3 cm) from the ceiling and securely holds most flat panel monitors.
- Machined from billet aluminum, the unit is powder coated for a durable, lasting finish.
- Hand assembly ensures that a quality product is shipped to you.

Monitor not included

Vertical Adjust	Screen Swivel	Screen Tilt	Arm Swivel
18.5" (47 cm)	360°	180°	360°

- Load capacity:** 18 lbs (8.16 kg)
- Lift distance:** 18.5" (47 cm)
- Screen swivel:** 360° at the ceiling
- Screen tilt:** 180°
- VESA interface:** 75 mm and 100 mm

Need a custom solution? Contact your ICW Rep for more information.

Select a color

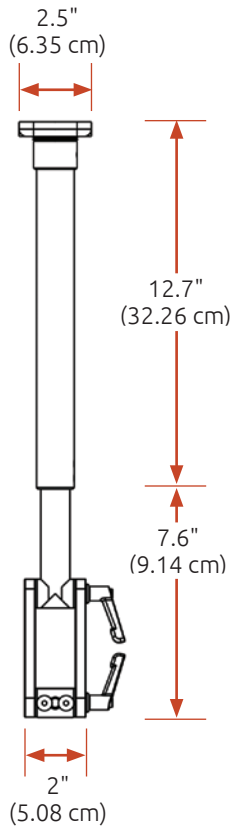
Specify one of our durable powder coating finishes with your order:

Gloss White (MW), Writable Black (WB), A-dec Tan (T), Pelton Putty (P), and Quartz Gray (QG)

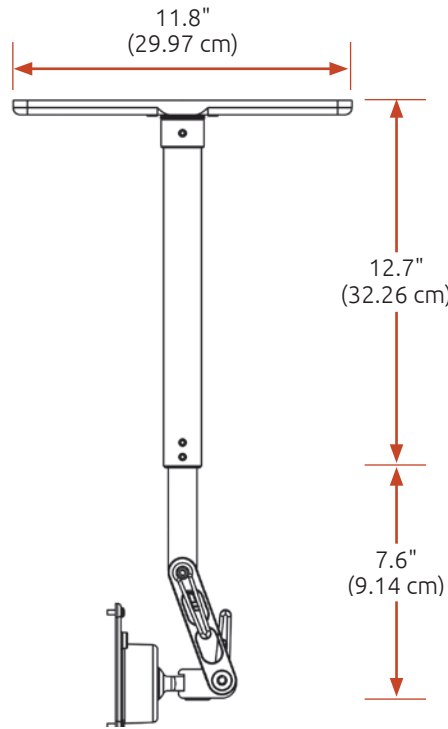


Range of Motion and Dimensional Drawings

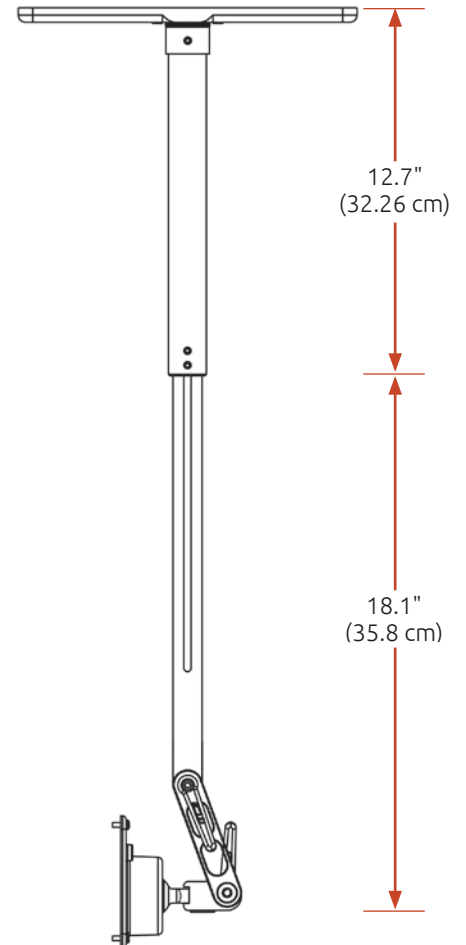
FRONT



SIDE UNEXTENDED



SIDE EXTENDED



CEILING BRACKET

