



Case secures with an easy-access hand knob.



Case can also be secured with a theft-resistant fastener and key.

## Protective mount for small form-factor computers

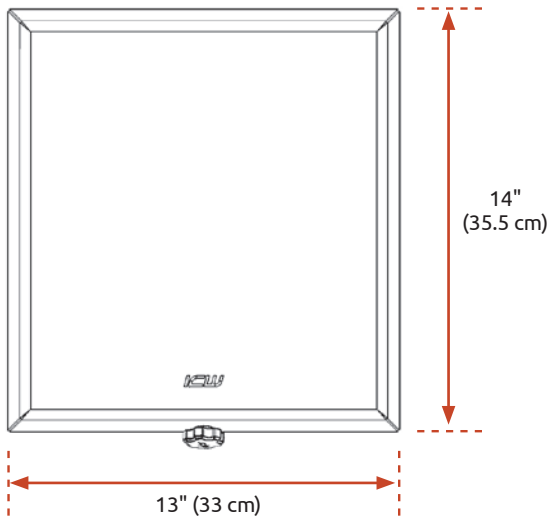
### *Sleek, sturdy case protects and conceals components*

- HOLDS a wide range of small form-factor computers that are compatible with 75 mm or 100 mm vesa patterns.
- FITS small form-factor computers up to 8" wide x 9" high x 2" deep (20.3 cm x 22.8 cm x 5 cm).
- COVER swings open and lifts off for easy access to interior components, simplifying hardware installation and maintenance.
- CASE secures with an easy-access hand knob or a theft-resistant fastener with special key.
- CABLES are neatly stowed inside the case and exit through either top or bottom wire ports.
- VENTILATION ports on each side prevent overheating of internal components while protecting them from liquids such as cleaning sprays.
- VESA plate attaches to the CPU12 case using a keyhole connector. To remove the small form-factor computer from the case, simply disconnect cables and lift the computer up and out. No tools are necessary.

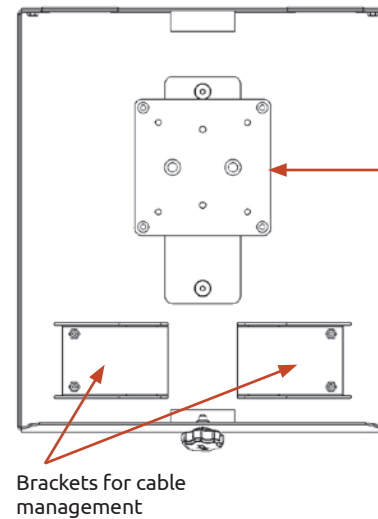
*Computer, cables and power converter not included.*

# Dimension Drawings

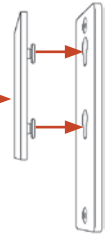
FRONT VIEW: Exterior



FRONT VIEW: Interior

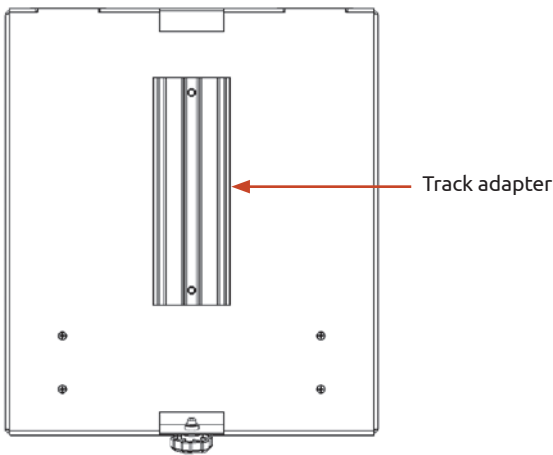


Keyhole Connector

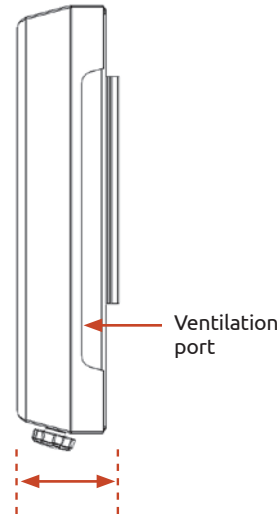


The vesa plate attaches to the CPU12 case using a keyhole connector. To remove the small form-factor computer from the case, simply disconnect cables and lift the computer up and out. No tools are necessary.

BACK VIEW: Exterior

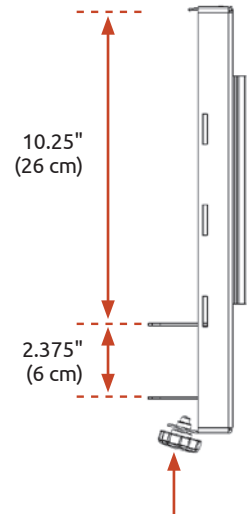


SIDE VIEW: Exterior



3" (7.6 cm) mounted to wall  
3.7" (9.4 cm) mounted to wall track

SIDE VIEW: Interior



Case secures with Easy-access hand knob or Theft-resistant fastener with special key



ICWUSA.com, Inc.  
1487 Kingsley Drive  
Medford, OR 97504  
800-558-4435

Available in these 5 standard colors and 9 custom colors.

