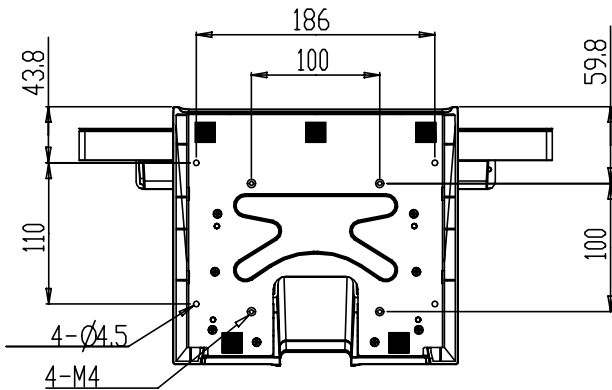
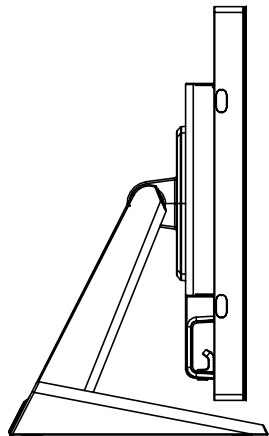
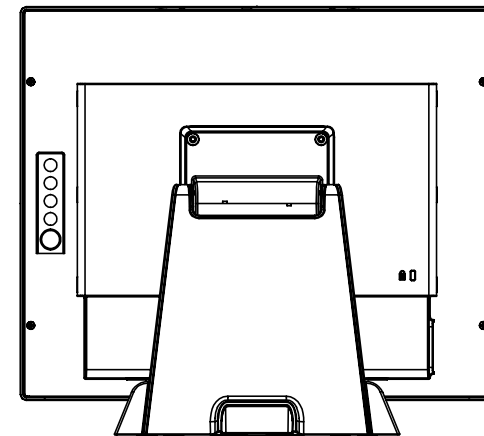
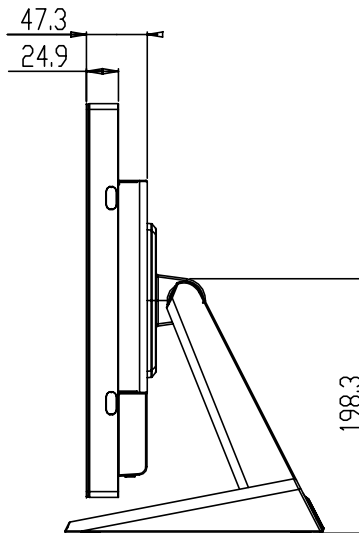
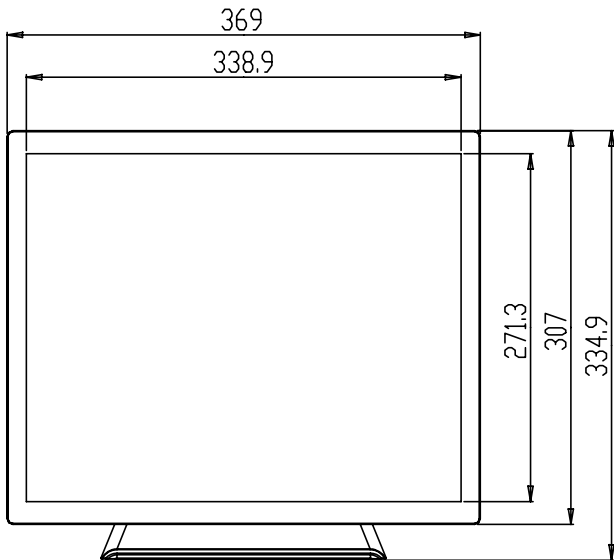
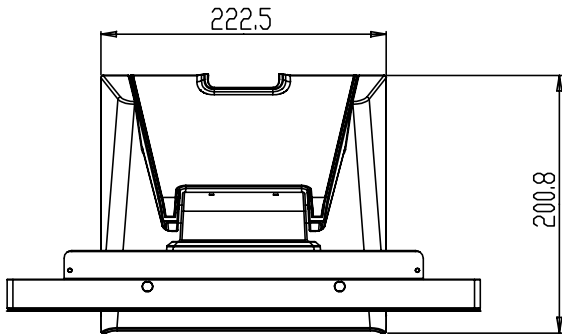


REVISIONS				
ECN	REV.	DESCRIPTION	DATE	APPROVED



TES CONFIDENTIAL									
UNLESS OTHERWISE SPECIFIED THIS DRAWING IS THE PROPERTY OF TES CORPORATION. ALL RIGHTS RESERVED.					TES Touch Embedded Solutions, Inc.				
ITEM	NEXT ASSY	USED IN	SCALE	DATE	APPROVALS	DATE	PART NAME	TSM-17H	
APPLICATION		DESIGNED BY	CHECKED BY	DATE	DATE	DATE	TSM-17H		
THIRD ANGLE PROJECTION		DESIGNED BY	CHECKED BY	DATE	DATE	DATE	REV.	REV.	
DO NOT SCALE DRAWING									
0.500							SHEET 1 OF 1		REV.