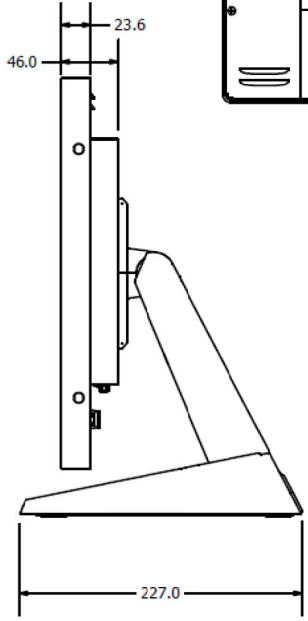
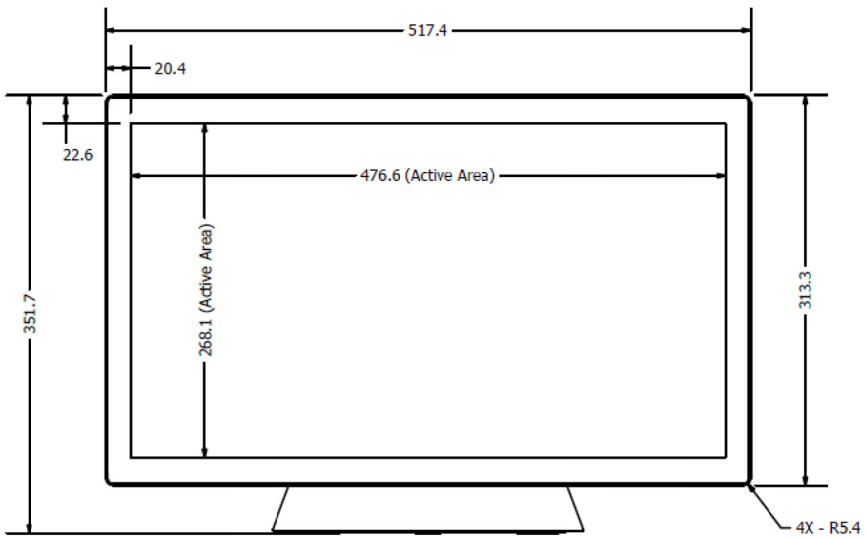
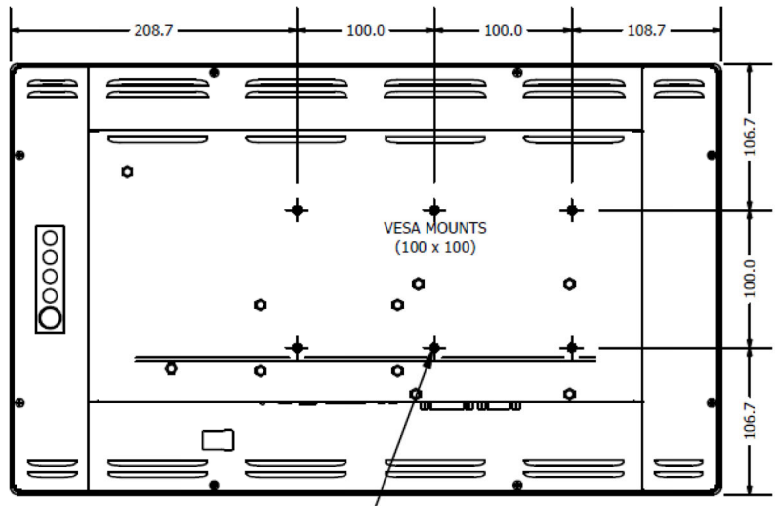
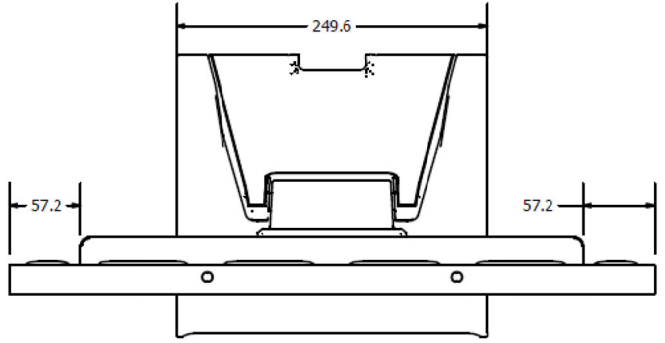


A | B | C | D | E | F | G | H | I

REVISIONS				
ECN	REV.	DESCRIPTION	DATE	APPROVED



Standard Landscape Mounting Position

ACAD FILE			UNLESS OTHERWISE SPECIFIED THIS DRAWING(SPECIFICATION) IS THE PROPERTY OF TES CORPORATION ALL RIGHTS RESERVED		CONFIDENTIAL	
ITEM	NEXT ASSY	USED ON	INCHES DECIMALS	METRIC SEE TABLE	APPROVALS	DATE
					DRAWN: Grant	07-05-16
APPLICATION			ANGLE:	MATERIAL	COLOR	CHECKED:
						ISSUED:
			DO NOT SCALE DRAWING			
				PART NAME		SK-215P-A1
				SIZE	DWG. NO.	REV
				SCALE	DRAWING SCALE	SHEET 1 OF 1

