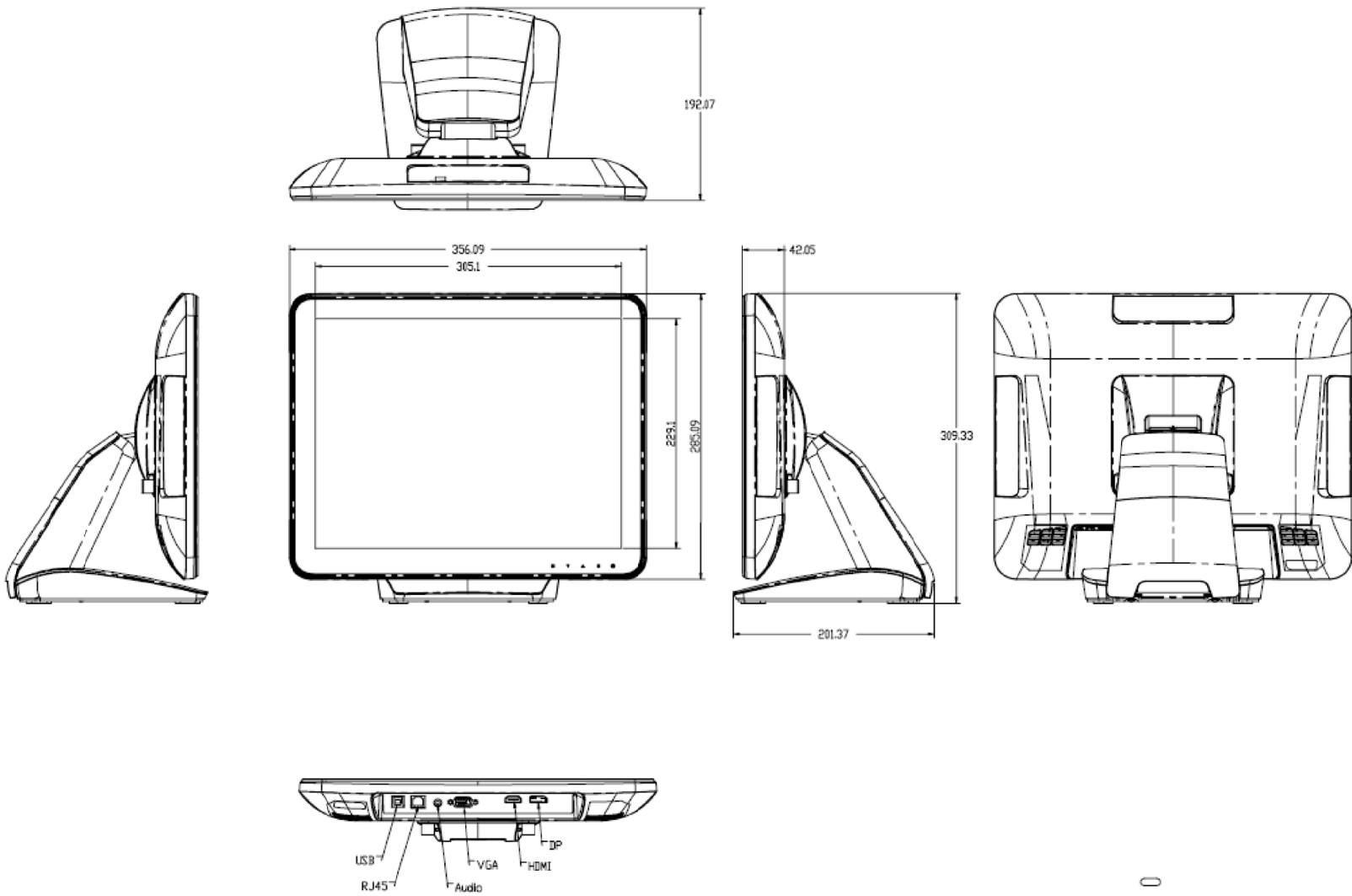


A | B | C | D | E | F | G | H | I

REVISIONS				
ECN	REV.	DESCRIPTION	DATE	APPROVED



ACAD FILE		CONFIDENTIAL	
UNLESS OTHERWISE SPECIFIED DIMENSION ARE IN INCHES DECIMALS		THIS DRAWING(SPECIFICATION) IS THE PROPERTY OF TES CORPORATION ALL RIGHTS RESERVED	
ITEM	NEXT ASSY	USED ON	APPROVALS DATE
			DRAWN Grant 07-05-16
APPLICATION		CHECKED:	
		ISSUED:	
MATERIAL		COLOR	
DO NOT SCALE DRAWING		SCALE	DRAWING SCALE SHEET 1 OF 1
PART NAME		DT-150P-A1	
SIZE LTR		REV A	

