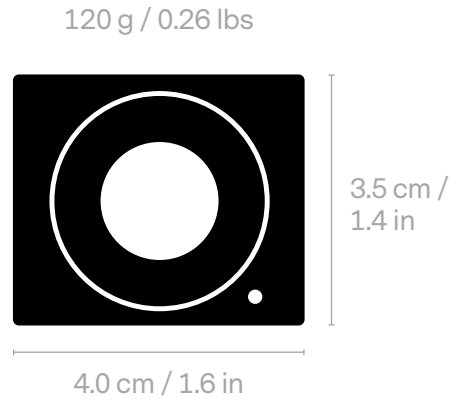


# Huddly IQ

## Spec Sheet



### Features

- Genius Framing
- Huddly InSights analytics API
- High-quality scaling and dewarping
- 3D Noise Reduction
- Automatic white balance and color correction
- Optical aberration correction
- 4x digital zoom
- Low latency video processing
- High performance and lossless audio pickup

### Image

- 12 Megapixels 1/2.3" CMOS Sensor
- 1080p Full HD @ 30 fps
- 720p HD @ 30 fps
- 16:9 aspect ratio output
- UVC 1.1 Plug & Play Compatible
- MJPEG, YUV 4:2:2 and 4:2:0 support over USB 3
- MJPEG support over USB 2

### Connection Types

- USB Type-C connector
- SuperSpeed USB 3
- HighSpeed USB 2\*
- Power requirement 5V 900mA

### Optics

- Ultra-wide angle glass optics
- Horizontal field of view 120°
- Vertical field of view 90°
- Diagonal field of view 150°
- f/2.8 aperture

### Hardware Specifications

- Aluminium unibody construction
- High-performance video processing engine
- Neural compute engine
- Beamforming microphone array
- Embedded mounting hinge
- Camera tripod mount

### Color

Matte Black

### Limited Edition Colors

Steel Blue, Titanium Gray, Dark Rose

\*Requires 5V 900 mA power supply

# Huddly IQ

## Features

### **Convolutional Neural Network**

Multi-layered CNN design allows IQ to instantly identify visual patterns, and detect people and objects

### **Neural Compute Engine based on Intel Movidius MyriadX**

Edge-based Machine Learning platform that enables onboard intelligent features such as Genius Framing and InSights analytics

### **Genius Framing**

Genius Framing detects the people in the camera's field of view and smoothly zooms in to frame them perfectly for the far end

### **Huddly InSights Analytics API**

IQ can detect and count people within its field of view, with high-quality analytics data accessible via the Huddly InSights API

### **Security and Privacy**

All data processing takes place on the camera without the need to be sent to a computer or the cloud

### **Dynamic Light Optimization**

Adapts to poor lighting conditions

### **Visual Noise Filtering**

Bias compensating spatio-temporal filtering with wide area chroma filtering

### **Real-Time Dewarping**

The wide-angle image is dewarped and perspective corrected in real time, rendering a natural, true-to-life view

### **Beamforming Microphone Array**

The built-in beamforming microphone array makes sure everyone is heard loud and clear

### **Software-upgradable**

Designed to get even smarter over time with regular enhancements and new intelligent feature releases

### **180° Auto-Flip**

When mounted upside down, the camera automatically provides the correct view

### **Digital Pan/Tilt/Zoom**

Huddly IQ has no moving parts, making it compact and silent, as well as more reliable and accurate. Instantly pan, tilt and zoom digitally up to 4 times