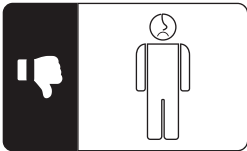
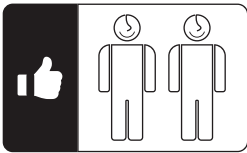




ROLLING STAND

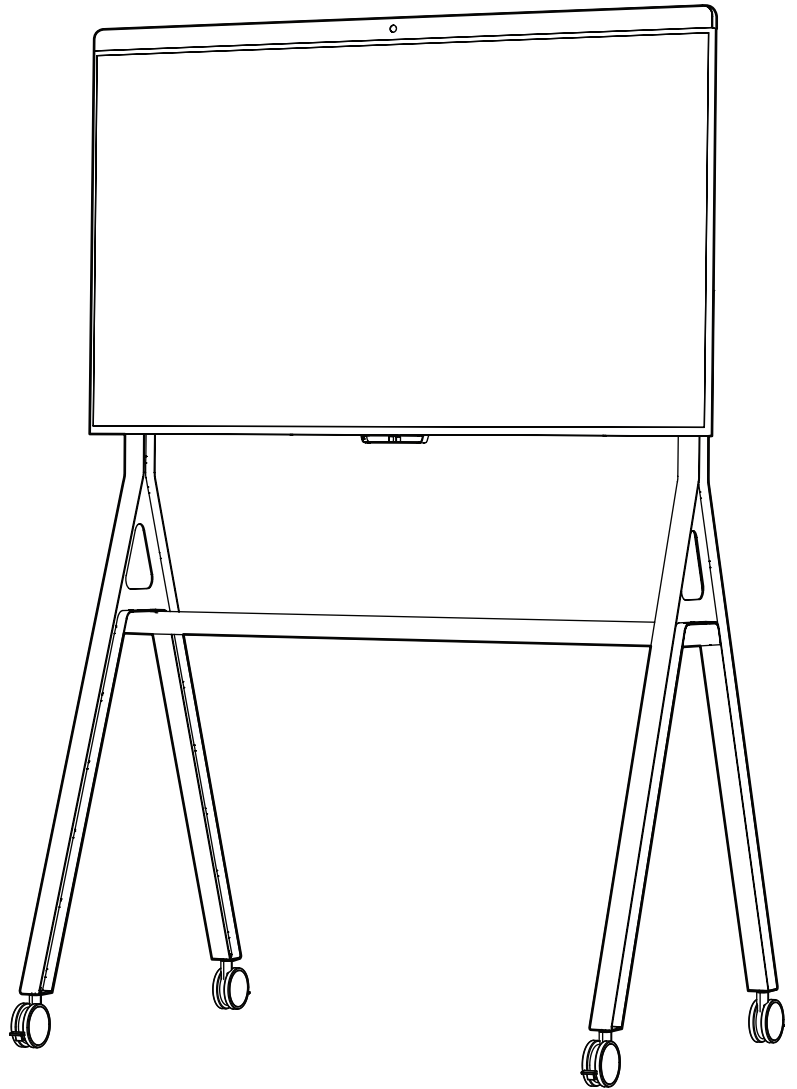
for DTEN Board D7 55"

Assembly & Installation



 Please have two people to assemble the Rolling Stand and to mount the display.

 For any questions or issues, please contact service@hecklerdesign.com.



Compatible with

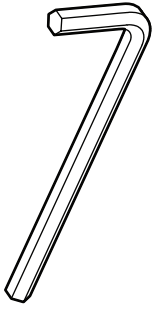
DTEN Board D7 55"

Limited Warranty

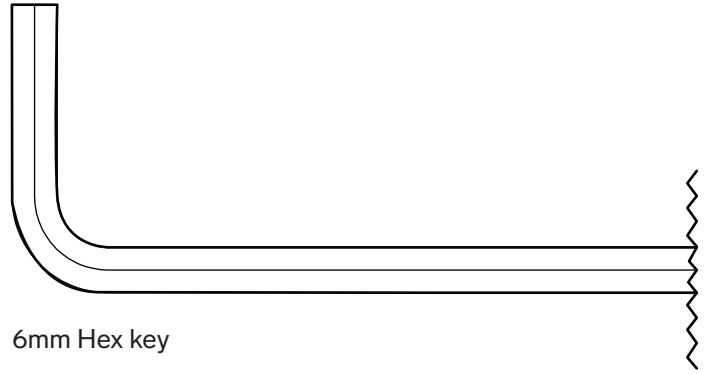
Heckler Design warrants your product hardware to be free from defects in material and workmanship throughout the life of the product, and electronic components for a period of one year from the original date of purchase. If you discover a defect in a product covered by this warranty, we will repair at our option using new or refurbished components, or if repair is not possible, replace the item. We reserve the right to request order numbers, receipts, and other supplemental order information as proof of purchase to validate warranty claims.

1:1

1x

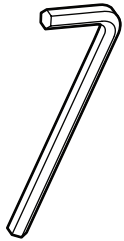


F535



6mm Hex key

1x



F674



4mm Hex key

1x

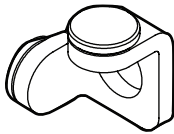


F180



1/8" Hex Key

4x



Cable Manager

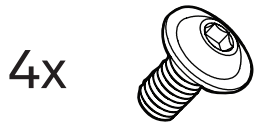
2x



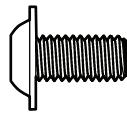
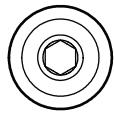
F530



Cable Tie



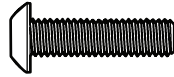
F694



Flange Button Head Screws



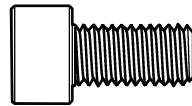
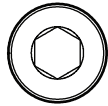
F693



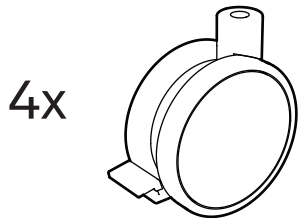
Button Head Screws



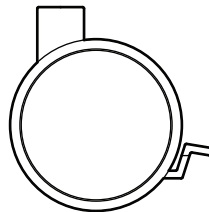
F534



Socket Head Screws

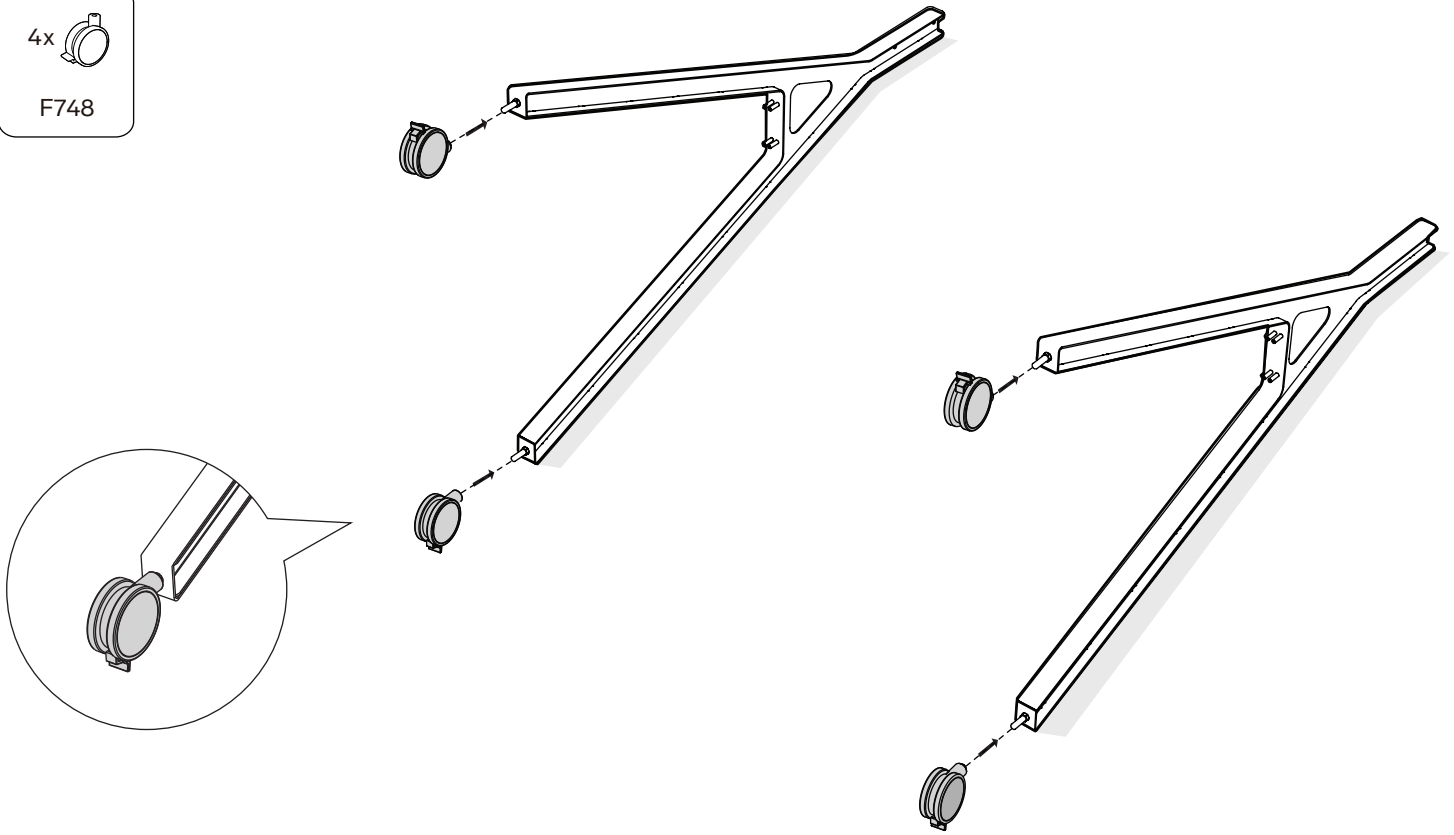
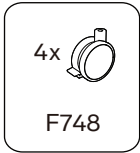


F748

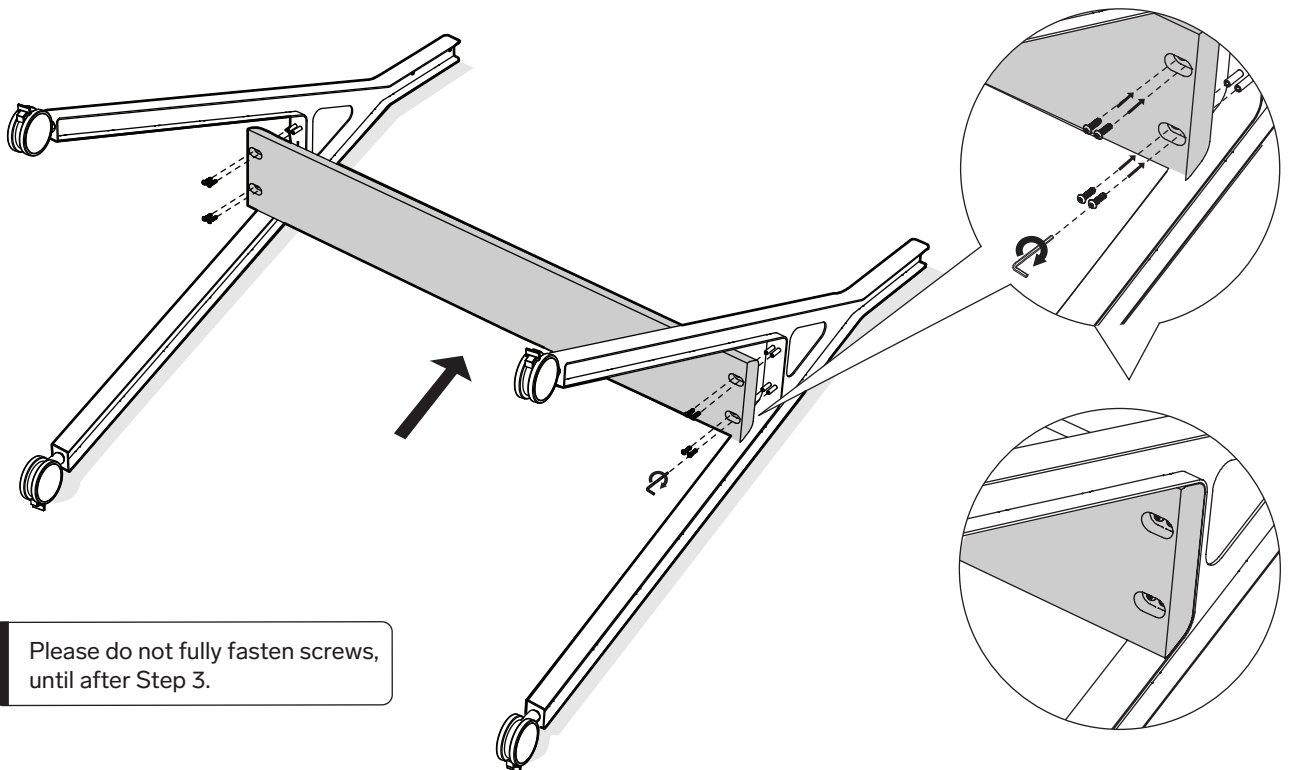


Caster

1 Lay down arms as shown and snap casters onto the posts.

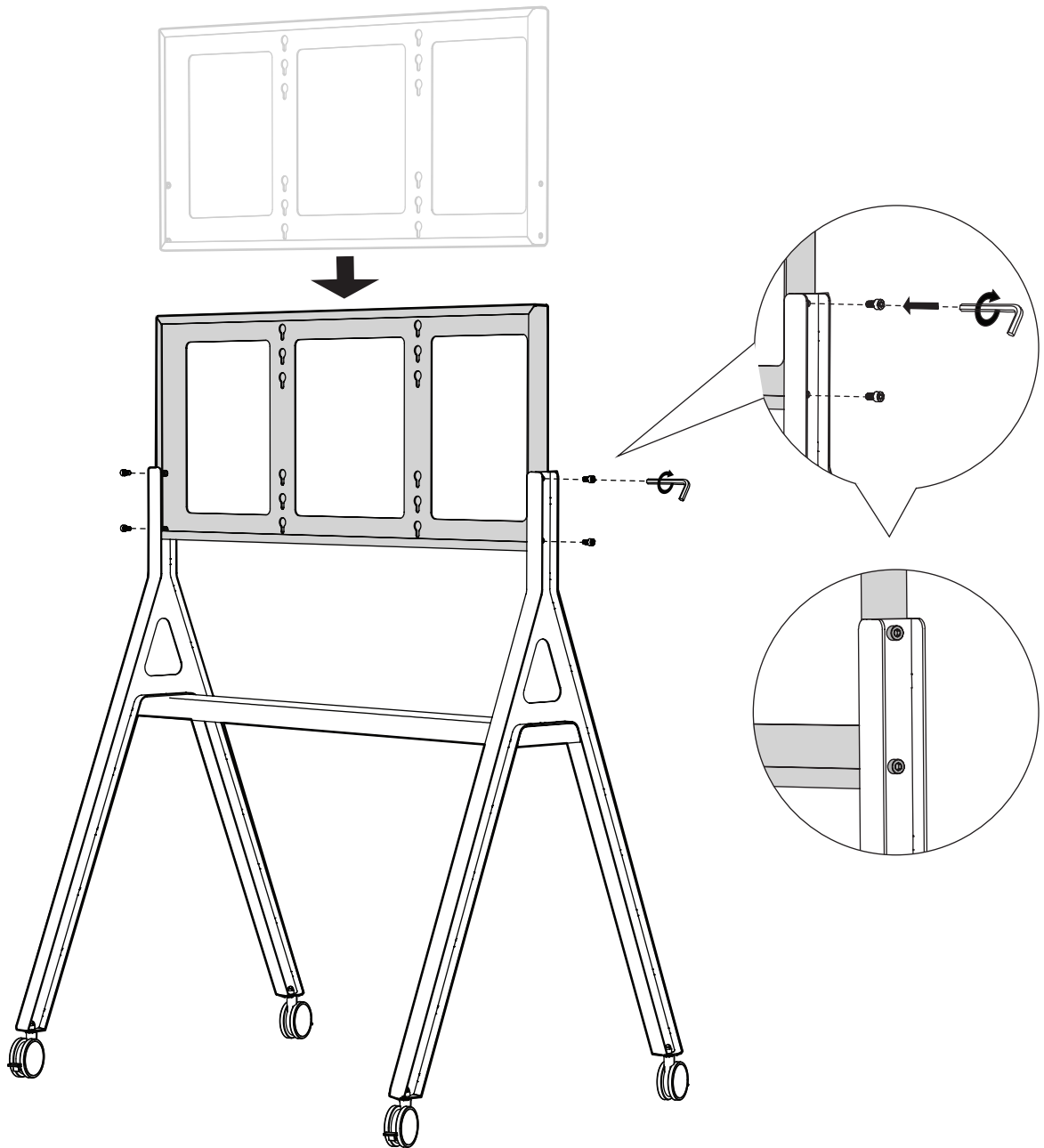
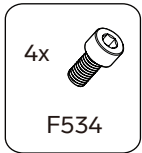



2 Assemble the wood shelf.




i Please do not fully fasten screws, until after Step 3.

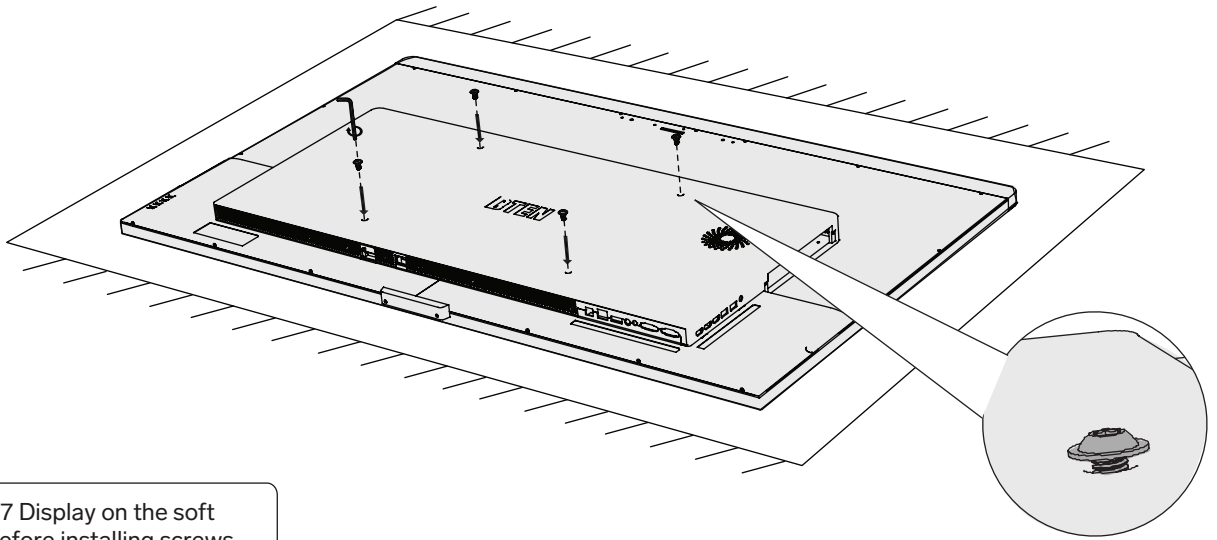
3 Upright the Rolling Stand, slide the bracket in place, and fasten screws.





 Engage all caster brakes before installing the bracket.

 Tightly fasten all bracket and wood shelf screws.

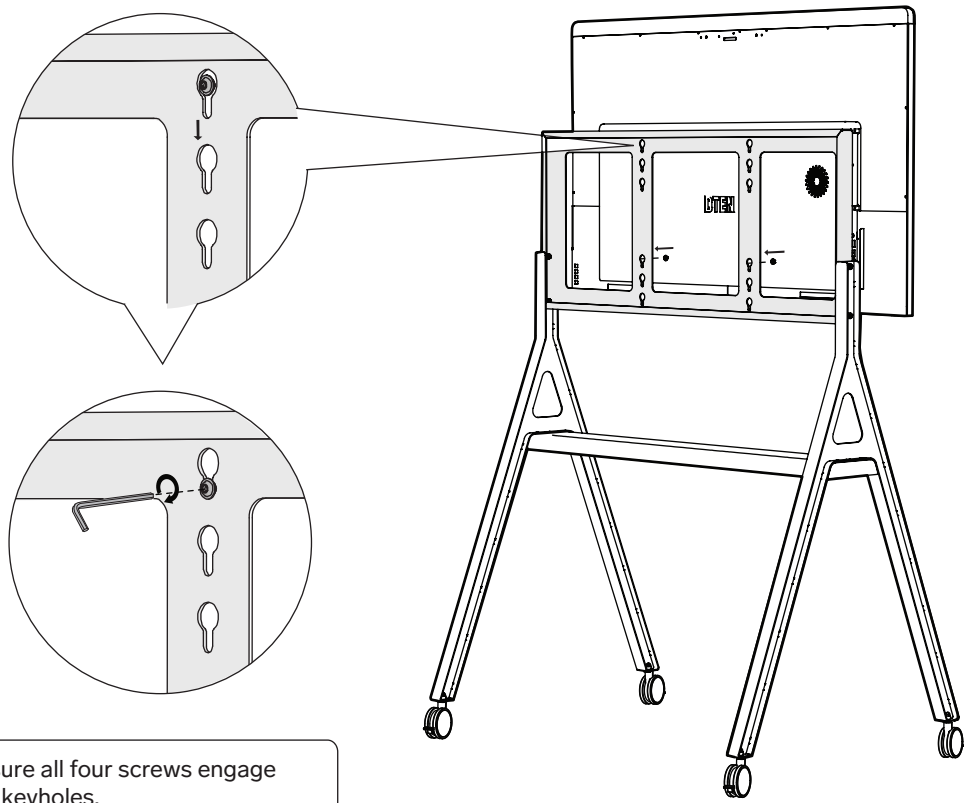
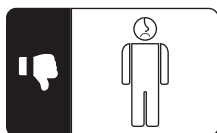
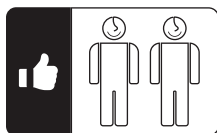
4 Partially fasten mounting screws to the back of the D7 Display.




 Put the D7 Display on the soft surface before installing screws.

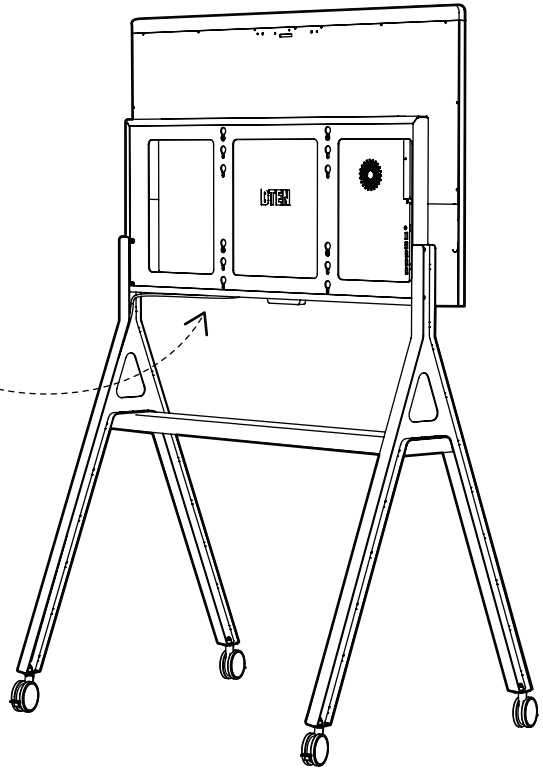
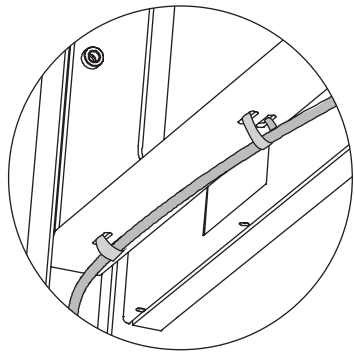
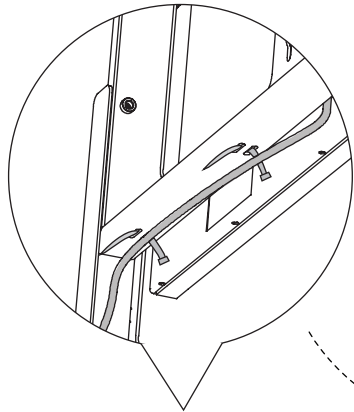
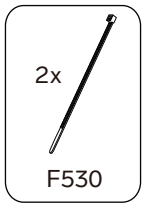
 Please leave some space between TV and screws.

5 Hang the D7 Display through the keyhole and fasten screws.

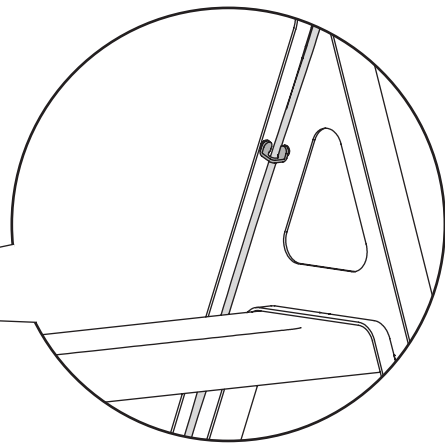
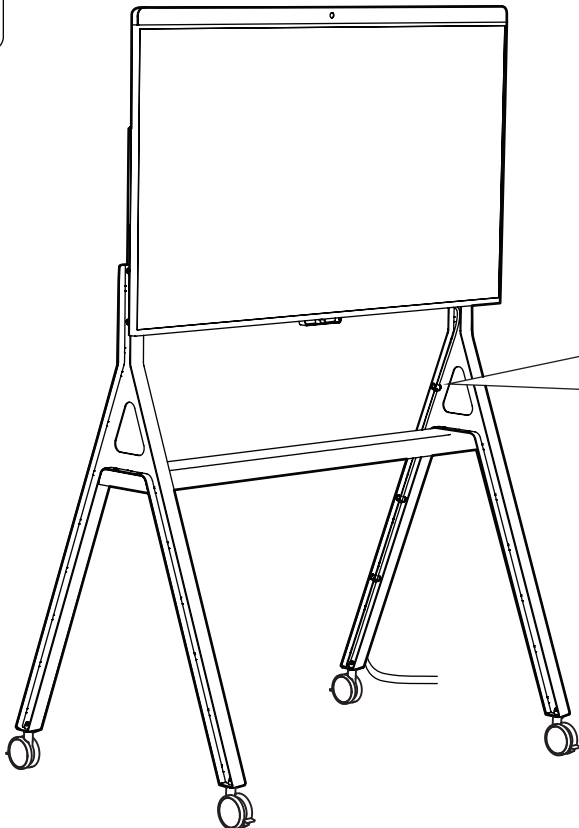
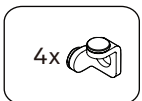


 Ensure all four screws engage the keyholes.

6 Route the power and Ethernet cables.



7 Install magnetic cable managers.



8 Assembly complete

