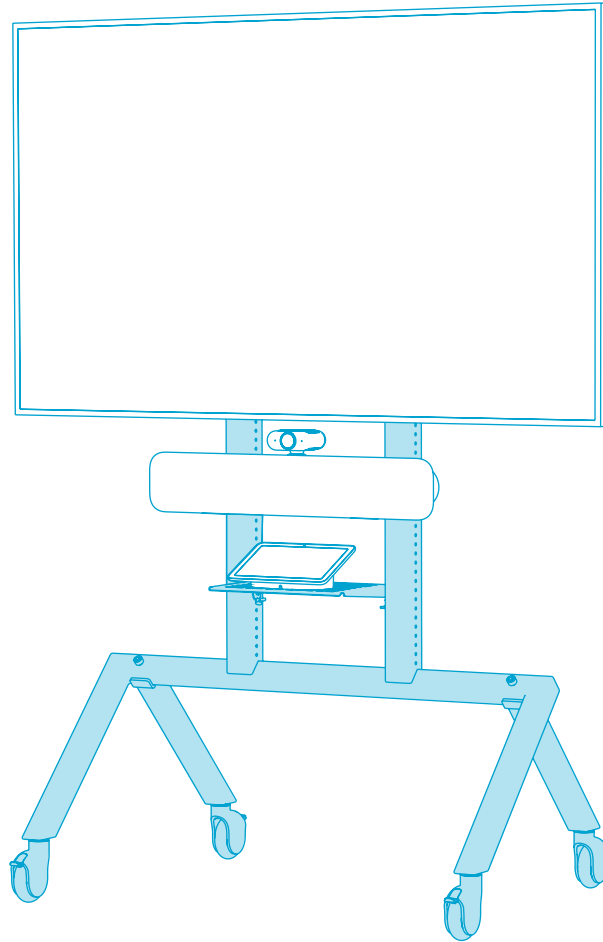


H720 - Heckler AV Cart for Google Meet Series One Room Kits

Supports displays with a VESA 400 (horizontal) mounting pattern, and up to 300 pounds of total display weight. Recommended for use with 50-inch to 75-inch displays.



To reduce the risk of severe injury or death to persons, or damage to equipment, review these installation safety steps before proceeding:

1. A minimum of two people should install the display to the cart.
2. Caster brakes should be applied during the installation of the display.
3. Do not over-tighten the wingnuts when mounting the display.
4. Do not exceed 300 pounds of total display weight.
5. Whenever rolling the cart with a large display installed, two people should guide the cart to prevent wall and doorframe collisions, and tripping on sidewalk expansion joints.

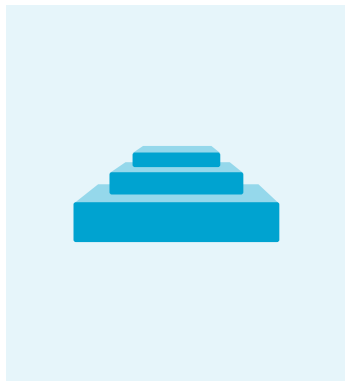
If you have any questions, please contact Heckler.

service@hecklerdesign.com

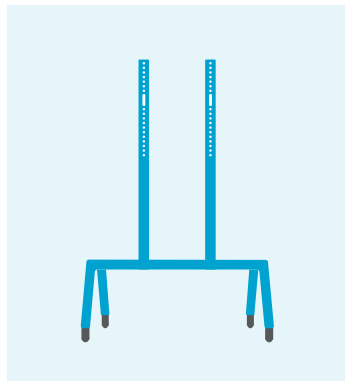
844-432-5930

QUICK START

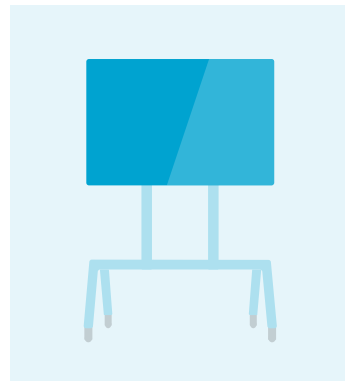
In the box 1



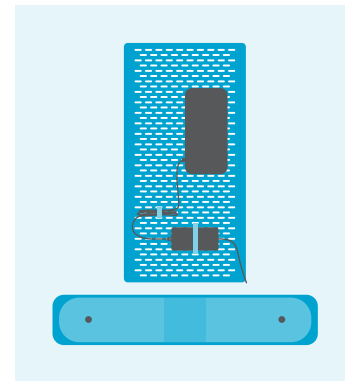
Set up the Base Cart 5



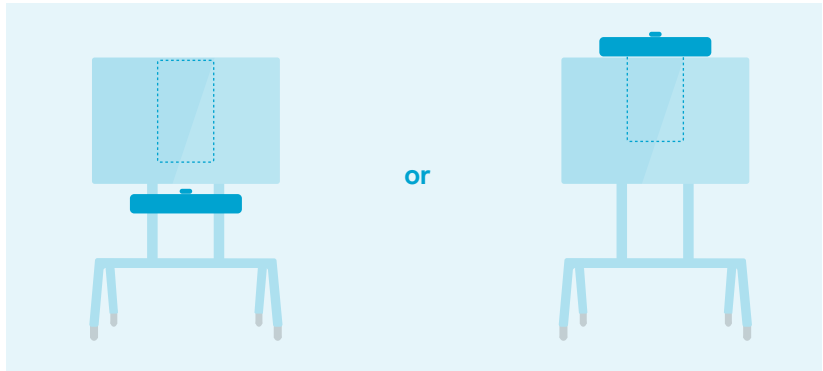
Install the display 11



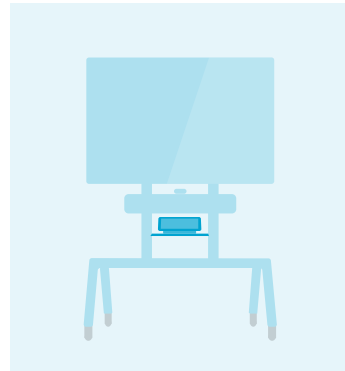
Configure Meet Compute System and Smart Audio Bar 17



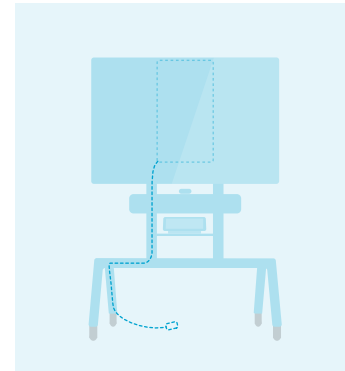
Install Meet Compute System and Smart Audio Bar 21



Install Touch Controller 30



Organize the cables 31



In the box

Set up the Base Cart

Install the display

Configure Meet
Compute System and
Smart Audio Bar

Install Meet Compute
System and Smart
Audio Bar

Install Smart Audio Bar
below the display

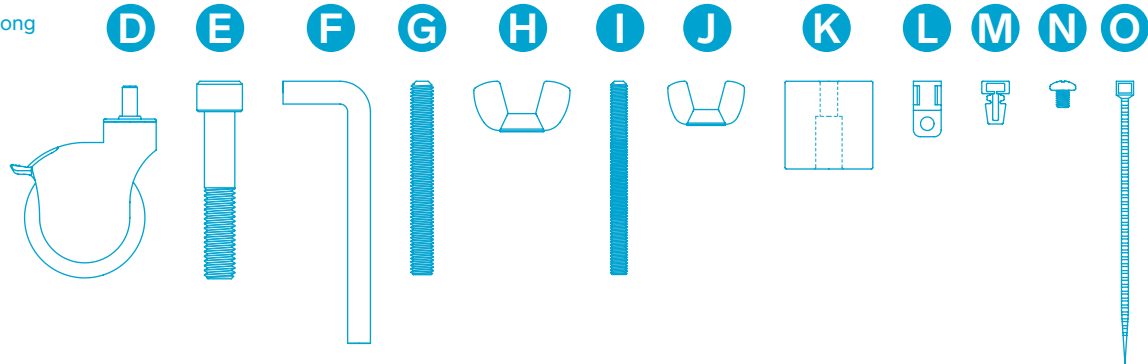
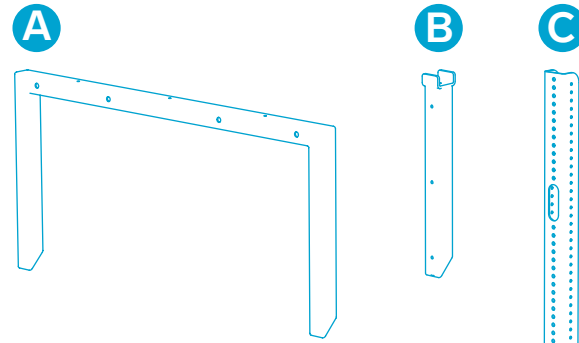
Install Smart Audio Bar
above the display

Install Touch Controller

Organize the cables

Heckler AV Cart Base

- A** 1 x Front Base
- B** 2 x Rear Leg
- C** 2 x Display Rail
- D** 4 x Caster
- E** 4 x Socket Head Screw, 1/2"-13, 2.75" Long
- F** 1 x Assembly Key, Hex, 3/8"
- G** 4 x Set Screw, M8, 70mm Long
- H** 4 x Wingnut, M8
- I** 4 x Set Screw, M6, 70mm Long
- J** 4 x Wingnut, M6
- K** 4 x Rubber Spacer
- L** 8 x Screw-in Cable Mount
- M** 4 x Push-in Cable Mount
- N** 8 x Pan Head Screw, 10-32, 0.25" Long
- O** 8 x Cable Tie



In the box

Set up the Base Cart

Install the display

Configure Meet
Compute System and
Smart Audio Bar

Install Meet Compute
System and Smart
Audio Bar

Install Smart Audio Bar
below the display

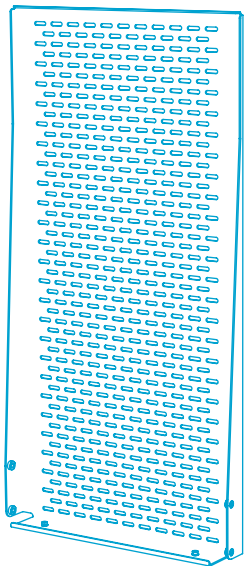
Install Smart Audio Bar
above the display

Install Touch Controller

Organize the cables

H708 Device Panel XL

- A** 1 x Device Panel XL for Heckler AV Cart
- B** 1 x Camera Adapter
- C** 2 x Cart-mounting screws
- D** 2 x Cart-mounting thumb screws
- E** 4 x Device-mounting thumb screws
- F** 4 x Device-mounting thumb nuts
- G** 1 x Camera-mounting screw
- H** 4 x Meet compute-mounting screws
- I** 1 x Camera-mounting key
- J** 1 x Cart-mounting assembly key
- K** 1 x Velcro for strapping devices. Two feet.



A



B

C



D



E



F



G



H



I



J



K



In the box

Set up the Base Cart

Install the display

Configure Meet
Compute System and
Smart Audio Bar

Install Meet Compute
System and Smart
Audio Bar

Install Smart Audio Bar
below the display

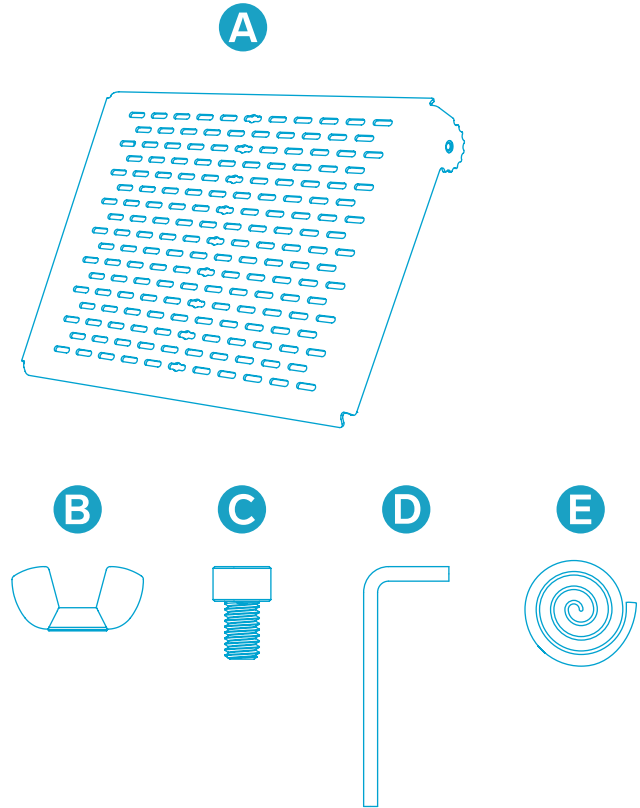
Install Smart Audio Bar
above the display

Install Touch Controller

Organize the cables

H709 Control Shelf

- A** 1 x Control Shelf for Heckler AV Cart
- B** 2 x Cart-mounting wingnuts
- C** 4 x Cart-mounting screws
- D** 1 x Cart-mounting assembly key
- E** 1 x Velcro for strapping devices. 12 inches



In the box

Set up the Base Cart

Install the display

Configure Meet
Compute System and
Smart Audio Bar

Install Meet Compute
System and Smart
Audio Bar

Install Smart Audio Bar
below the display

Install Smart Audio Bar
above the display

Install Touch Controller

Organize the cables

H707 Soundbar Mount

- A** 2 x Soundbar Mounting Bracket
- B** 1 x Hex Key, 5mm
- C** 4 x Screw, M6, 10mm
- D** 4 x Wingnut, M6

M4 Soundbar-mounting Hardware

- E** 2 x Set Screw, M4, 20mm
- F** 2 x Wingnut, M4

M5 Soundbar-mounting Hardware

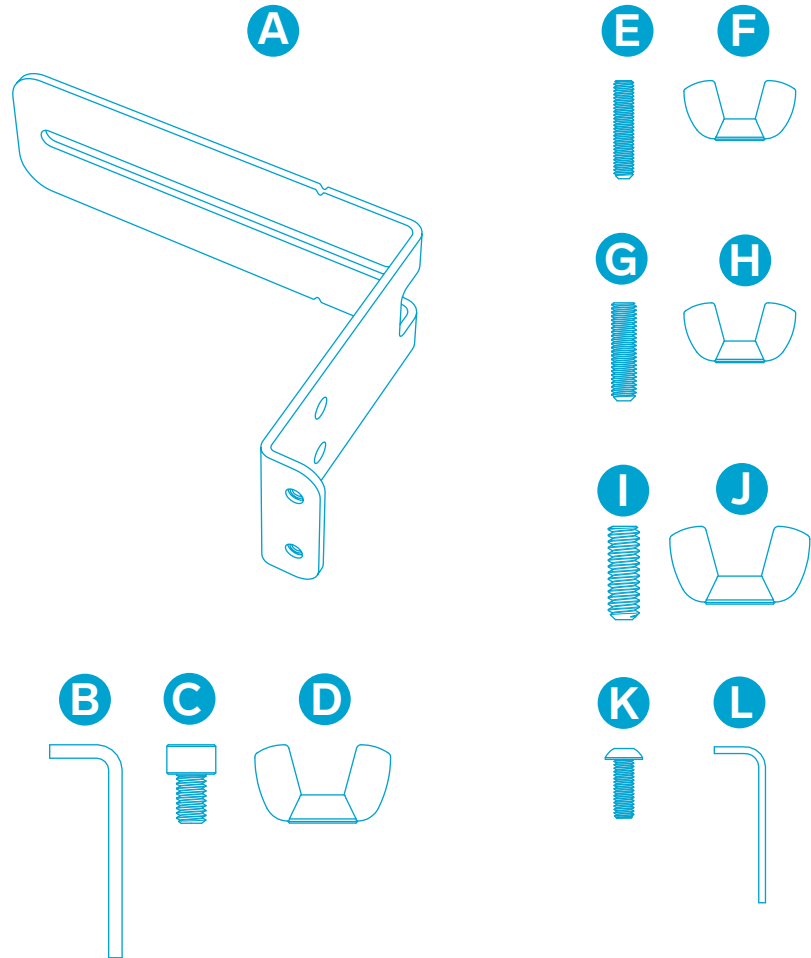
- G** 2 x Set Screw, M5, 20mm
- H** 2 x Wingnut, M5

1/4"-20 Soundbar-mounting Hardware

- I** 2 x Set Screw, 1/4-20, 3/4"
- J** 2 x Wingnut, 1/4-20

For Mounting to H708 Device Panel

- K** 4 x Screw, M4, 12mm
- L** 1 x Hex Key, 2.5mm



STEP 1

Remove the wheels from all four casters.

In the box

Set up the Base Cart

Install the display

Configure Meet
Compute System and
Smart Audio Bar

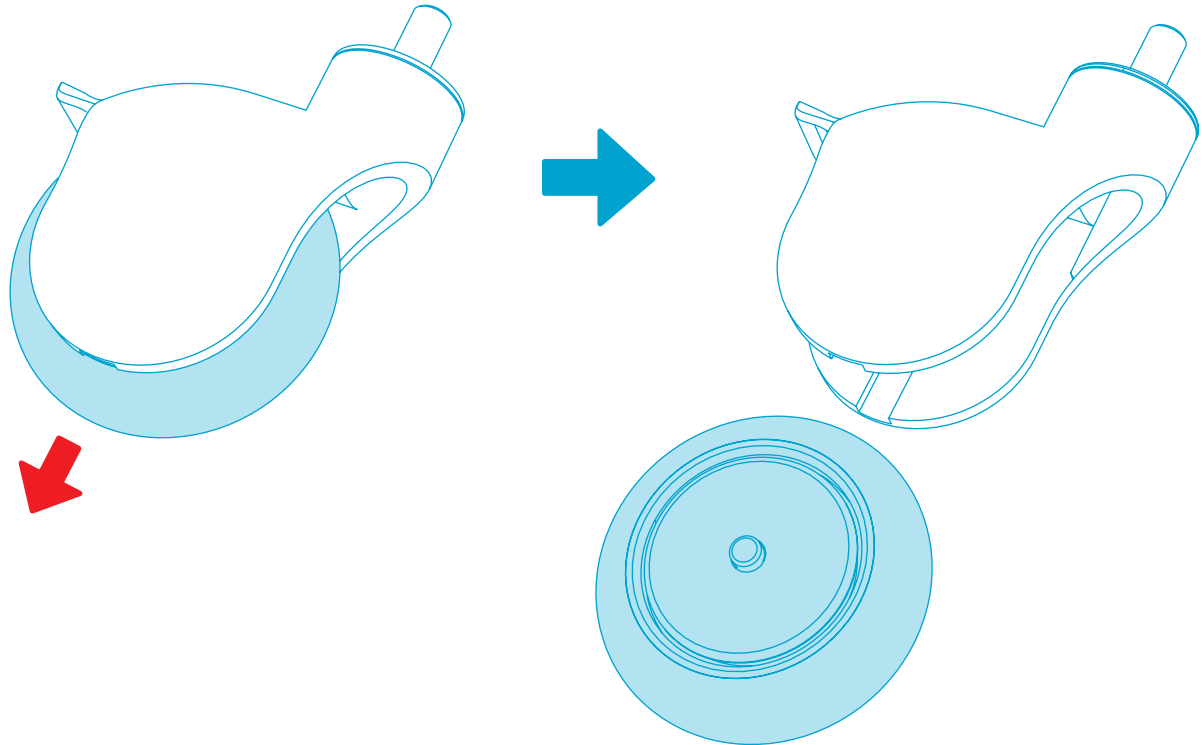
Install Meet Compute
System and Smart
Audio Bar

Install Smart Audio Bar
below the display

Install Smart Audio Bar
above the display

Install Touch Controller

Organize the cables



STEP 2

Install all casters.

In the box

Set up the Base Cart

Install the display

Configure Meet
Compute System and
Smart Audio Bar

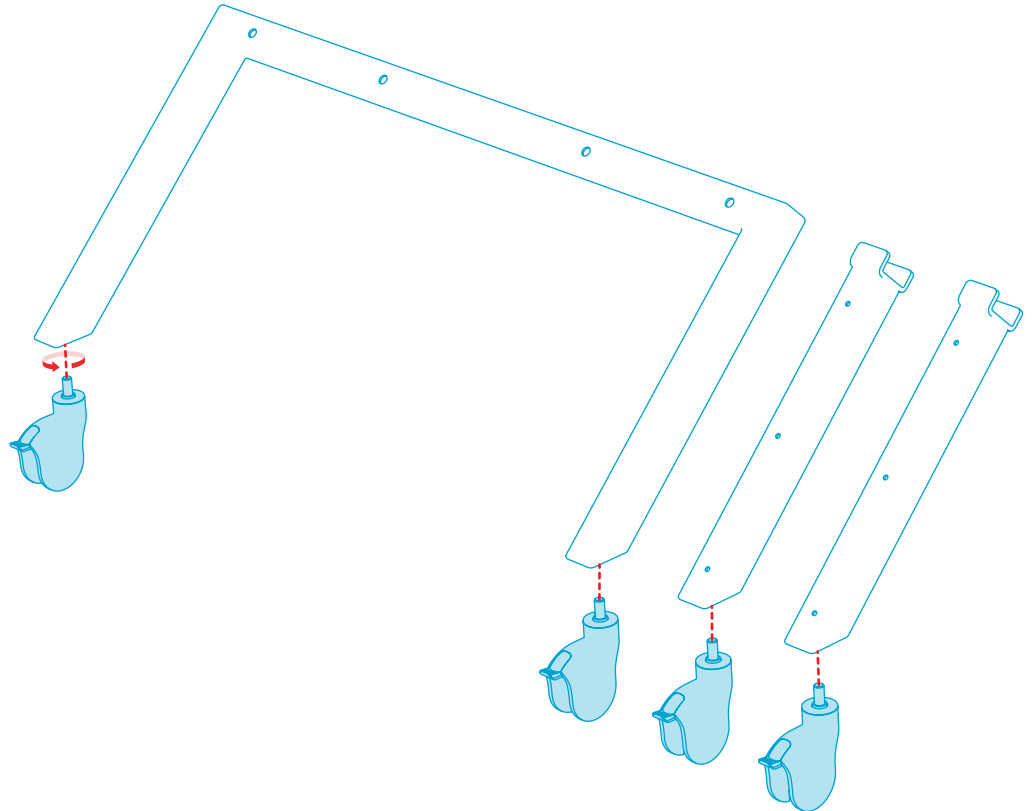
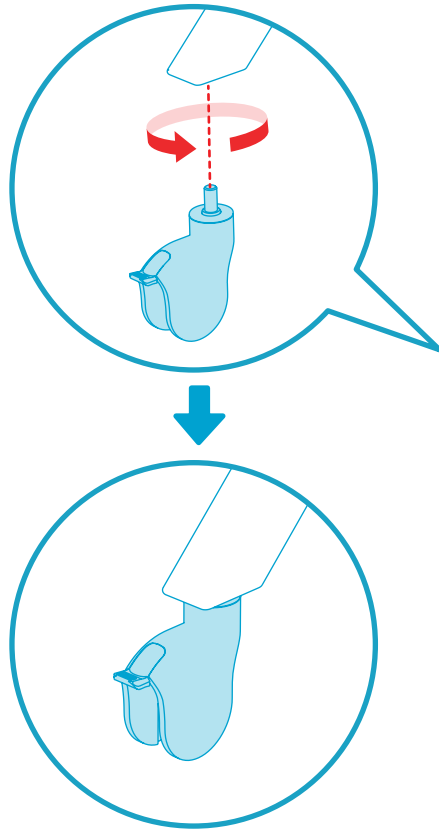
Install Meet Compute
System and Smart
Audio Bar

Install Smart Audio Bar
below the display

Install Smart Audio Bar
above the display

Install Touch Controller

Organize the cables



STEP 3

Reinstall caster wheels.

In the box

Set up the Base Cart

Install the display

Configure Meet
Compute System and
Smart Audio Bar

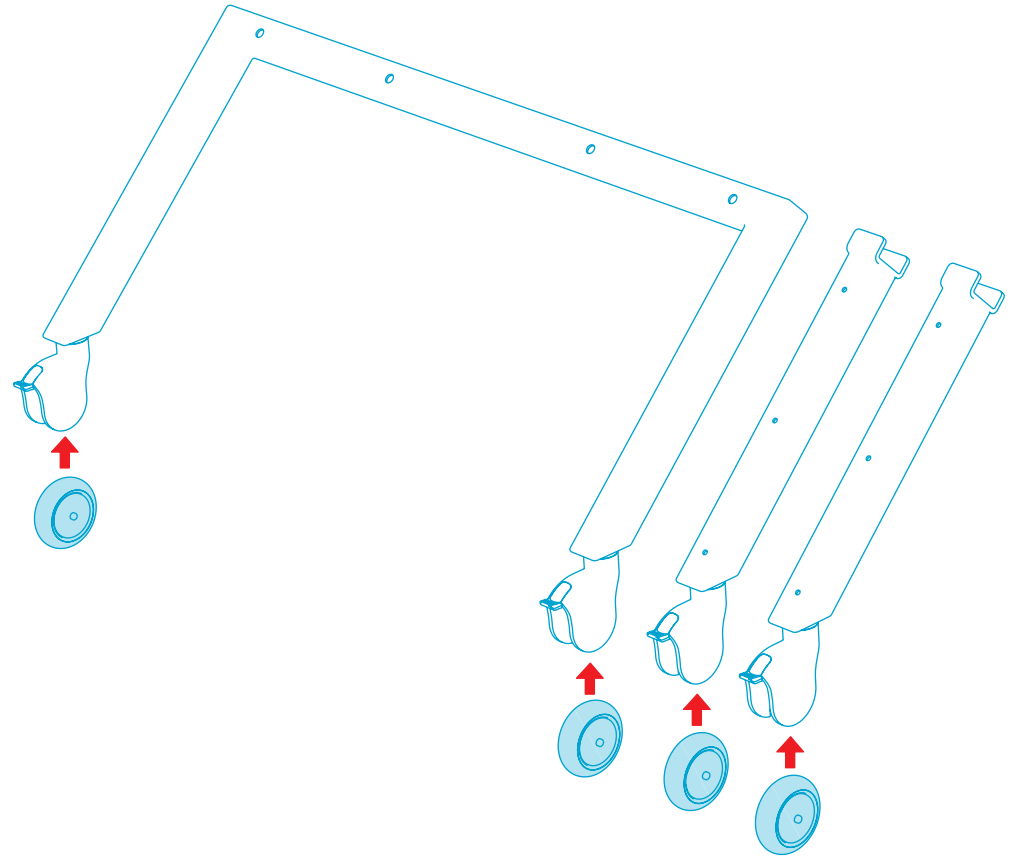
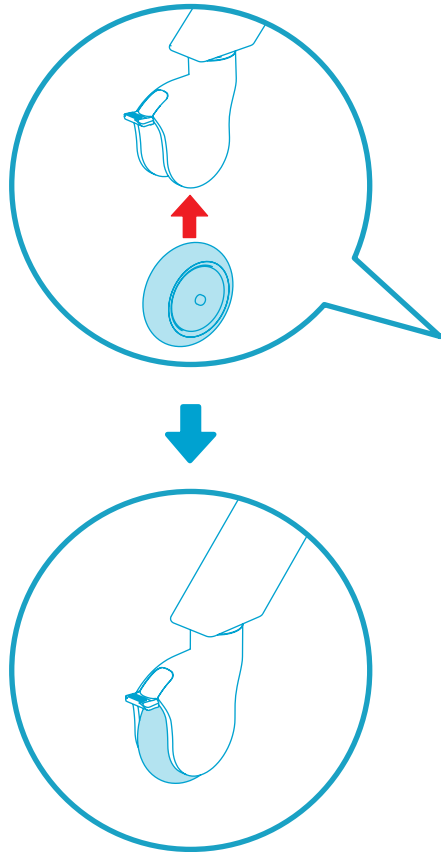
Install Meet Compute
System and Smart
Audio Bar

Install Smart Audio Bar
below the display

Install Smart Audio Bar
above the display

Install Touch Controller

Organize the cables



STEP 4

Engage all caster brakes.

In the box

Set up the Base Cart

Install the display

Configure Meet
Compute System and
Smart Audio Bar

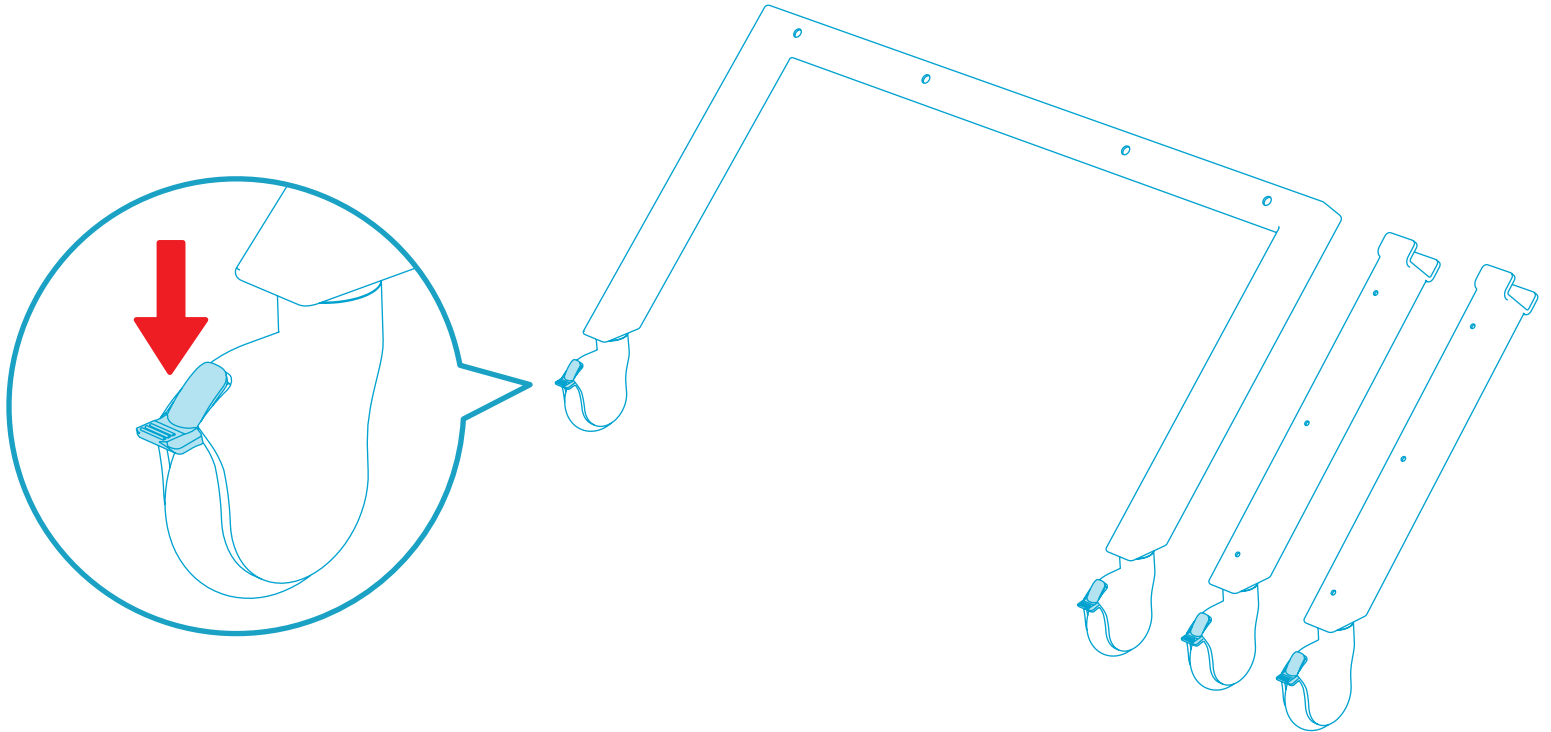
Install Meet Compute
System and Smart
Audio Bar

Install Smart Audio Bar
below the display

Install Smart Audio Bar
above the display

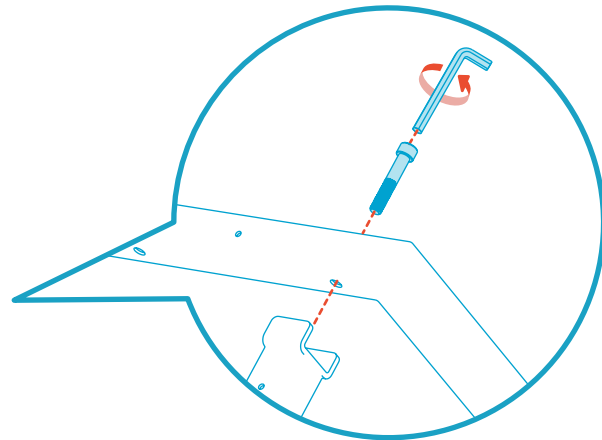
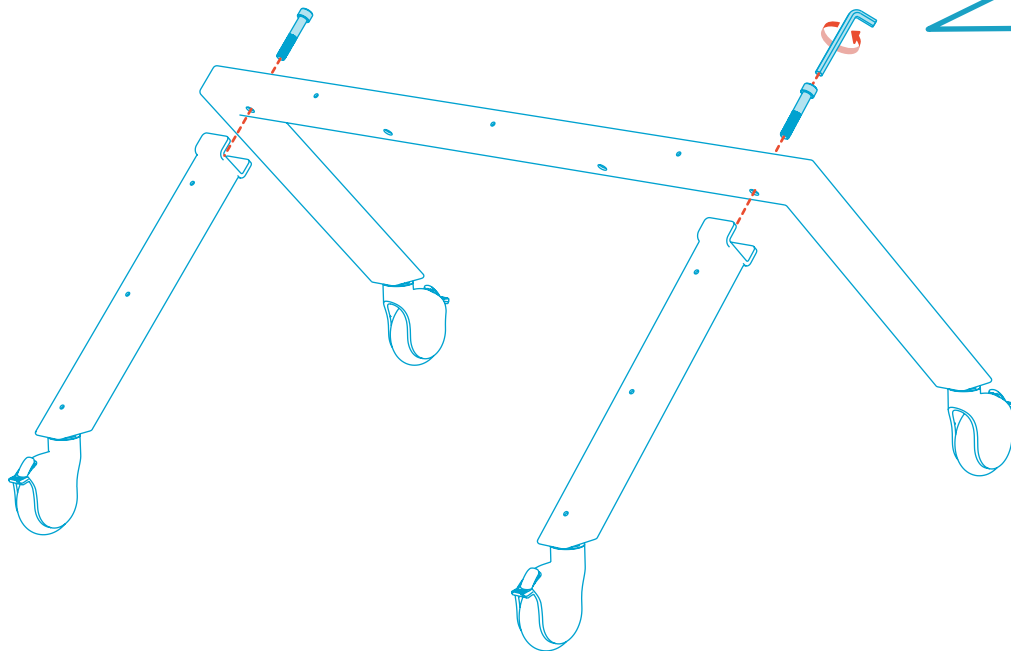
Install Touch Controller

Organize the cables



STEP 5

Fasten Rear Legs to Front Base.



In the box

Set up the Base Cart

Install the display

Configure Meet
Compute System and
Smart Audio Bar

Install Meet Compute
System and Smart
Audio Bar

Install Smart Audio Bar
below the display

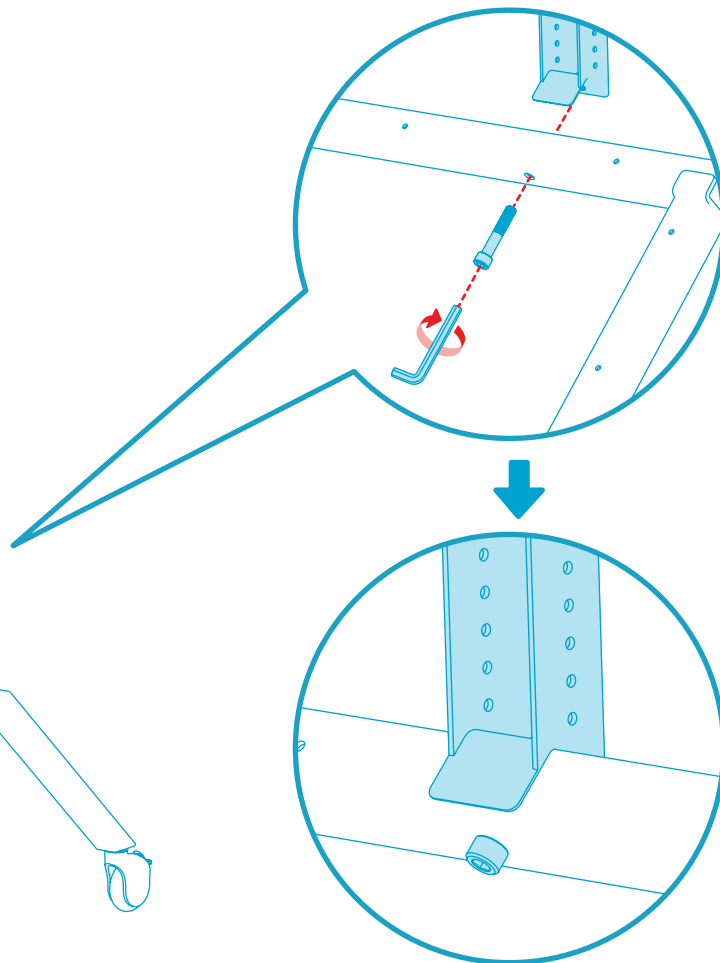
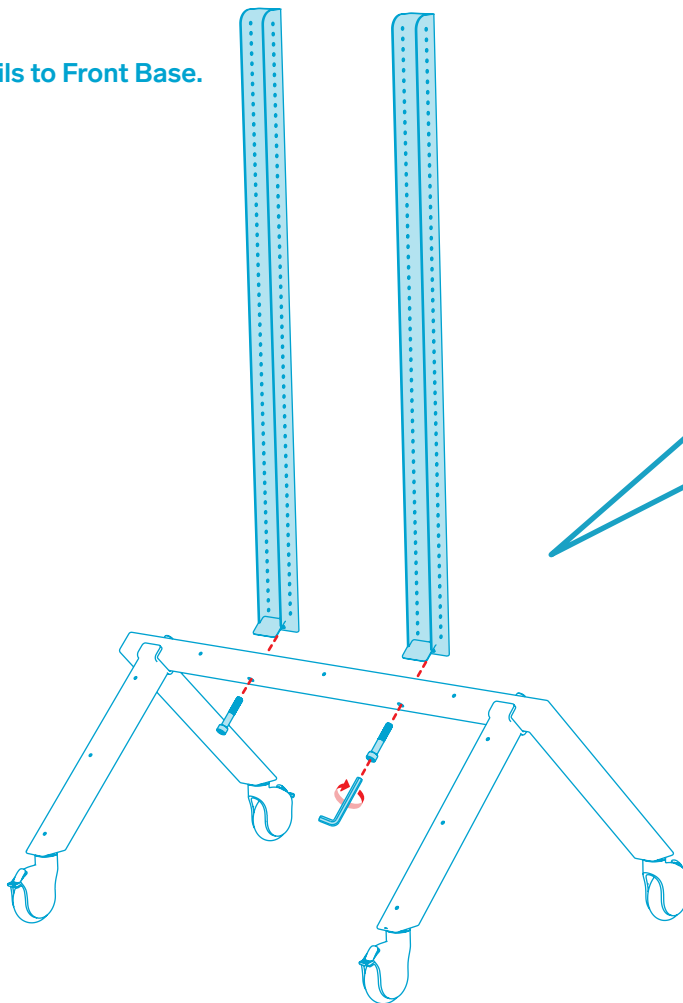
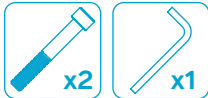
Install Smart Audio Bar
above the display

Install Touch Controller

Organize the cables

STEP 6

Fasten Display Rails to Front Base.



In the box

Set up the Base Cart

Install the display

Configure Meet
Compute System and
Smart Audio Bar

Install Meet Compute
System and Smart
Audio Bar

Install Smart Audio Bar
below the display

Install Smart Audio Bar
above the display

Install Touch Controller

Organize the cables

STEP 7

Determine whether your display has M8 or M6 mounting holes.

In the box

Set up the Base Cart

Install the display

Configure Meet
Compute System and
Smart Audio Bar

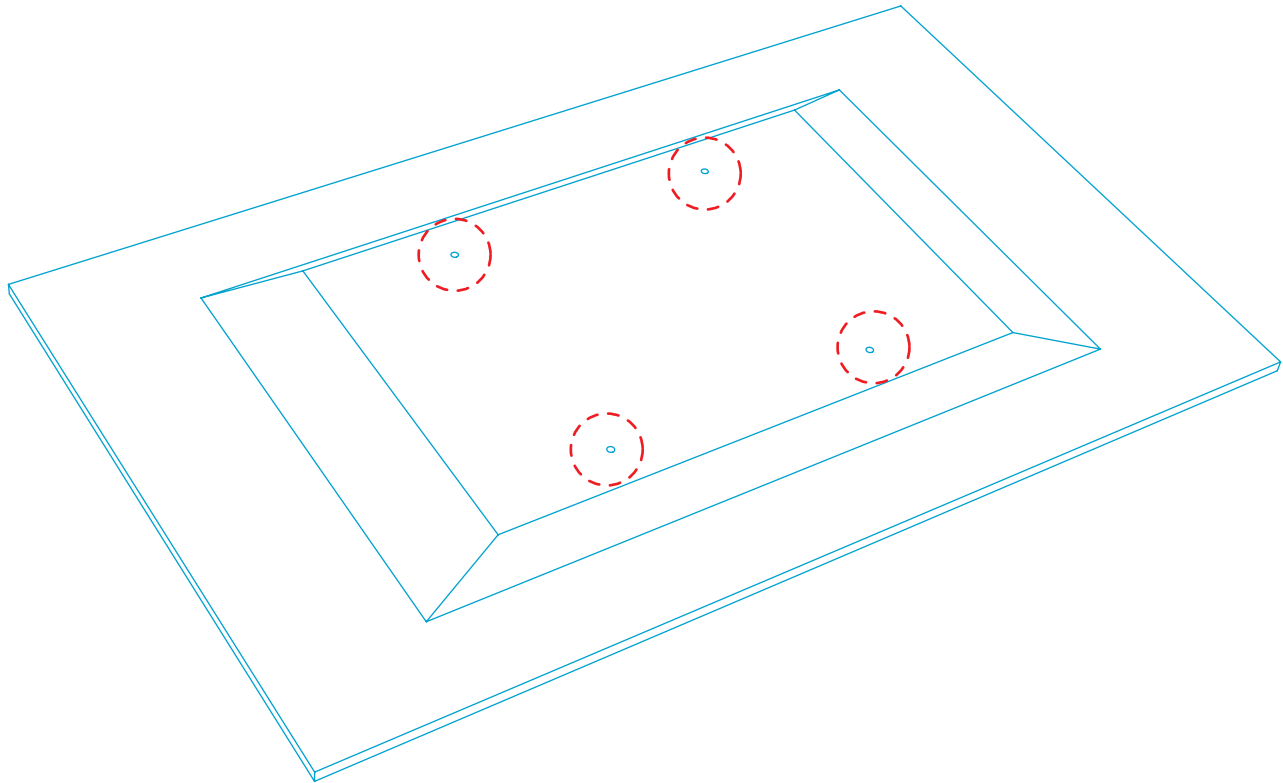
Install Meet Compute
System and Smart
Audio Bar

Install Smart Audio Bar
below the display

Install Smart Audio Bar
above the display

Install Touch Controller

Organize the cables

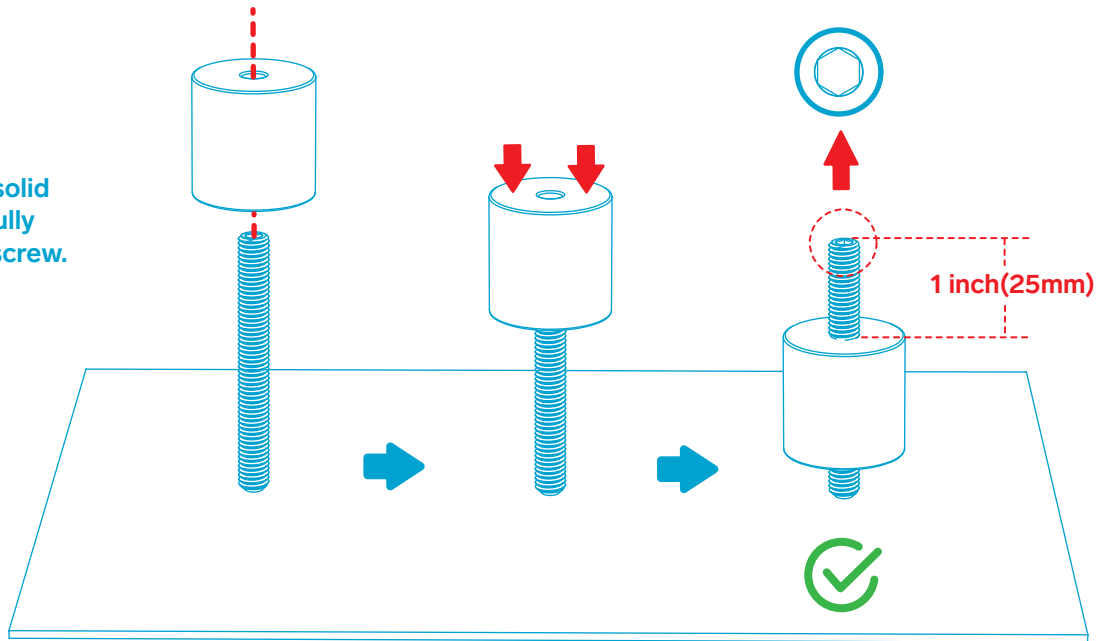


STEP 8

Prepare the display-mounting hardware.
Insert the M6 or M8 set screws through the rubber spacers.
Position the set screw relative to the spacer as shown.



Important Notes:
The set screws are a tight fit.
To push the set screw into the spacer, place cardboard on a solid surface then slowly and carefully push the spacer onto the set screw.



In the box

Set up the Base Cart

Install the display

Configure Meet
Compute System and
Smart Audio Bar

Install Meet Compute
System and Smart
Audio Bar

Install Smart Audio Bar
below the display

Install Smart Audio Bar
above the display

Install Touch Controller

Organize the cables

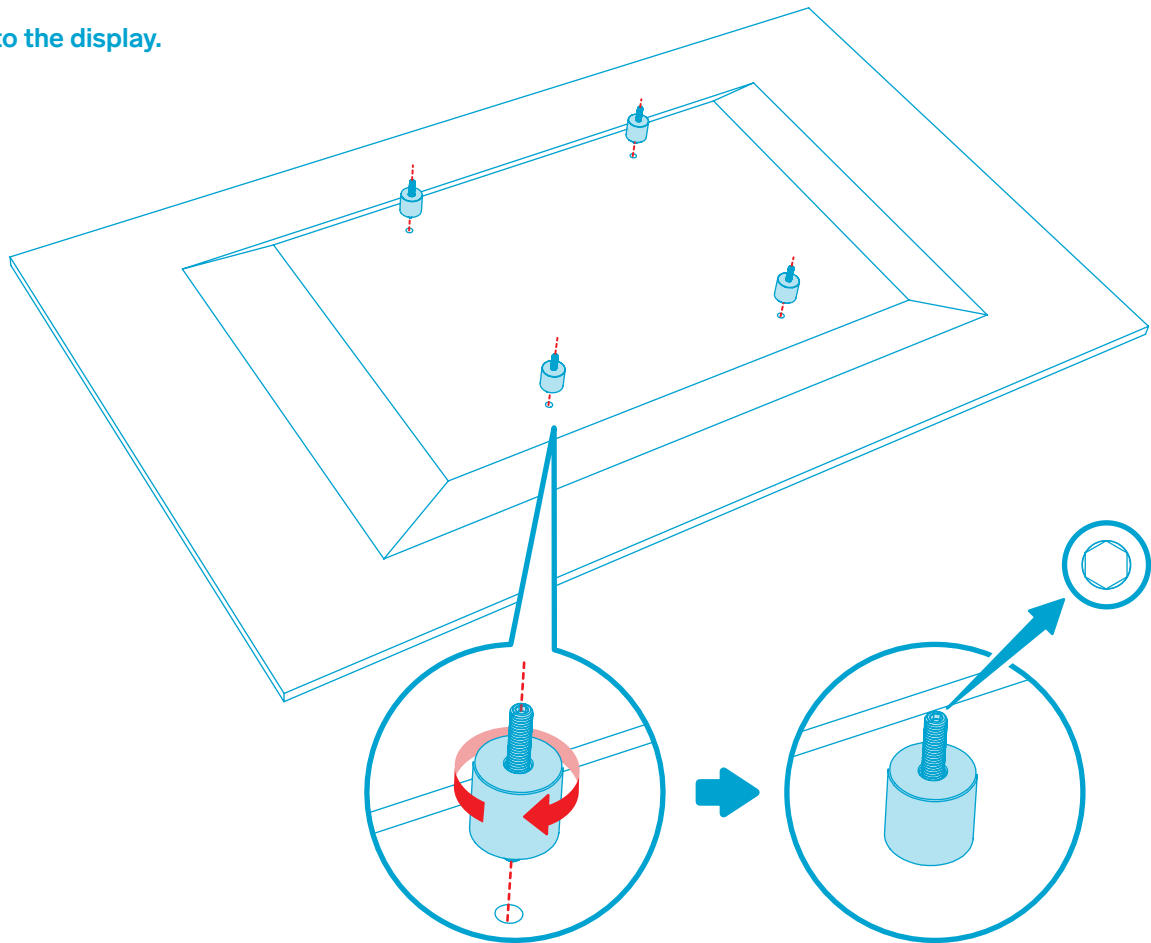
STEP 9

Fasten the mounting hardware to the display.



Important notes:

1. Fasten the set screw into the display at the depth recommended by the display manufacturer. Do not overtighten these mounting screws.
2. Ensure the spacers rest snugly against the rear surface of the display.
3. The hex drive of each set screw should face away from the display.



In the box

Set up the Base Cart

Install the display

Configure Meet
Compute System and
Smart Audio Bar

Install Meet Compute
System and Smart
Audio Bar

Install Smart Audio Bar
below the display

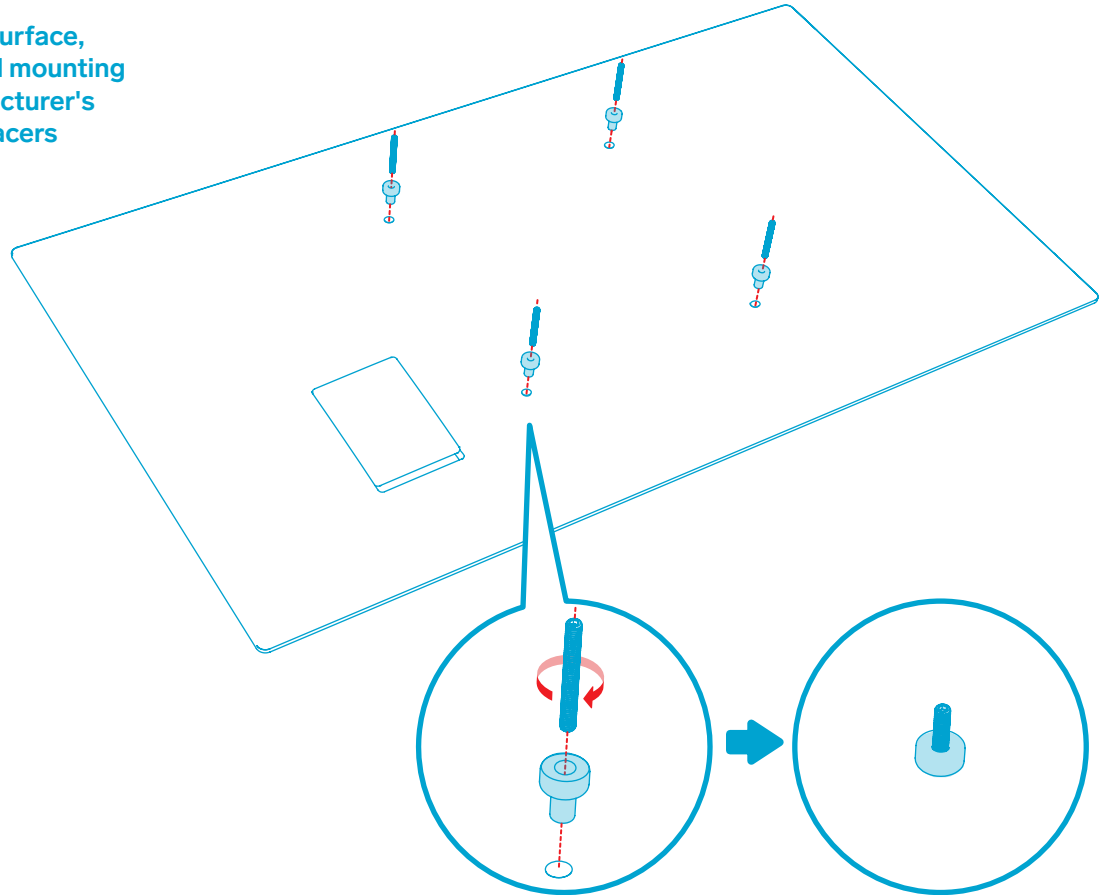
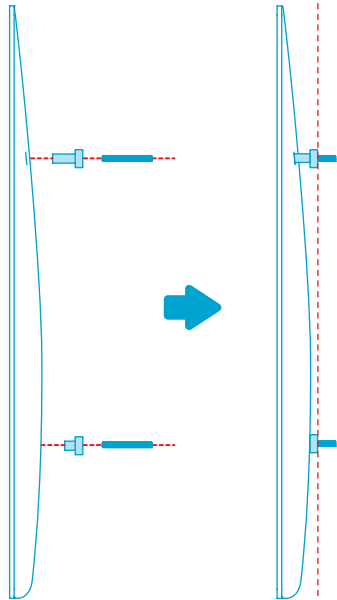
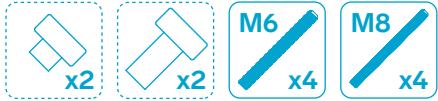
Install Smart Audio Bar
above the display

Install Touch Controller

Organize the cables

Note

If your display feature a curved rear surface, the display likely shipped with special mounting spacers. If so, use the display manufacturer's mounting spacers rather than the spacers included with Heckler AV Cart Prime.



In the box

Set up the Base Cart

Install the display

Configure Meet
Compute System and
Smart Audio Bar

Install Meet Compute
System and Smart
Audio Bar

Install Smart Audio Bar
below the display

Install Smart Audio Bar
above the display

Install Touch Controller

Organize the cables

STEP 10

Ensure all caster brakes are engaged.

In the box

Set up the Base Cart

Install the display

Configure Meet
Compute System and
Smart Audio Bar

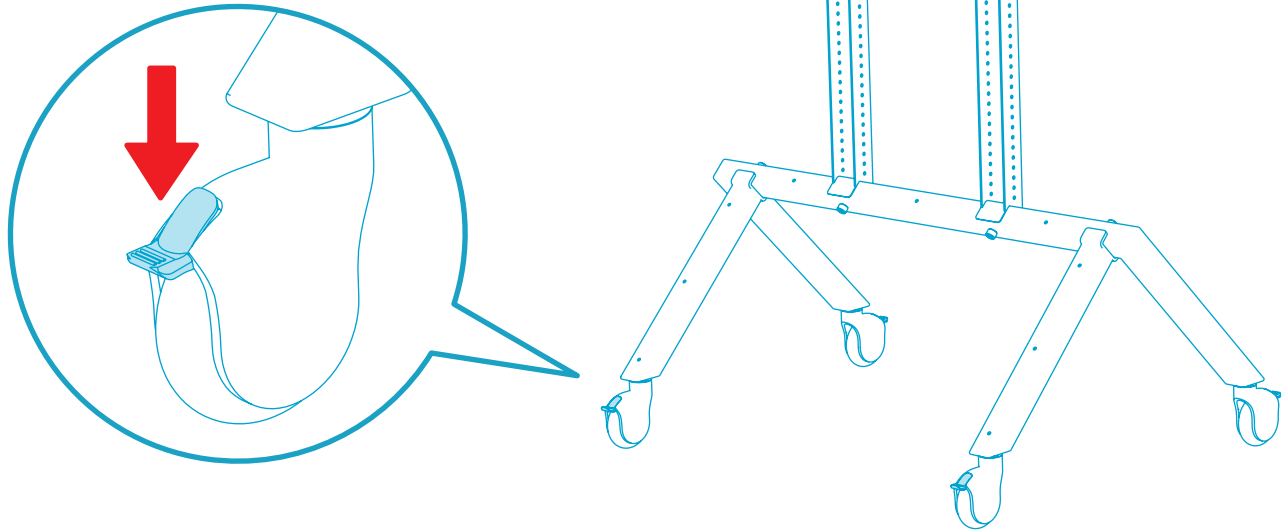
Install Meet Compute
System and Smart
Audio Bar

Install Smart Audio Bar
below the display

Install Smart Audio Bar
above the display

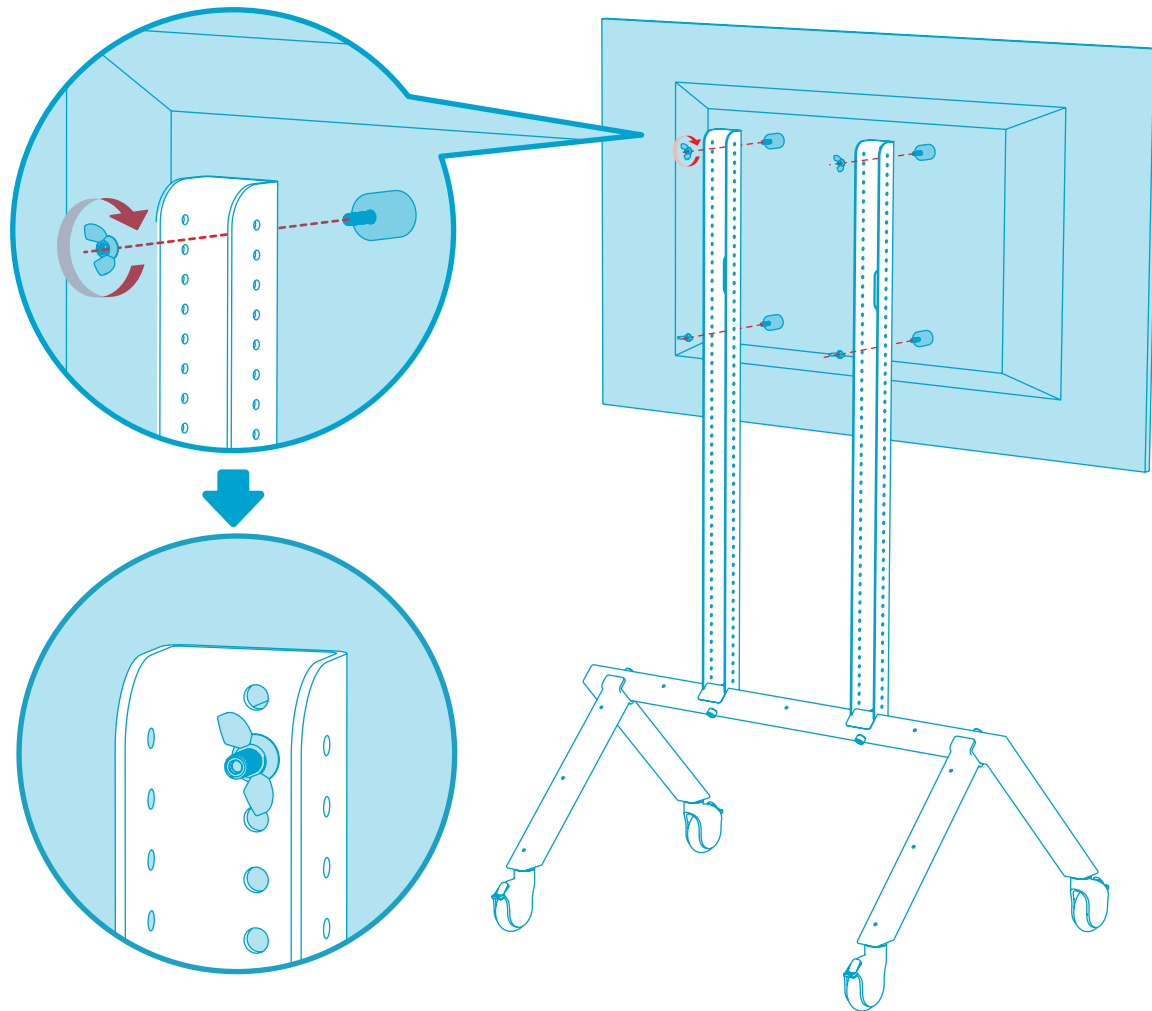
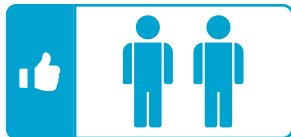
Install Touch Controller

Organize the cables



STEP 11

Install the display to
Display Rails by
fastening wingnuts.



In the box

Set up the Base Cart

Install the display

Configure Meet
Compute System and
Smart Audio Bar

Install Meet Compute
System and Smart
Audio Bar

Install Smart Audio Bar
below the display

Install Smart Audio Bar
above the display

Install Touch Controller

Organize the cables

STEP 12

Pre-configure Meet Compute System and wiring to Device Panel XL.

In the box

Set up the Base Cart

Install the display

**Configure Meet
Compute System and
Smart Audio Bar**

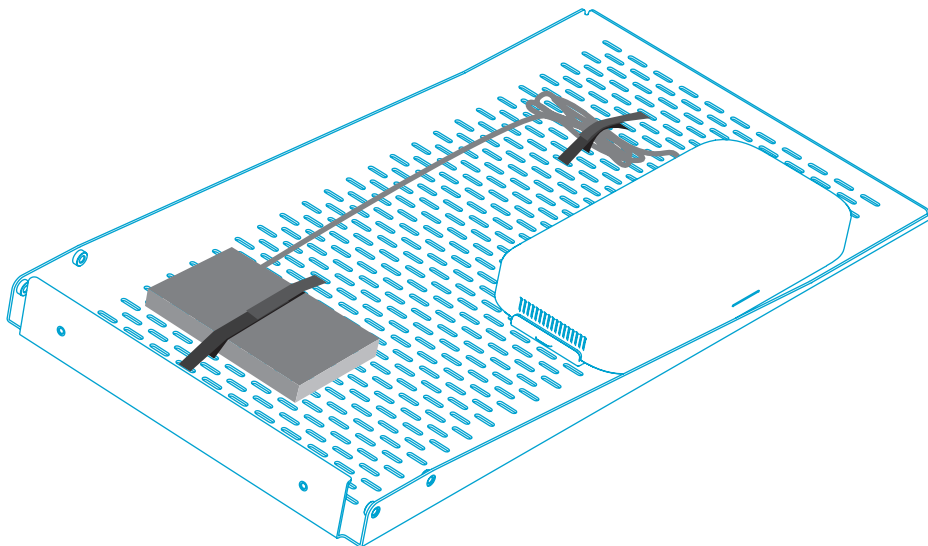
Install Meet Compute
System and Smart
Audio Bar

Install Smart Audio Bar
below the display

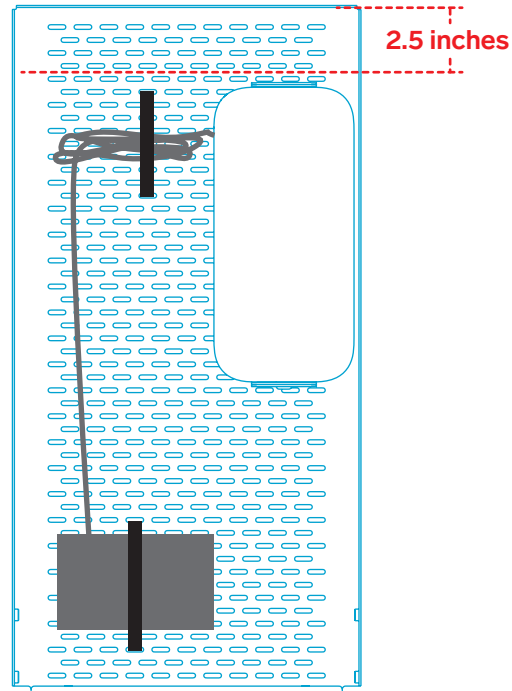
Install Smart Audio Bar
above the display

Install Touch Controller

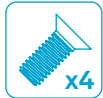
Organize the cables



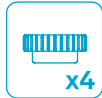
Important Note:
Keep about 2.5 inches of
clearance for mounting
Smart Audio Bar above the display.



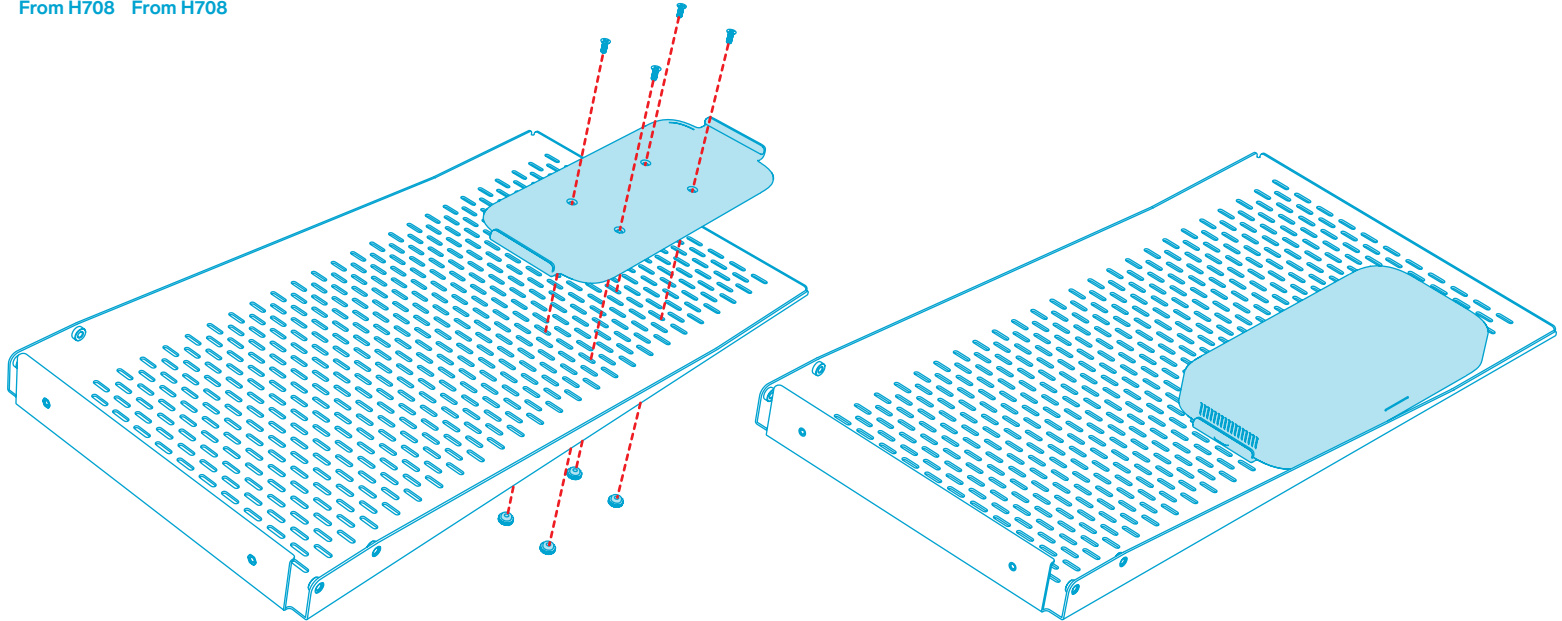
Pre-configure Meet Compute System to Device Panel XL using VESA mounting screws and thumbnuts supplied.



From H708



From H708



In the box

Set up the Base Cart

Install the display

**Configure Meet
Compute System and
Smart Audio Bar**

Install Meet Compute
System and Smart
Audio Bar

Install Smart Audio Bar
below the display

Install Smart Audio Bar
above the display

Install Touch Controller

Organize the cables

Pre-configure devices and wiring to Device Panel XL using Velcro supplied.



From H708

In the box

Set up the Base Cart

Install the display

**Configure Meet
Compute System and
Smart Audio Bar**

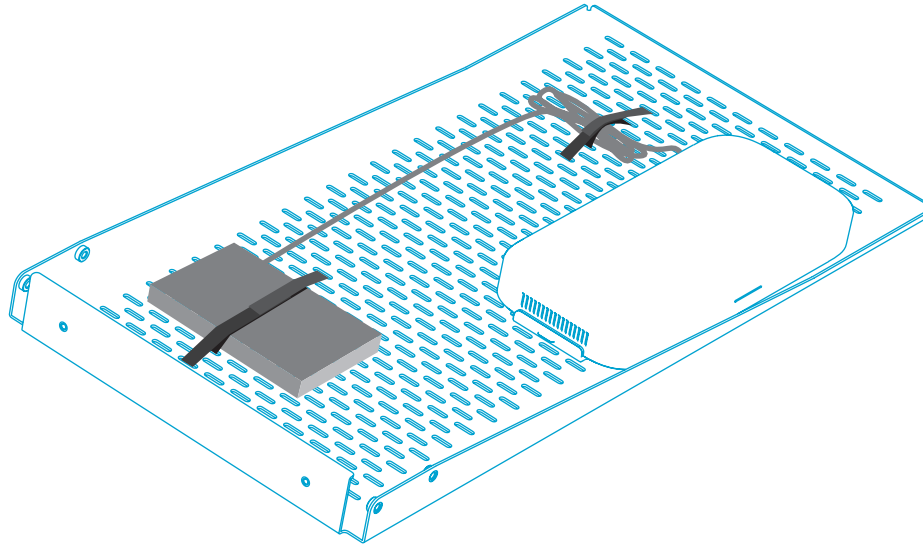
Install Meet Compute
System and Smart
Audio Bar

Install Smart Audio Bar
below the display

Install Smart Audio Bar
above the display

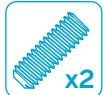
Install Touch Controller

Organize the cables

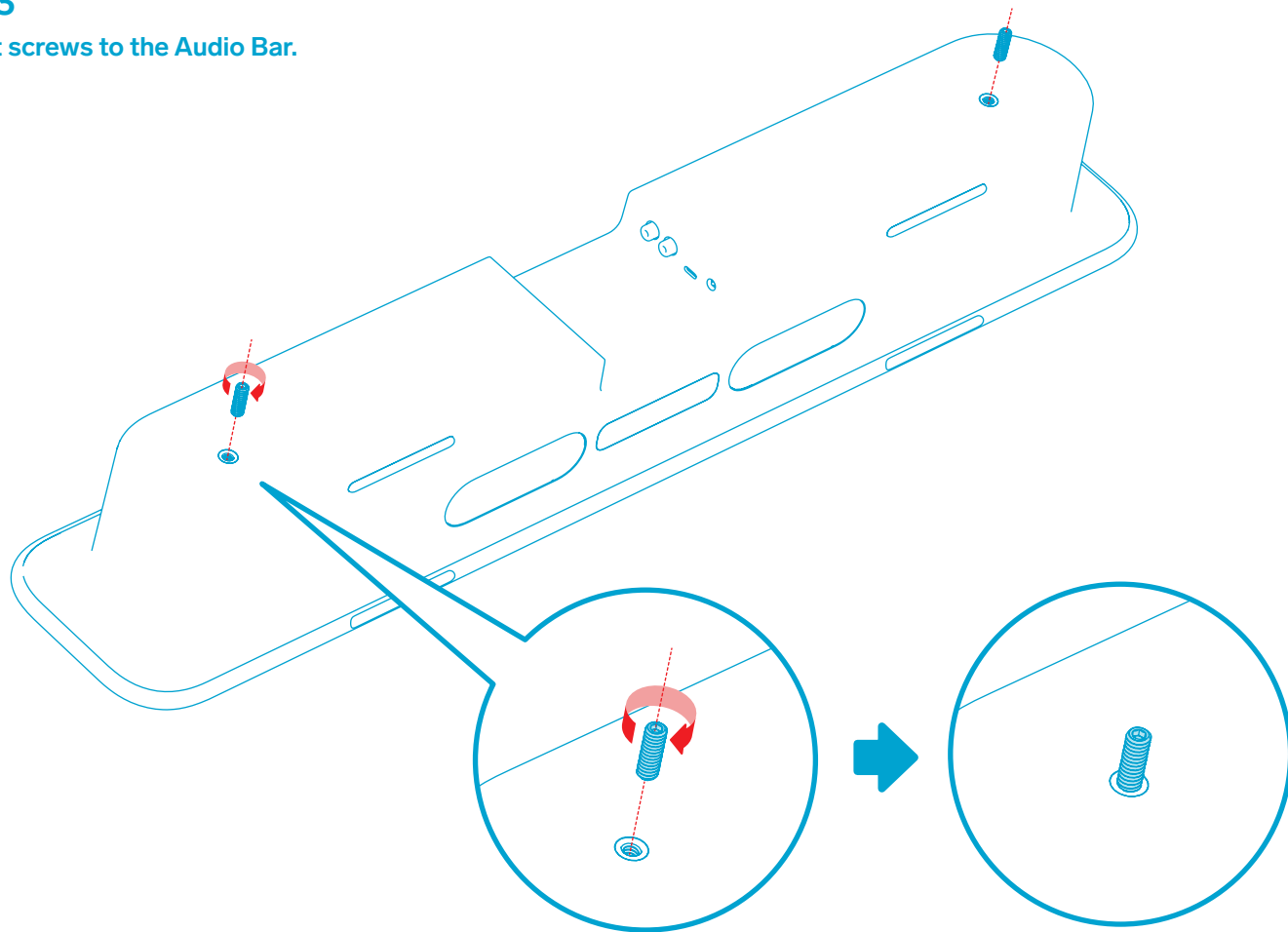


STEP 13

Fasten set screws to the Audio Bar.



From H707



In the box

Set up the Base Cart

Install the display

**Configure Meet
Compute System and
Smart Audio Bar**

Install Meet Compute
System and Smart
Audio Bar

Install Smart Audio Bar
below the display

Install Smart Audio Bar
above the display

Install Touch Controller

Organize the cables

STEP 14

Determine Smart Audio Bar position.

In the box

Set up the Base Cart

Install the display

Configure Meet
Compute System and
Smart Audio Bar

**Install Meet Compute
System and Smart
Audio Bar**

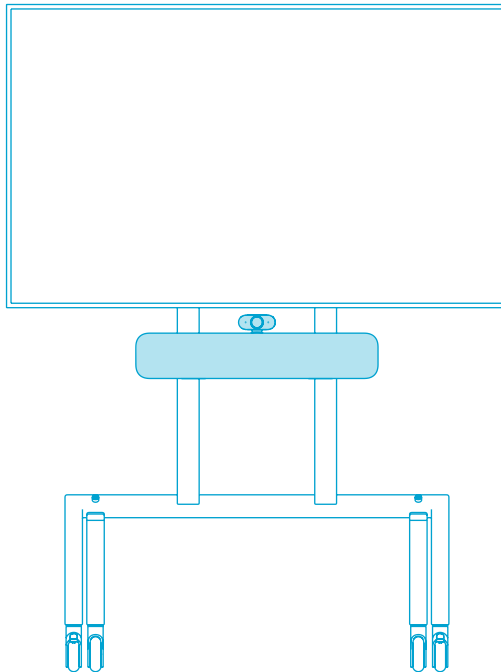
Install Smart Audio Bar
below the display

Install Smart Audio Bar
above the display

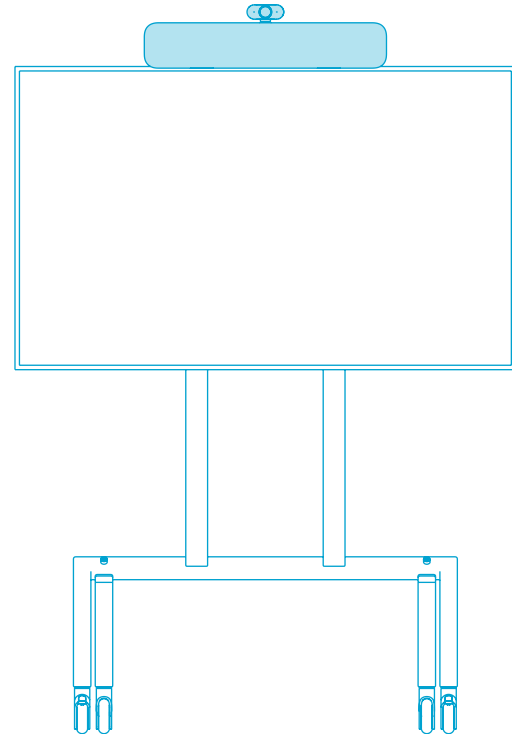
Install Touch Controller

Organize the cables

If mounting Smart Audio Bar below the display,
go to Page 22.



If mounting Smart Audio Bar above the display,
go to Page 26.



STEP 15

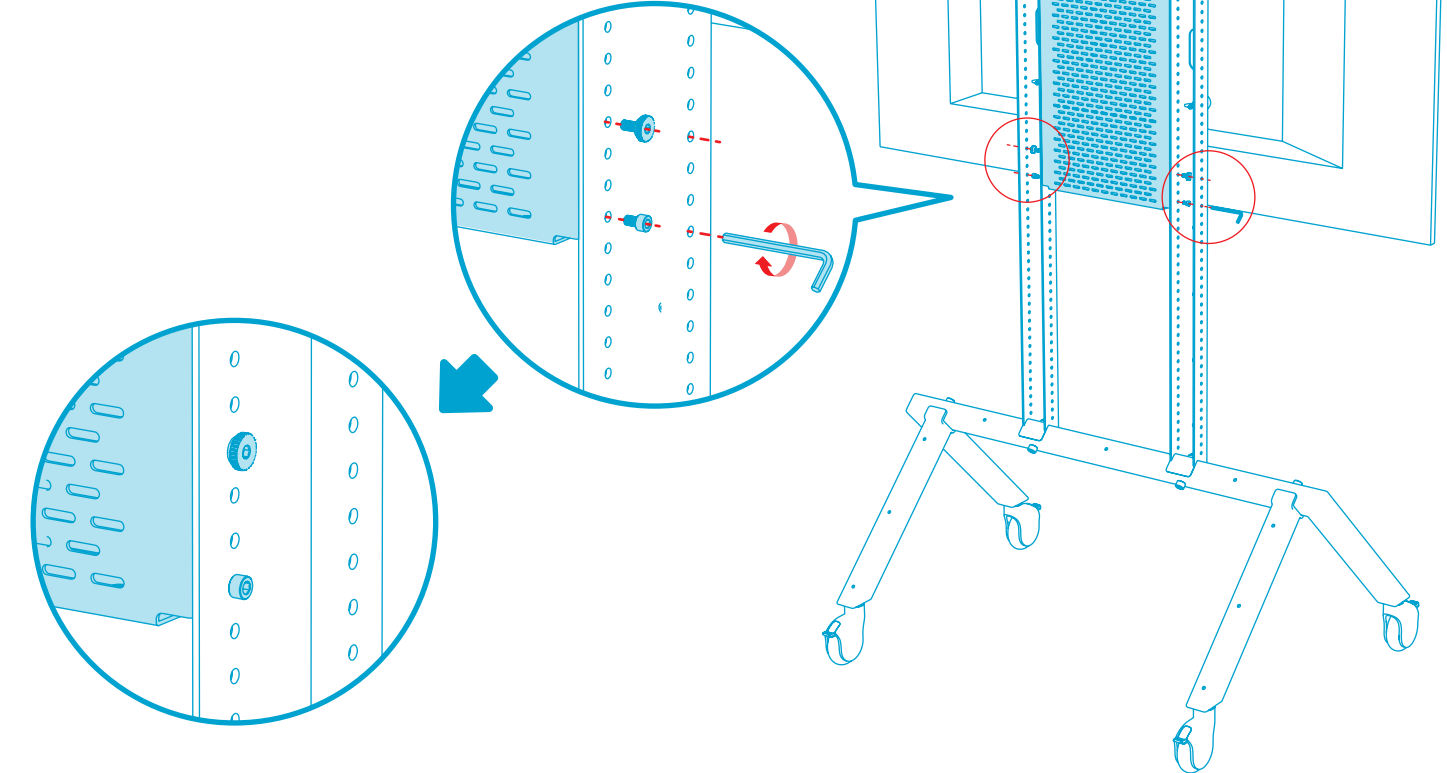
Install Device Panel XL to Display Rails.



From H708

From H708

From H708



In the box

Set up the Base Cart

Install the display

Configure Meet
Compute System and
Smart Audio Bar

Install Meet Compute
System and Smart
Audio Bar

**Install Smart Audio Bar
below the display**

Install Smart Audio Bar
above the display

Install Touch Controller

Organize the cables

In the box

Set up the Base Cart

Install the display

Configure Meet
Compute System and
Smart Audio Bar

Install Meet Compute
System and Smart
Audio Bar

Install Smart Audio Bar
below the display

Install Smart Audio Bar
above the display

Install Touch Controller

Organize the cables

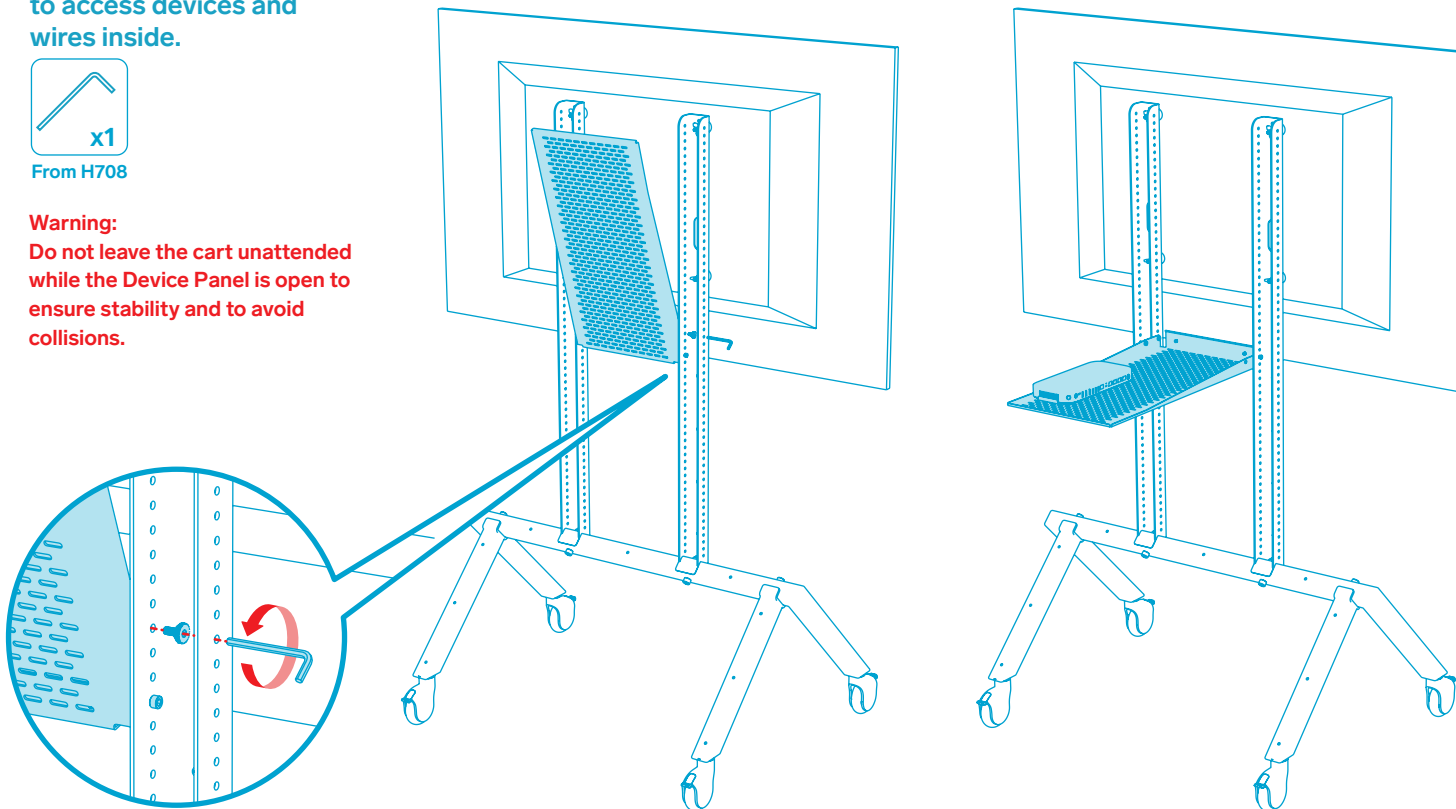
TIP

Remove the top two thumbscrews
and rotate the Device Panel XL
to access devices and
wires inside.



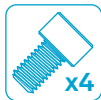
From H708

Warning:
Do not leave the cart unattended
while the Device Panel is open to
ensure stability and to avoid
collisions.



STEP 16

Install Soundbar Mount to Display Rails.



From H707

From H707

From H707

Install the display

Configure Meet
Compute System and
Smart Audio Bar

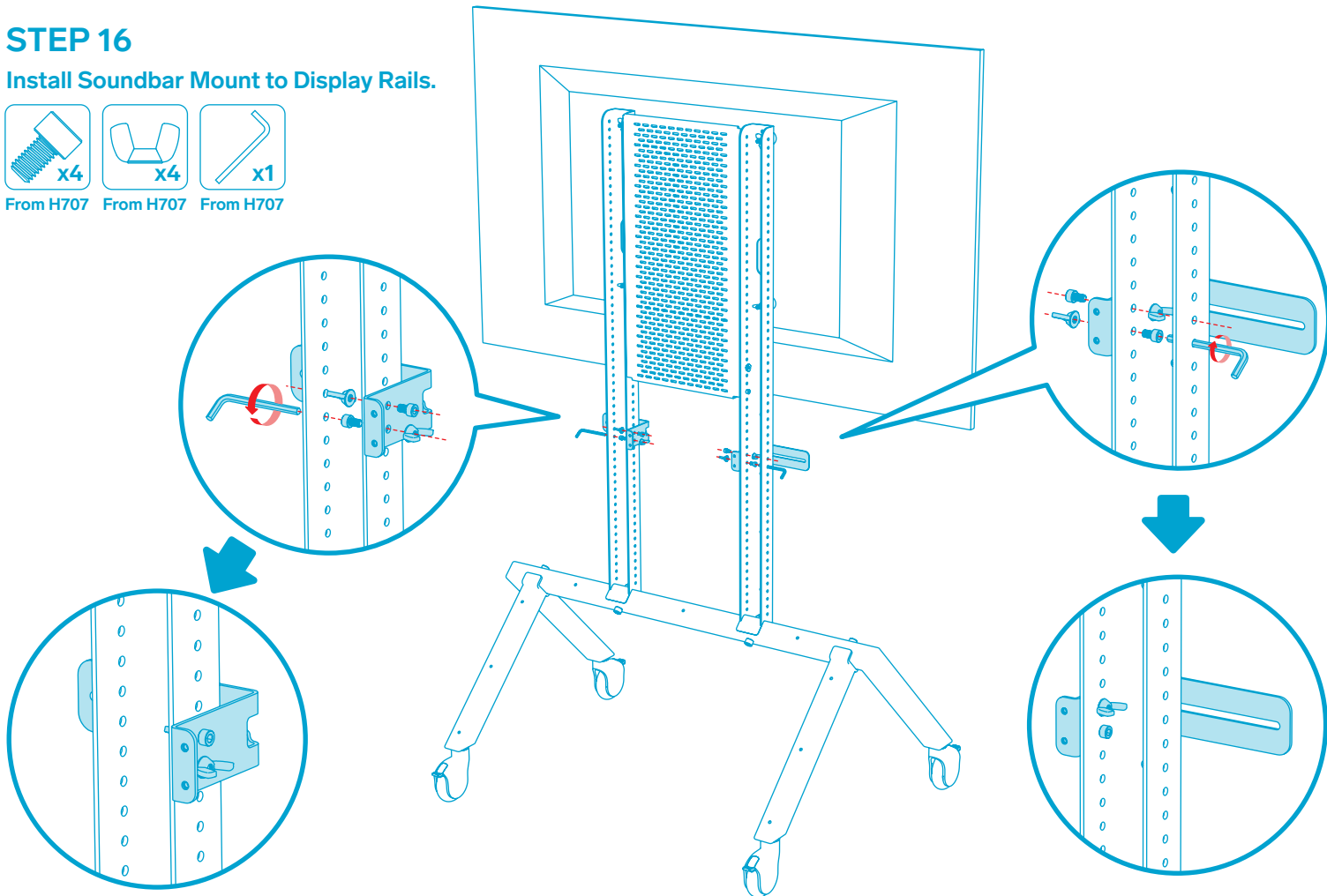
Install Meet Compute
System and Smart
Audio Bar

Install Smart Audio Bar
below the display

Install Smart Audio Bar
above the display

Install Touch Controller

Organize the cables

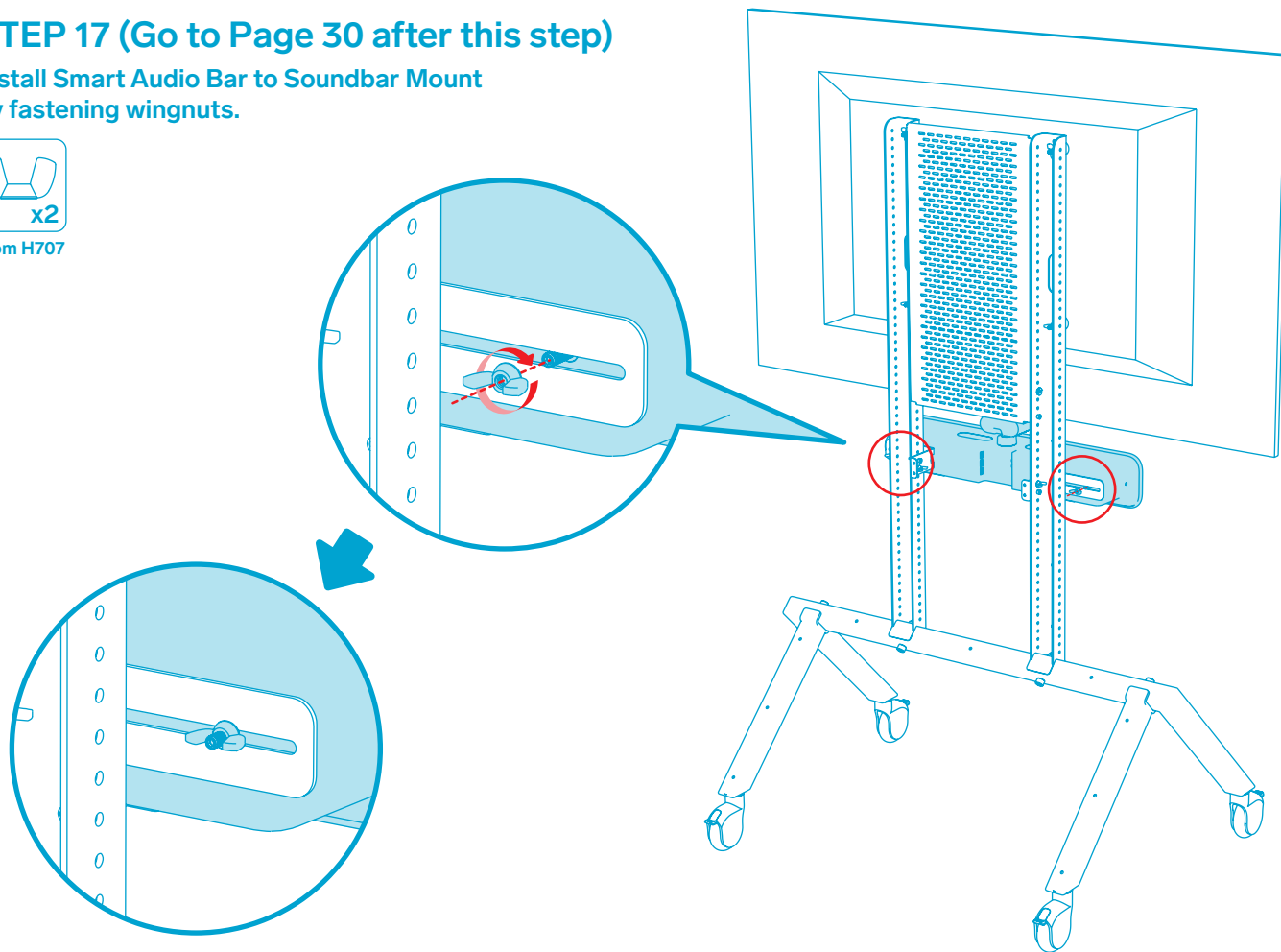


STEP 17 (Go to Page 30 after this step)

Install Smart Audio Bar to Soundbar Mount by fastening wingnuts.



From H707



In the box

Set up the Base Cart

Install the display

Configure Meet
Compute System and
Smart Audio Bar

Install Meet Compute
System and Smart
Audio Bar

**Install Smart Audio Bar
below the display**

Install Smart Audio Bar
above the display

Install Touch Controller

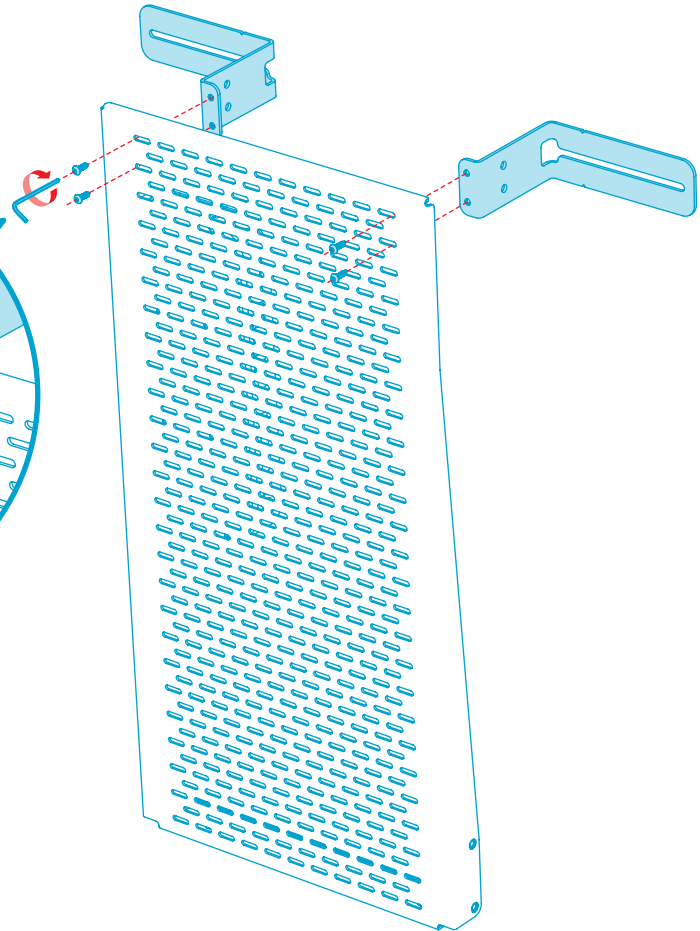
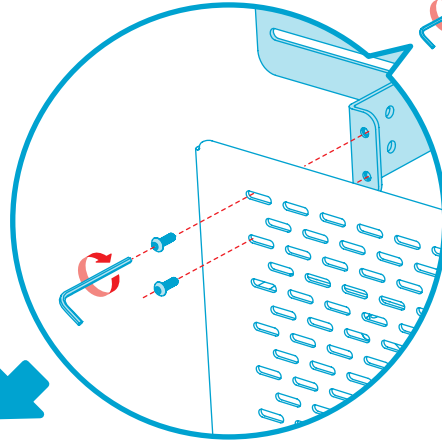
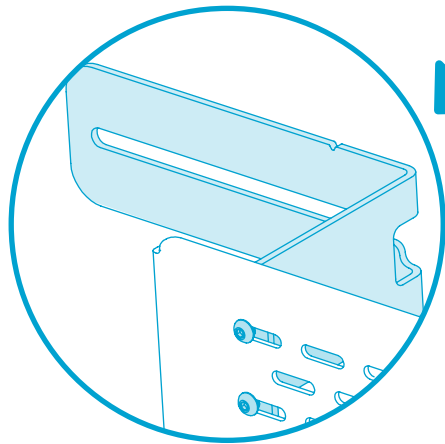
Organize the cables

STEP 15

Install Soundbar Mount to Device Panel XL



From H707 From H707



In the box

Set up the Base Cart

Install the display

Configure Meet
Compute System and
Smart Audio Bar

Install Meet Compute
System and Smart
Audio Bar

Install Smart Audio Bar
below the display

Install Smart Audio Bar
above the display

Install Touch Controller

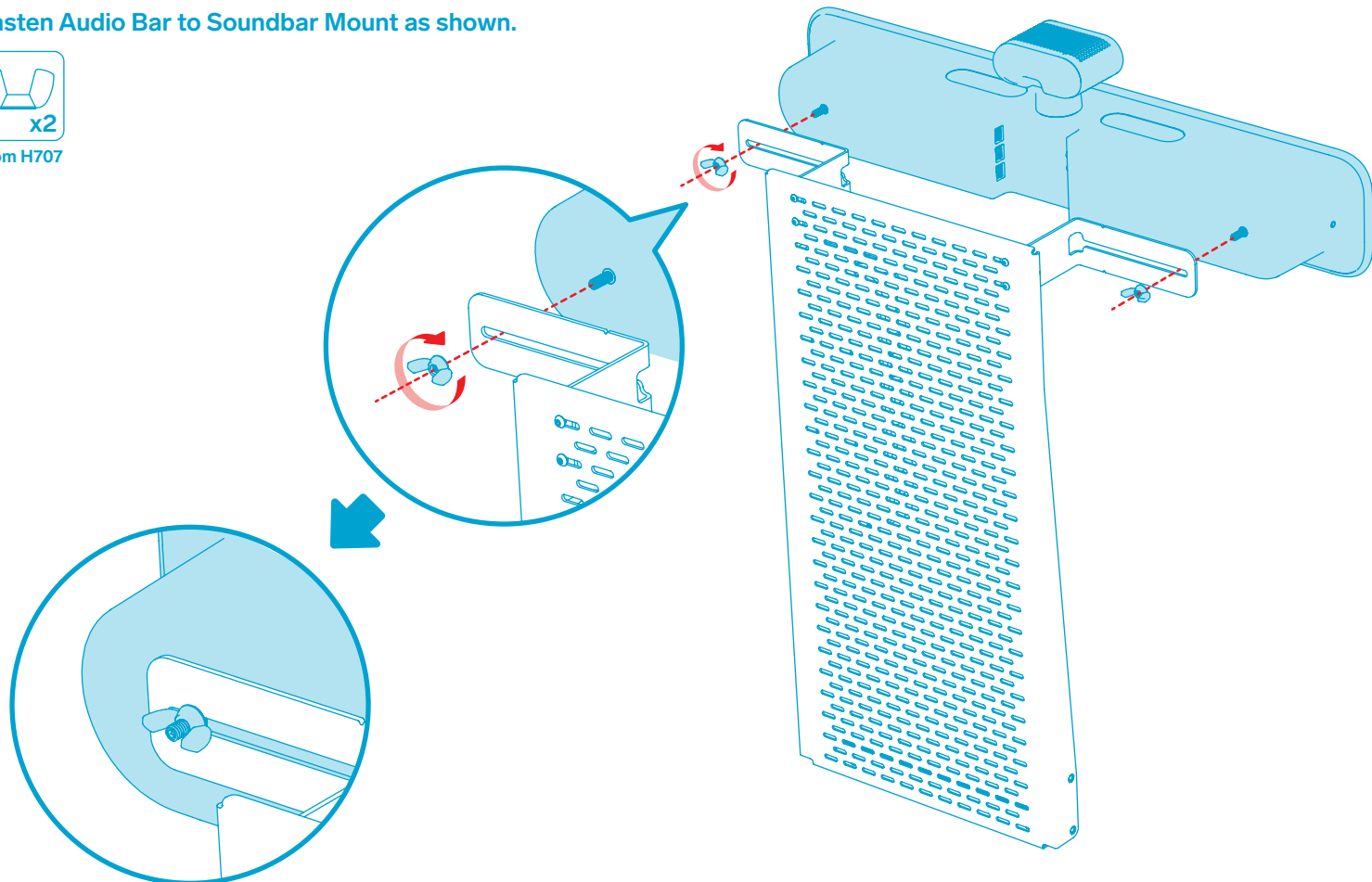
Organize the cables

STEP 16

Fasten Audio Bar to Soundbar Mount as shown.



From H707



In the box

Set up the Base Cart

Install the display

Configure Meet
Compute System and
Smart Audio Bar

Install Meet Compute
System and Smart
Audio Bar

Install Smart Audio Bar
below the display

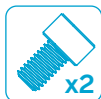
Install Smart Audio Bar
above the display

Install Touch Controller

Organize the cables

STEP 17

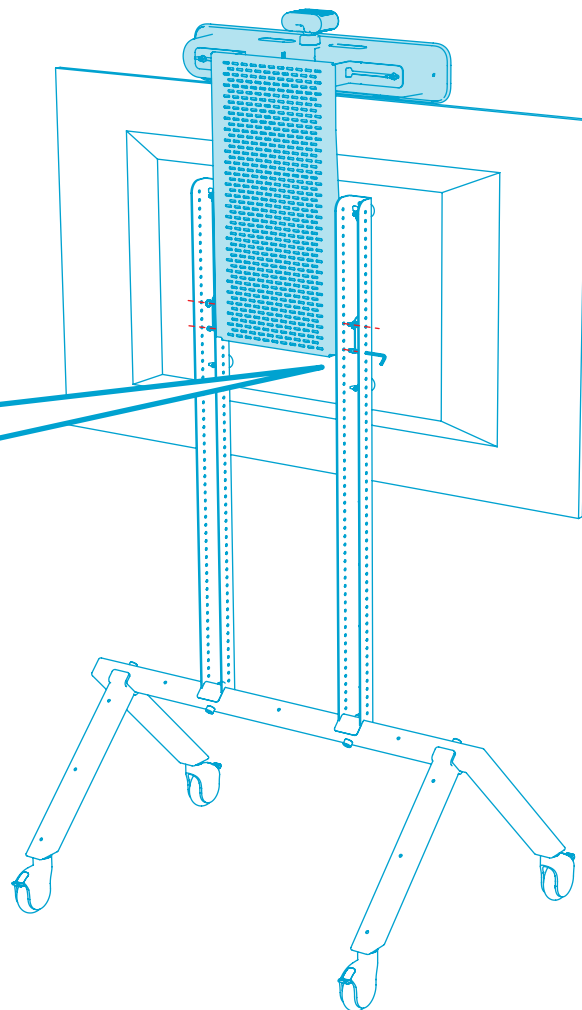
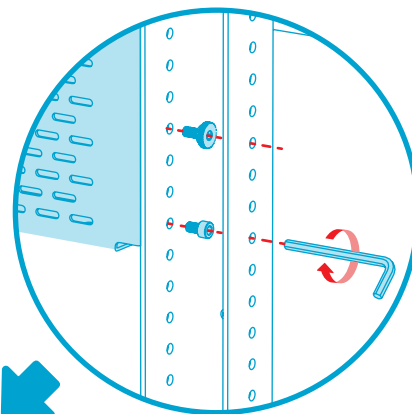
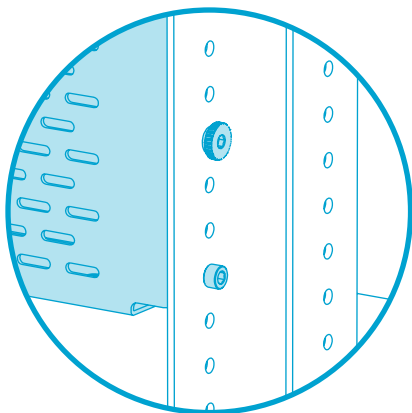
Install Device Panel XL to Display Rails.



From H708

From H708

From H708



In the box

Set up the Base Cart

Install the display

Configure Meet
Compute System and
Smart Audio Bar

Install Meet Compute
System and Smart
Audio Bar

Install Smart Audio Bar
below the display

Install Smart Audio Bar
above the display

Install Touch Controller

Organize the cables

In the box

Set up the Base Cart

Install the display

Configure Meet
Compute System and
Smart Audio Bar

Install Meet Compute
System and Smart
Audio Bar

Install Smart Audio Bar
below the display

Install Smart Audio Bar
above the display

Install Touch Controller

Organize the cables

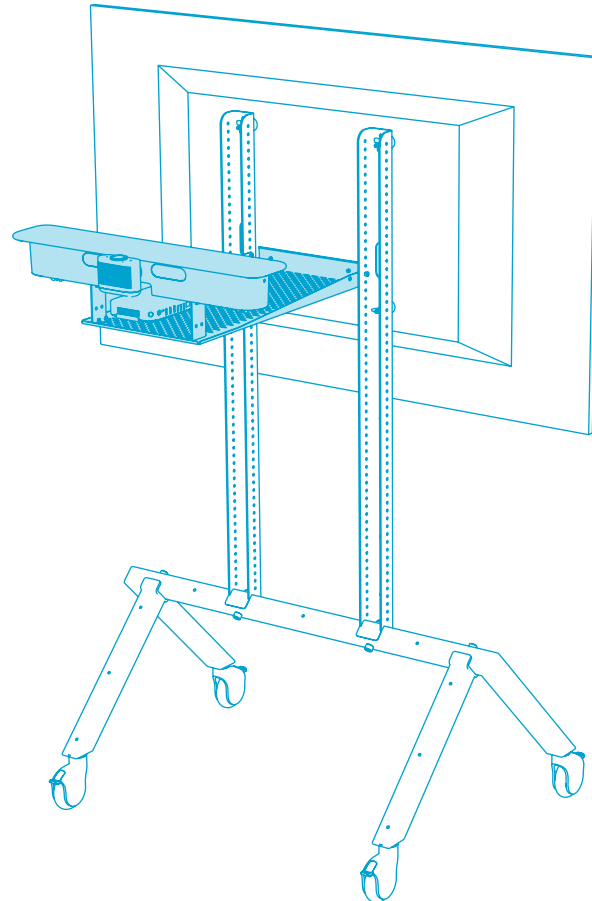
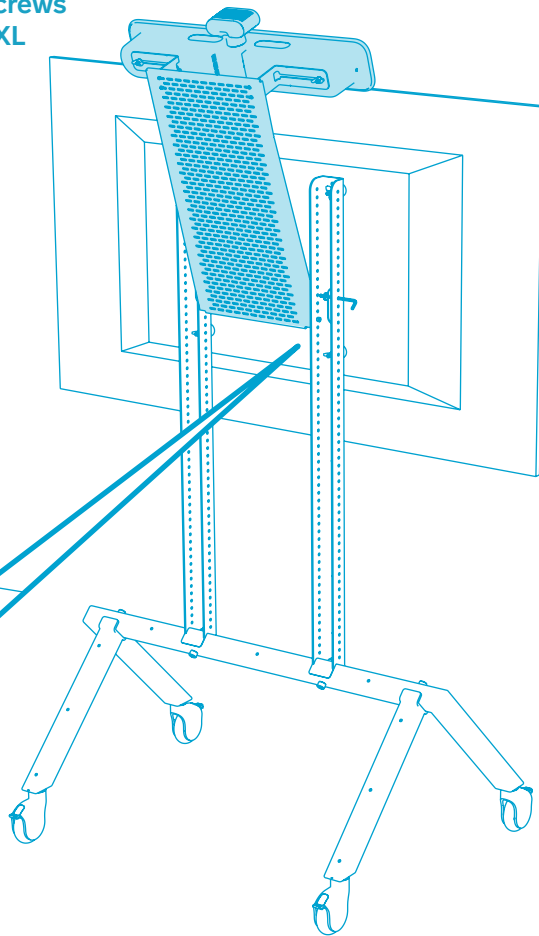
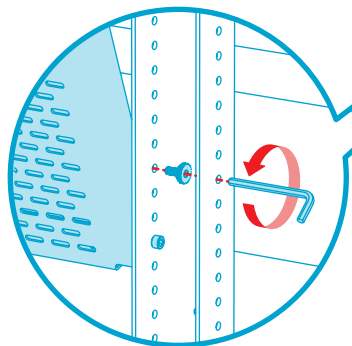
TIP

Remove the top two thumbscrews
and rotate the Device Panel XL
to access devices and
wires inside.



From H708

Warning:
Do not leave the cart unattended
while the Device Panel is open to
ensure stability and to avoid
collisions.



STEP 18

Install Control Shelf to Display Rails and place the Touch Controller.



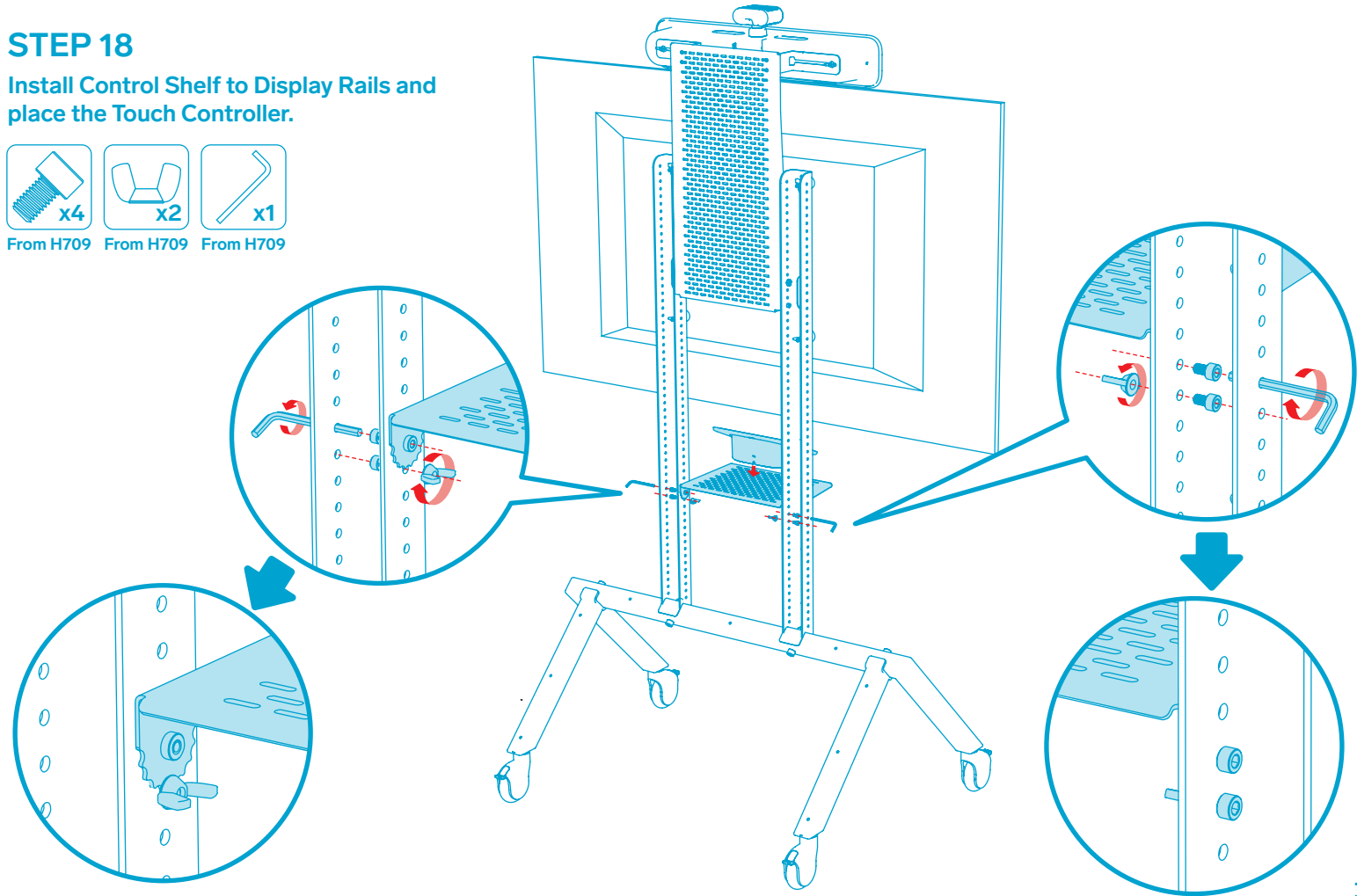
From H709



From H709



From H709



In the box

Set up the Base Cart

Install the display

Configure Meet
Compute System and
Smart Audio Bar

Install Meet Compute
System and Smart
Audio Bar

Install Smart Audio Bar
below the display

Install Smart Audio Bar
above the display

Install Touch Controller

Organize the cables

STEP 19

Route power and data cables inside each Display Rail as shown.



In the box

Set up the Base Cart

Install the display

Configure Meet
Compute System and
Smart Audio Bar

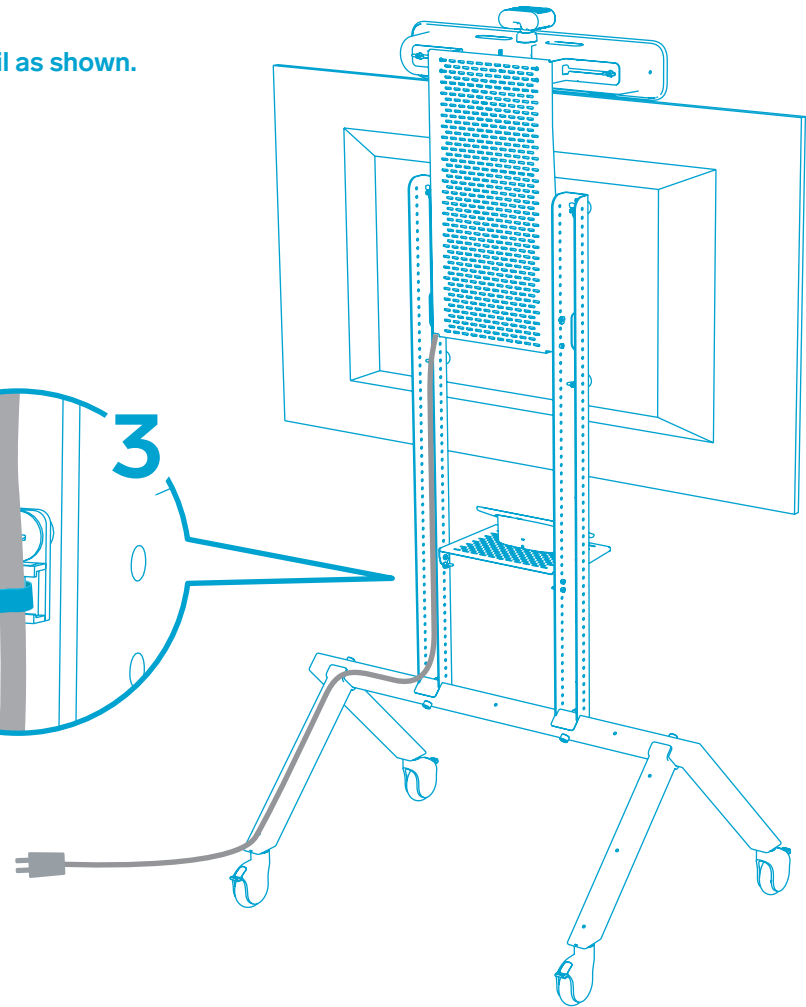
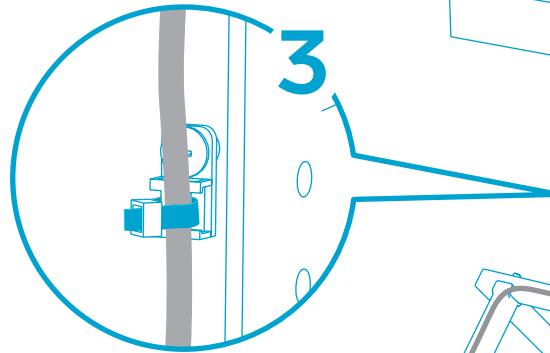
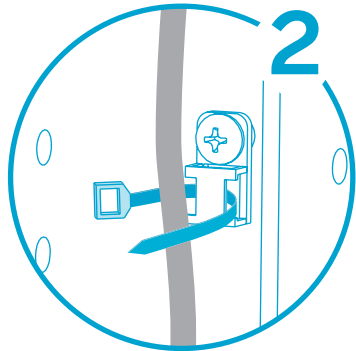
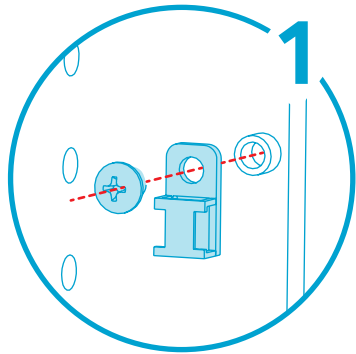
Install Meet Compute
System and Smart
Audio Bar

Install Smart Audio Bar
below the display

Install Smart Audio Bar
above the display

Install Touch Controller

Organize the cables



STEP 20

Route power and data cables along the Rear Leg as shown.



In the box

Set up the Base Cart

Install the display

Configure Meet
Compute System and
Smart Audio Bar

Install Meet Compute
System and Smart
Audio Bar

Install Smart Audio Bar
below the display

Install Smart Audio Bar
above the display

Install Touch Controller

Organize the cables

