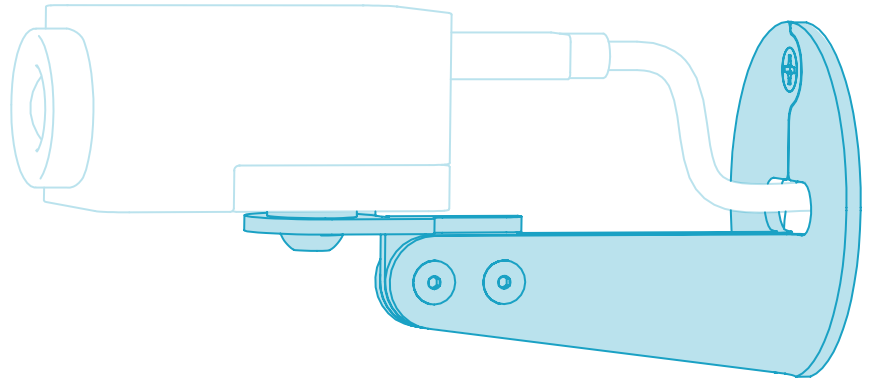


H598 - Eyeline Camera Mount

for Dual Displays



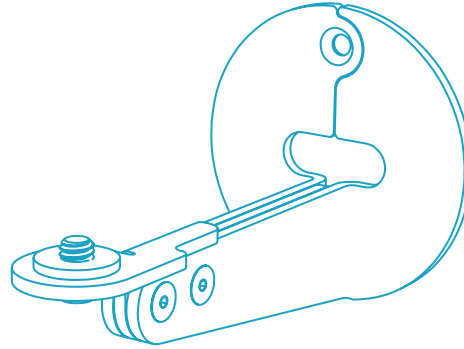
Designed & made in Arizona

Patented

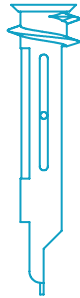
IN THE BOX

- A** 1 x Eyleline Camera Mount
- B** 1 x Drywall Anchor
- C** 1 x Drywall-mounting Screw
- D** 1 x Heckler AV Cart-mounting Screw
- E** 1 x Camera-mounting Hex Key
- F** 1 x Assembly Hex Key
- G** 1 x Cable Tie

A



B



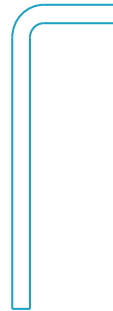
C



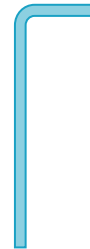
D



E



F



G



For managing
multiple cables

TOOLS NEEDED



Tape Measure



Pen



Power Drill



Phillips Bit

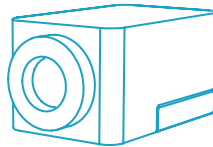


3/4" Drill Bit

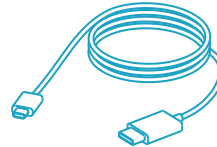


Level

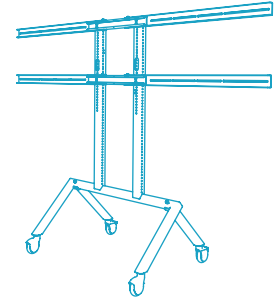
COMPONENTS NEEDED (Not Included)



Camera



Camera Power and
Data Cables



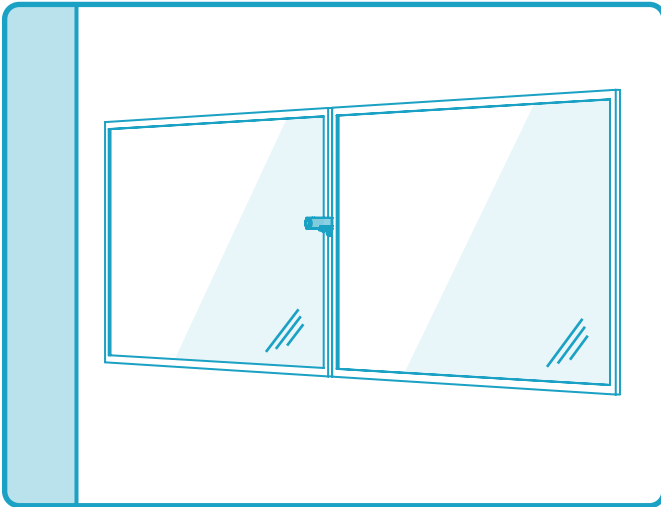
Heckler AV Cart with
Dual Display Kit

If you have any questions, please contact
service@hecklerdesign.com.

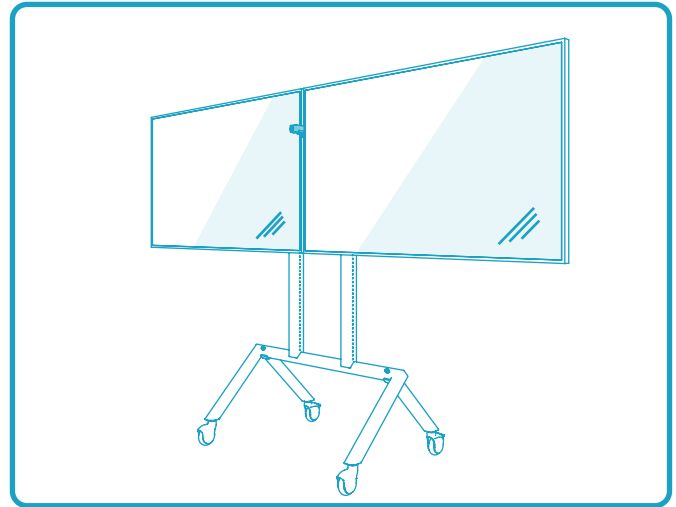
STEP 1

Mounting options.

A Wall mount



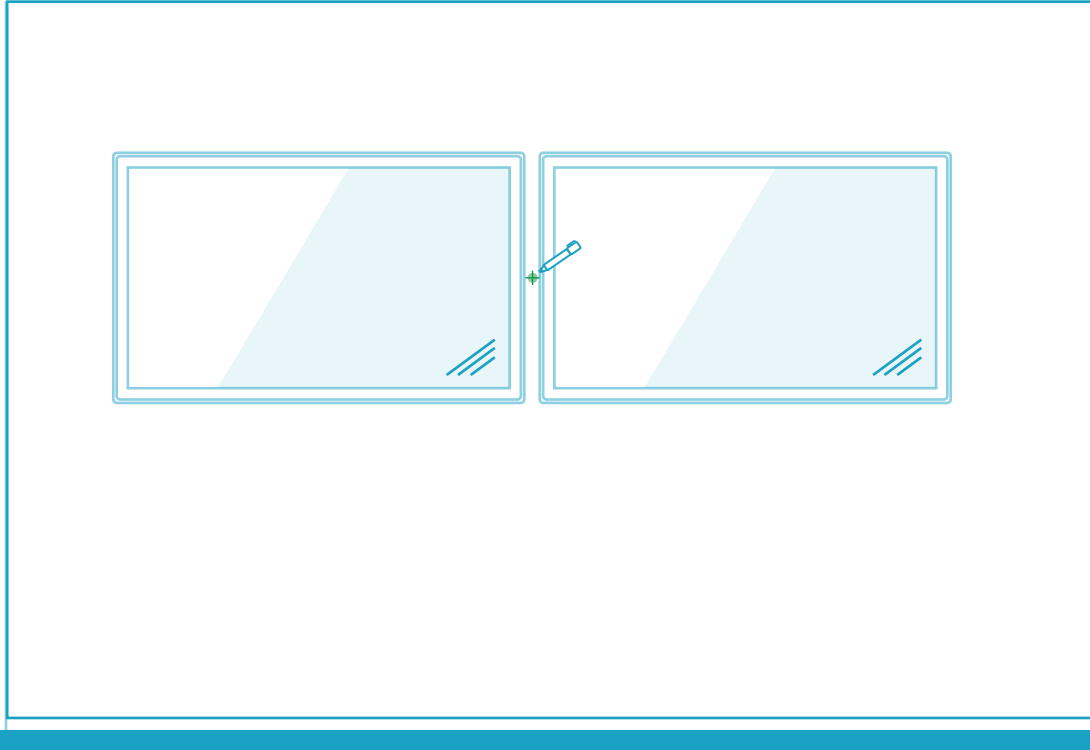
B Heckler AV Cart mount



Skip to Page 11

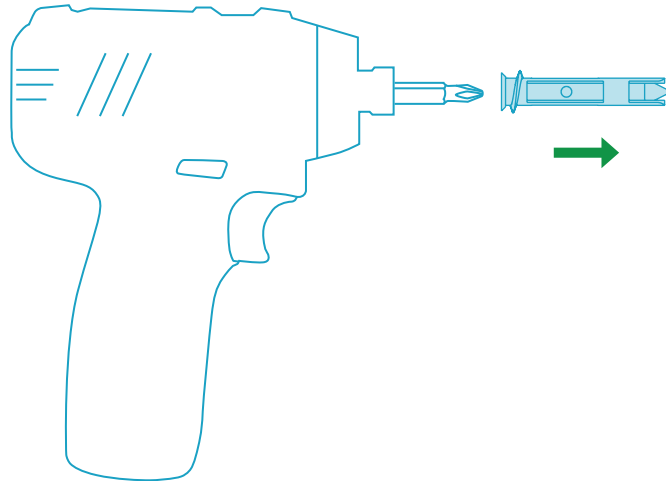
STEP 2

Mark mounting location.



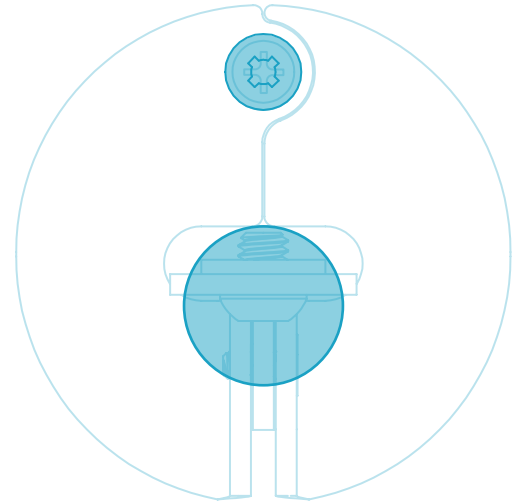
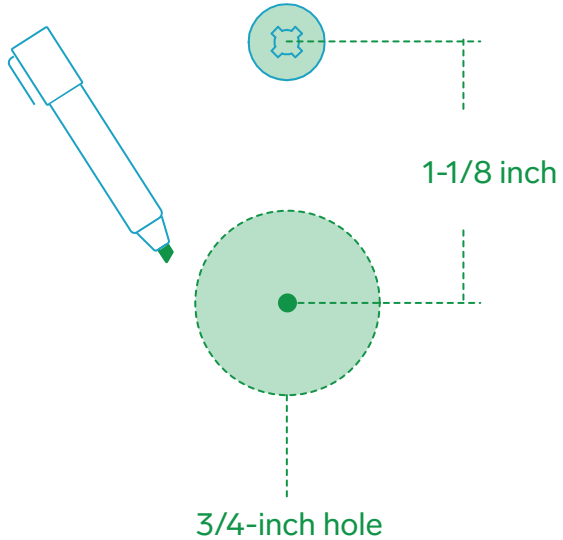
STEP 3

Install drywall anchor.



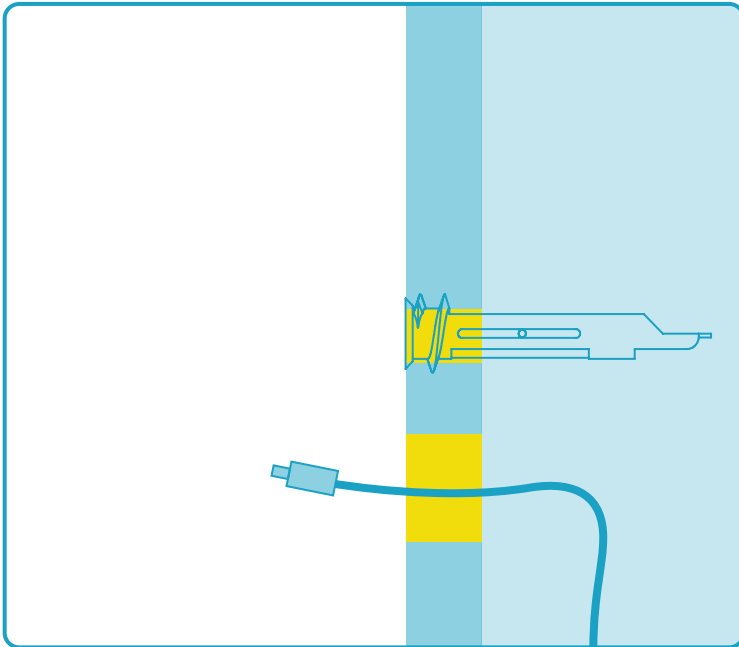
STEP 4

Drill cable pass-thru hole (optional).



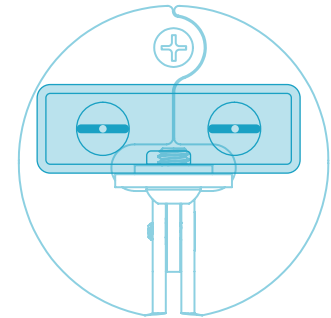
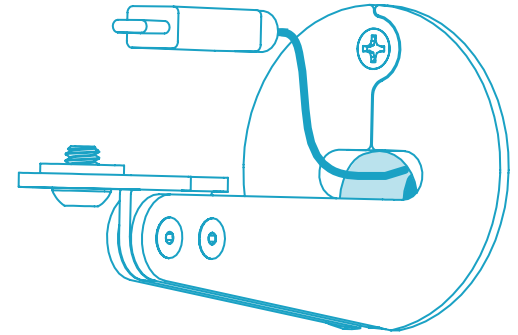
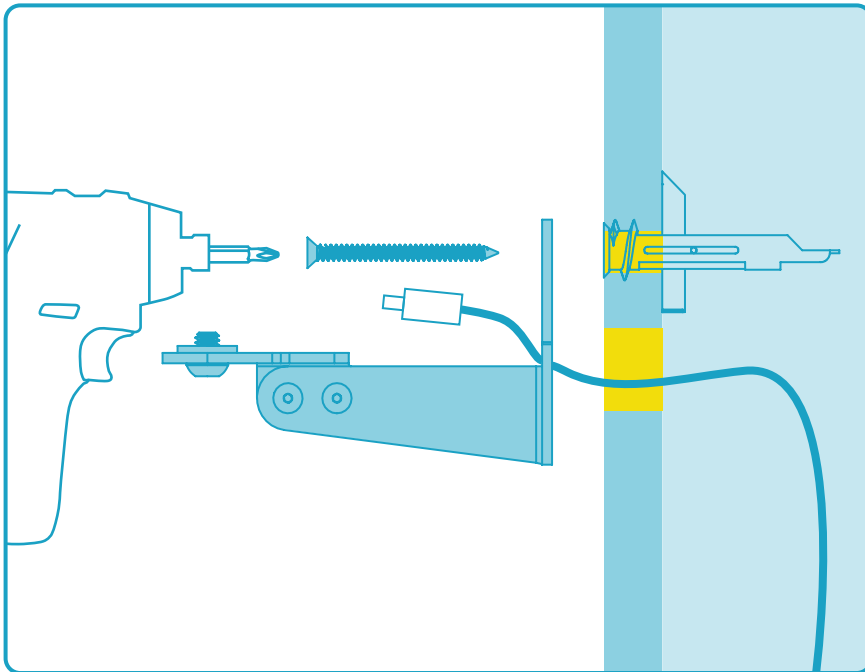
STEP 5

Route the Power and Data Cable.



STEP 6

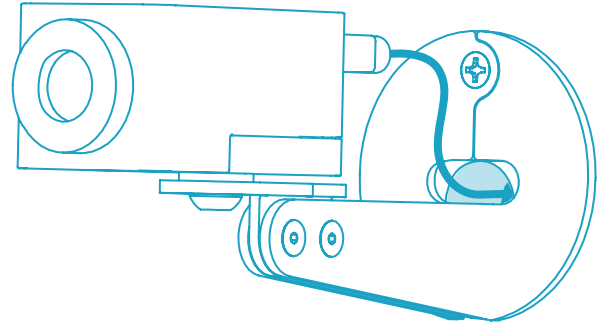
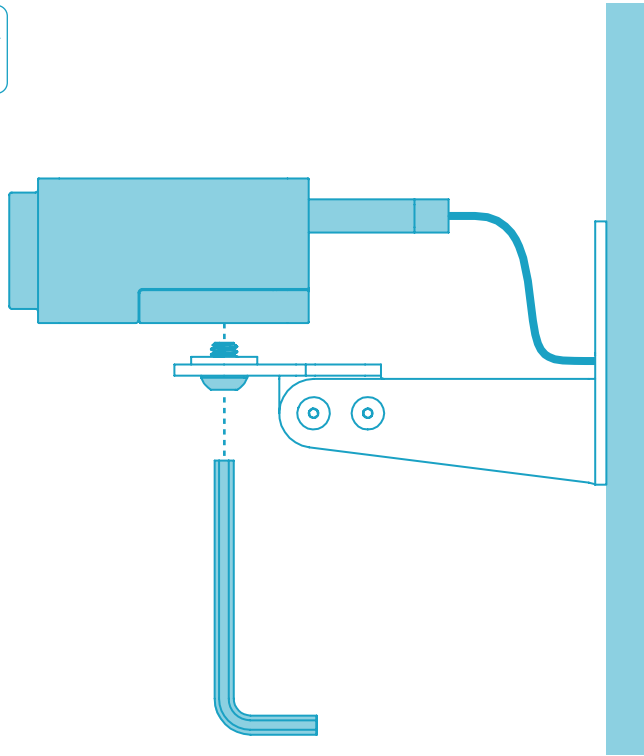
Fasten Eycline Camera Mount.



Rotate to create a level camera platform.

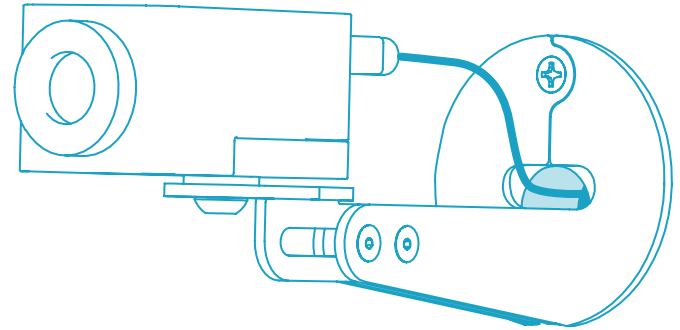
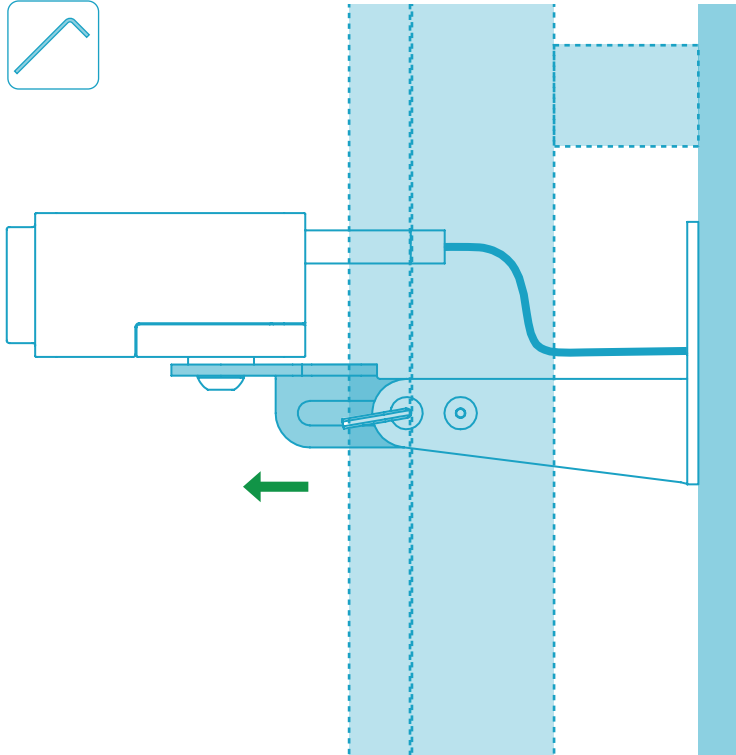
STEP 7

Install Camera.



STEP 8

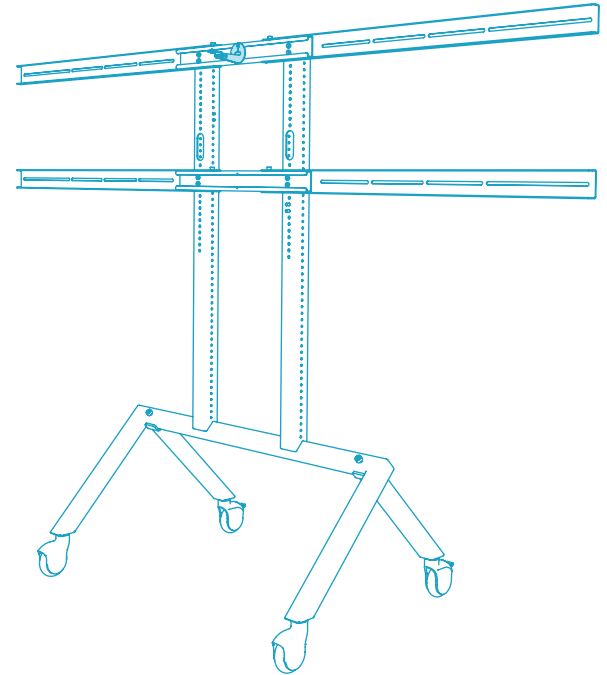
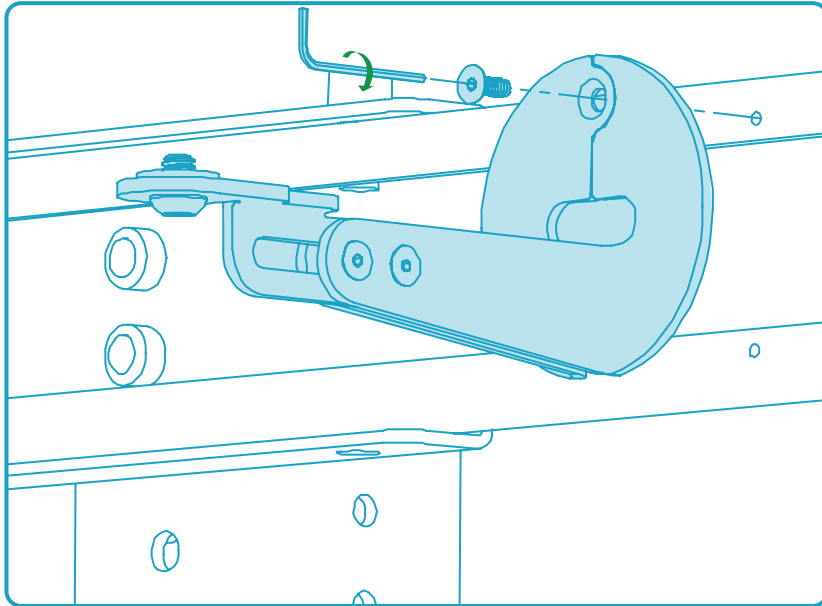
Adjust depth.



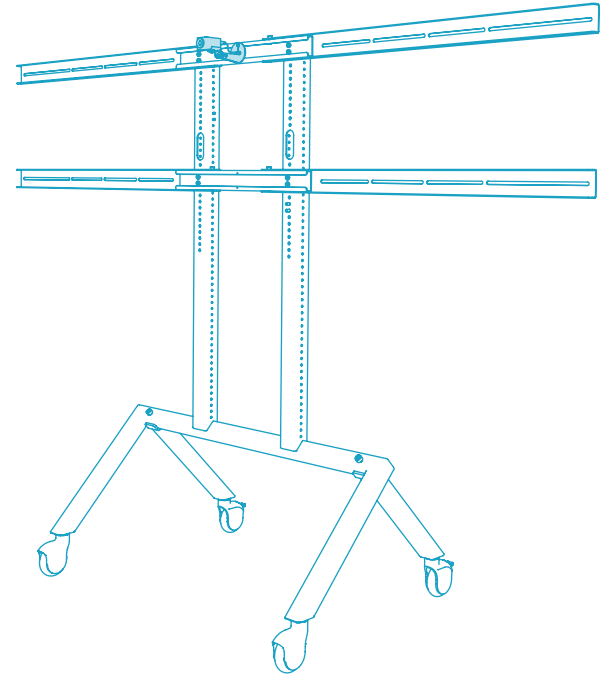
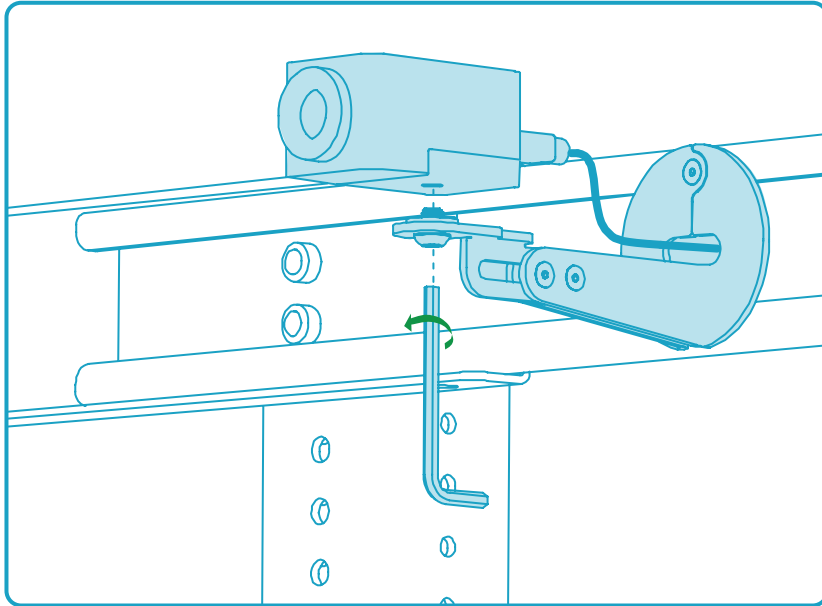
Adjust the length of the camera mount so the camera protrudes from the wall as little as possible.

OPTION B

Install Eyeline Camera Mount to to
H701 Dual Display Kit for Heckler
AV Cart (sold separately).



Install camera.



Adjust depth.

