



17 Inch / Rear Mount Projected Capacitive PCAP Touch

R17ZH-OB-45P0

REAR MOUNT



GVision's line of rear mount projected capacitive displays are purpose built for system builders who require a rugged and durable touch screen solution that can easily be integrated into any embedded application.

Flexible mounting options makes it easy to mount the product into a custom enclosure. It is completely sealed to protect against the elements, which means it can be used either inside or out, and in high-traffic public facing applications.

DVI-D Digital Input

PCAP Touch

VGA Analog Input

LED Backlight Unit

170° / 160° Viewing Angle

IP65 Front Protection

3-Year Warranty

17-Inch / REAL MOUNT PCAP Touch Monitor

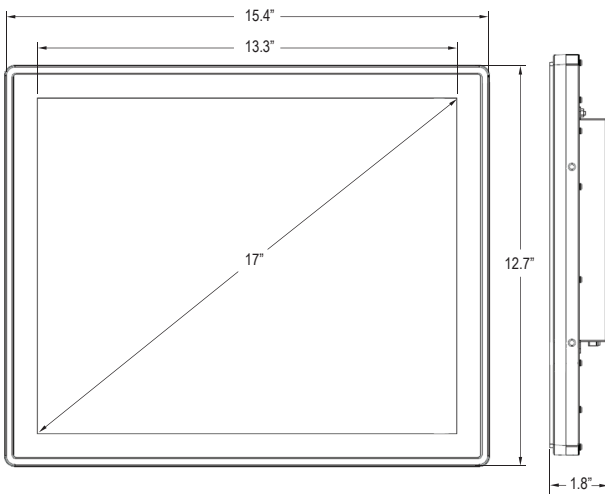


Multi Inputs

Gvision's KISOK Open Frame monitor supports both DVI digital and VGA analog inputs to use as normal office desktop monitors or commercial digital signage.

DIMENSIONS

Unit: Inch



FEATURES

- 17-Inch Screen Size
- 1280 x 1024 Resolution
- Video Signal: **VGA / DVI**
- **10-Points** Projected Capacitive **PCAP** Touch
- **IP65** on the Front (Optional)
- **Zero Pressure** Touch Activation
- **LED** Backlight Unit
- **Metal** Enclosure Material
- **3-Year** Warranty

SPECIFICATIONS

| DISPLAY | R17ZH-OB-45P0 |
|---------------------------|--|
| Screen Size | 17 In |
| Resolution | 1280 x 1024 |
| Backlight | LED |
| Aspect Ratio | 5 : 4 |
| Viewing Angle | 170° / 160° |
| Response Time | 5ms |
| Brightness | 250cd/m ² |
| Contrast Ratio | 1000 : 1 |
| Color Depth | 16.7 M |
| Display Area (mm) | 337.9 x 270.3mm |
| INTERFACE | |
| DVI | 1 |
| HDMI | 0 |
| VGA (15 Pin D-Sub) | 1 |
| Audio | 1 |
| TOUCH TECHNOLOGY | |
| Glass | 2mm Tempered Glass |
| Type | 10 Points Projective Capacitance Touch |
| Support OS | Windows / Linux |
| AUDIO | |
| Speakers | Option |
| CABINET | |
| Material | Metal |
| Black | Black |
| POWER | |
| Consumption | < 18W |
| Electrical Ratings | 12V DC ± 5% (AC 100V ~ 240V, 50/60Hz) |
| TEMPERATURE | |
| Operating | 32° F ~ 104° F (0° C ~ 40° C) |
| DIMENSIONS (WxHxD) | |
| Inch (in) w/o Stand | 15.4 x 12.7 x 1.8 |
| Millimeter (mm) w/o Stand | 391.5 x 323.5 x 47 |
| WEIGHT | |
| Net Weight (w/ Stand) | 8 lbs (4 kg) |
| COMPLIANT | |
| Certification | CE / FCC |
| VESA™ | |
| Mount Size (mm) | 100 x 100 |

Specifications subject to change without any notice