

15 Inch Fanless Dual Screen Touch POS

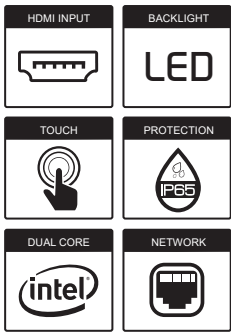
# PC15-W41N-42P2

## POS TOUCH

PC15 is a fanless with dual screen POS system that pushes the limits in modular design to the highest level. Every part of this POS system is design to be easily detachable, ensuring its users the ease of maintenance and longevity of the machine. The full-flat LCD monitor utilizes the advanced Projective Capacity Technology (PCT) and supports multi-touch operation.



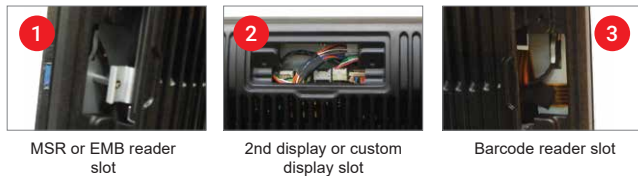
## 15" Fanless Dual Screen Touch POS



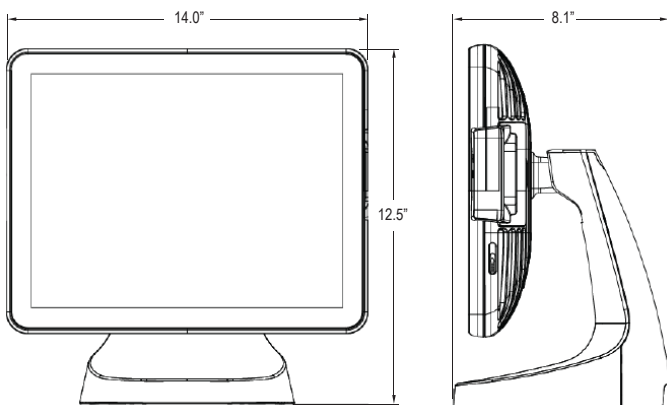
### FEATURES

- Fanless Design
- 6th/7th Generation Intel® Core Processor
- DDR4 Memory, SATA 3.0, SATA III, RAID 0 / 1, Intel i-AMT
- Support Up To 2 External Signage Display
- Aluminum Back Cover for Optimal Thermal Dissipated
- IP65 / NEMA-4 Front Bezel Compliant

### INPUT AND ADVANTAGES



### DIMENSIONS



### SPECIFICATIONS

DISPLAY		PC15-W41N-42P2
Screen Size	15 In	
Resolution	1024 x 768	
Touch Screen	10-Points PCAP Touch	
Tilt Angle	15 to 80 degrees	
MAIN BOARD		
CPU	Intel® i3-6100TE (2.7GHz, Dual Core, 4M Cache)	
Chipset	Q170 Chipset	
System Memory	2 DDR4 SO-DIMM Socket, up to 32GB	
Graphic	Intel® HD Graphics	
STORAGE		
HDD Type	1 x 2.5" SATA III	
RAID	RAID 0 / 1	
INTERFACE		
Parallel	1 x DB-25 Parallel Port	
USB Ports	4 x USB 3.0, 2 x USB 2.0 or Power USB (1 x 12V/2A and 1 x 24V/3A)	
Serial Ports	4 x COM (COM1/2 DB9 with RI/+5VDC Output by BIOS, COM3~4 8P8C with RI/+5VDC/ +12VDC Output by Jumper)	
LAN	2 x RJ45, Giga LAN Support, 1 x Intel I219 LAN, RJ45, 1 x Realtek RTL811G, RJ45	
VGA	1 x Reserved (MAX. Resolution: 1920 x 1080) for 2nd Display	
HDMI	1 x HDMI	
Cash Drawer	1 x RJ-11, +12VDC / +24VDC by Jumper Select	
Audio	1 x Line Out	
DC In / Out	1 x +12VDC / 1 x +12VDC	
MECHANICAL		
Power Adapter	+12V/7.5A, 90W External Power, +12V/12.5A, 150W External Power (Option fo Power USB) 100VAC ~ 240VAC, 50/60Hz	
Compliance	FCC/CE/LVD/BSMI/CB/WEEE/RoHS	
Color	Black / White	
TEMPERATURE		
Operating	32° F ~ 104° F (0° C ~ 40° C)	
DIMENSIONS (WxHxD)		
Inch (in)	14.0 x 12.5 x 8.1	
Millimeter (mm)	356 x 318 x 207	
WEIGHT		
Net Weight	19.8 lbs (9kg)	
OPTIONS		
Optional Peripheral	2nd Display	
	MSR / EMB Reader, NFC, Chip Card Reader	
	Barcode Reader	

Specifications subject to change without any notice