



18.5 Inch WIDE Screen / 10-Points PCAP Touch Monitor

# D19ZC-A2-45P0

## DESKTOP TOUCH

Gvision manufactures a variety of desktop and point of sale (POS) monitors. This 18.5-inch D19ZC is a WIDE touch screen monitor in which available with 10-points multi-touch projected capacitive (PCAP) screens. D19ZC's native resolution is 1366 x 768 but it supports up to 1080p full HD resolution as well.



Supports Up To 1080p



10-Points Touch



250cd/m<sup>2</sup> Brightness



HDMI Digital Input



VGA Analog Input



USB B-Type Touch



IP65 Front (Optional)



LED Backlight Unit



3-Year Warranty

## 18.5-Inch 10-Points PCAP Touch Screen Monitor



### INPUT INTERFACE

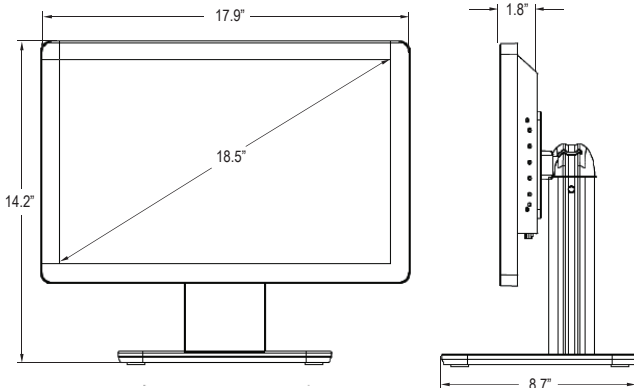


#### Multi Inputs

Gvision's DeskTop / POS monitor supports digital inputs to use as normal office desktop monitor with VGA, HDMI input. Support touch function connected with USB Type-B.

### DIMENSION

Unit: Inch



### FEATURES

- 18.5-Inch Screen Size
- 1366 x 768 Resolution (*Support Up To 1080p*)
- Video Signal: **VGA** (15 Pin D-Sub) / **HDMI**
- **10-Points** Projective Capacitive **PCAP** Touch Technology
- **IP65** on the Front (*Optional*)
- **Zero Pressure** Touch Activation
- **LED** Backlight Unit
- **Metal** Enclosure Material
- **3-Year** Warranty

### SPECIFICATIONS

	D19ZC-A2-45P0
<b>DISPLAY</b>	
Screen Size	18.5 In
Resolution	1366 x 768 (Support Up To <b>1080p</b> )
Backlight	LED
Aspect Ratio	16 : 9
Viewing Angle	178° / 178°
Response Time	5ms
Brightness	400cd/m <sup>2</sup>
Contrast Ratio	1000 : 1
Color Depth	16.7 M
Display Area (mm)	409.8 x 230.4mm
<b>INTERFACE</b>	
HDMI	1
VGA (15 Pin D-Sub)	1
Audio	1
USB (B-Type)	1
<b>TOUCH TECHNOLOGY</b>	
Material	2 mm Glass
Points / Type	10 Max / Projected Capacitive (PCAP)
Accuracy	2 mm
<b>CABINET</b>	
Material	Plastic Frame / Metal Housing
Color	Black
<b>POWER</b>	
Consumption	14W Max Standby ≤ 0.5W
Electrical Ratings	12VDC ± 5% (Adapter Input AC 100V ~ 240V, 50/60Hz)
<b>TEMPERATURE</b>	
Operating	32° F ~ 104° F (0° C ~ 40° C)
Storage	-4° F ~ 140° F (-20° C ~ 60° C)
<b>HUMIDITY</b>	
Operating	20% ~ 80%
Storage	10% ~ 90%
<b>DIMENSIONS (W×H×D)</b>	
Inch (in)	17.86 x 14.22 x 8.64
Millimeter (mm)	453.84 x 361.42 x 219.70
<b>WEIGHT</b>	
Net Weight	14.3 lbs (6.5 kg)
<b>COMPLIANT</b>	
Certification	CE / FCC
<b>VESA™</b>	
Mount Size (mm)	100 x 100

*Specifications subject to change without any notice*