



15.6 Inch WIDE Screen / PCAP Touch Monitor

D15ZD-AV-45P0

DESKTOP TOUCH

GVision manufactures a variety of desktop and point of sale (POS) monitors. This 15.6" WIDE touch screen monitors are available with 10-point multi touch projected capacitive (PCAP) screens



WIDE
Screen Size



10-Points
Touch



DVI-D Digital
Input



HDMI Digital
Input



VGA Analog
Input



USB B-Type
Touch



IP65
Protected

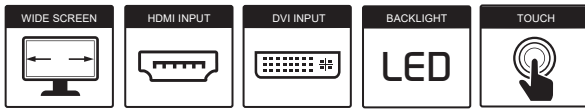


LED
Backlight
Unit



3-Years
Warranty

15.6-Inch FHD WIDE PCAP Touch Screen Monitor



FEATURES

- 15.6-Inch WIDE Screen Size
- 1920 x 1080 Full HD Resolution
- Video signal: VGA / DVI / VGA
- IP65 on the Front (Optional)
- Zero Pressure Touch Activation
- LED Backlight Unit
- Metal Enclosure Material

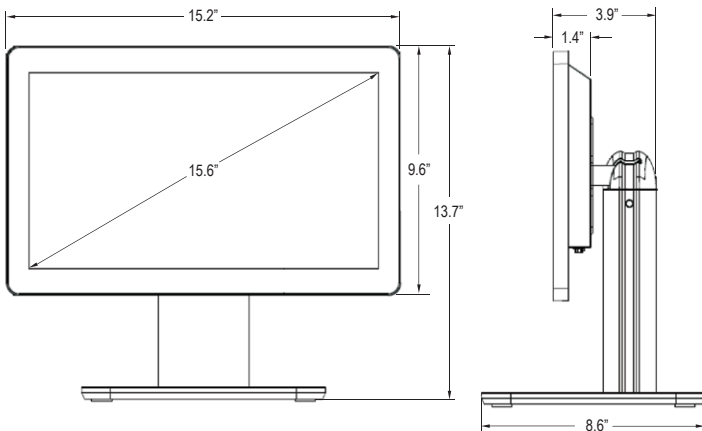
INPUT INTERFACE



Multi Inputs

Gvision's Desktop/ POS monitor supports both digital DVI, HDMI and analog VGA inputs to use as normal office desktop monitor. Also, it support USB-Type B to use touch function as well.

DIMENSIONS



SPECIFICATIONS

DISPLAY	D15ZD-AV-45P0
Screen Size	15.6 In
Resolution	1920 x 1080
Backlight	LED
Aspect Ratio	16 : 9
Viewing Angle	170° / 170°
Response Time	30ms
Brightness	220cd/m ²
Contrast Ratio	800 : 1
Color Depth	262KM
Display Area (mm)	344.16 x 193.59mm
INTERFACE	
DVI	1
HDMI	1
VGA (15 Pin D-Sub)	1
TOUCH TECHNOLOGY	
Glass	2mm Tempered Glass
P-Cap Type	10 Points Projective Capacitance Touch
FEATURES	
Support OS	Windows / Linux
AUDIO	
Speakers	Option
CABINET	
Material	Metal
POWER	
Consumption	< 12W
Electrical Ratings	12V DC ± 5% (AC 100V ~ 240V, 50/60Hz)
TEMPERATURE	
Operating	32° F ~ 104° F (0° C ~ 40° C)
DIMENSIONS (WxHxD)	
Inch (in) w/ Stand	15.2 x 13.7 x 8.6
Millimeter (mm) w/ Stand	387.5 x 348.1 x 220.0
WEIGHT	
Net Weight	12.1 lbs (5.5kg)
VESA™	
Mount Size (mm)	100 x 100

Specifications subject to change without any notice