

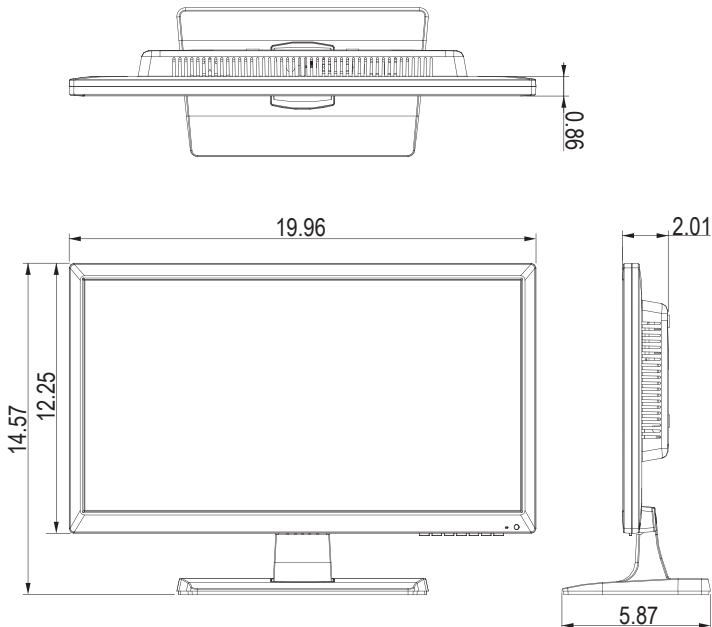


C22BD-A6-4000

Gvision's CCTV security monitors are design for 24 / 7 / 365 operating. It support HDMI, VGA, BNC CVBS. C22BD security CCTV monitor is featured Anti-Pixel burn technology and display superior quality of picture on the screen.

DIMENSION

Unit: Inch



FEATURES

- 21.5-Inch Screen Size
- 1920 x 1080 FHD Resolution
- Video Inputs: HDMI / VGA / BNC CVBS In / Out
- 3D Comb Filter / Noise Reduction / Anti Pixel Burn
- BNC CVBS Looping Inputs
- LED Backlight Unit
- 24/7 Operation Commercial CCTV Monitor
- 3-Year Warranty

SPECIFICATIONS

1080P
FULL HD

DISPLAY	C22BD-A6-4000
Screen Size	21.5 In
Resolution	1920 x 1080
Backlight	LED
Aspect Ratio	16 : 9
Viewing Angle	178° / 178°
Response Time	5ms (G2G)
Brightness	250cd/m ²
Contrast Ratio	1000:1
Color Depth	16.7M
INTERFACE	
CVBS BNC In	1
CVBS BNC Out	1
HDMI In	1
VGA In	1
AUDIO	
Speaker	2W x 2 (option)
FEATURES	
Filter	3D combo filter
Noise Reduction	Yes
Anti Picture Burn-in	Yes
Remote Control	Yes
CABINET	
Color	Black
POWER	
Consumption	< 20W
Electrical Ratings	12V DC / 3A (AC 100V ~ 240V, 50/60Hz)
TEMPERATURE	
Operating	-4° F ~ 122° F (-20° C ~ 50° C)
Storage	-22° F ~ 158° F (-30° C ~ 70° C)
DIMENSIONS (WxHxD)	
Inch w/ Stand (in)	19.96 x 14.57 x 5.87
Millimeter w/ Stand (mm)	507.1 x 370.3 x 149.1
WEIGHT	
Net Weight	8.81 lbs (4.0 Kg)
VESA™	
Mount Size (mm)	100 x 100
ACCESSORY	
Accessories	Remote control, signal cable, user's manual, Power adaptor

Specifications subject to change without any notice