



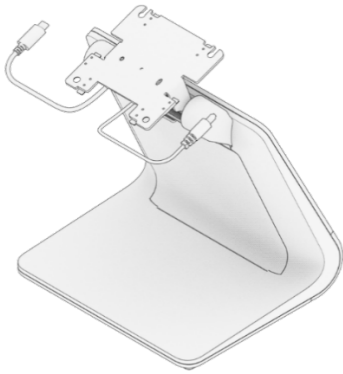
## **Assembly Instructions**

# Z20 POS Stand

Revision B  
P/N E217972

# Box Contents

**Stand**  
qty 1



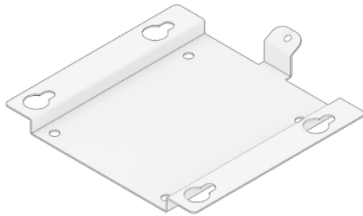
**VESA Cover, Top, 10"**  
qty 1



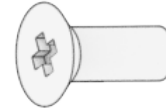
**Screw Height Tool**  
qty 1



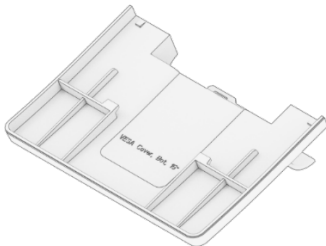
**Base Plate**  
qty 1



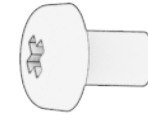
**M4x10 Phillips Flat Head Screw**  
qty 8, Bag A



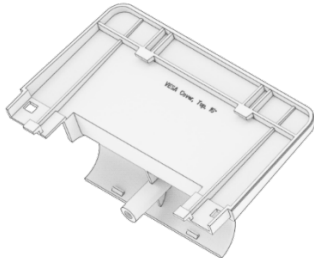
**VESA Cover, Bottom, 15"**  
qty 1



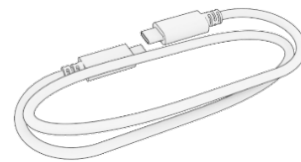
**M4x6 Phillips Pan Head Screw**  
qty 2, Bag B



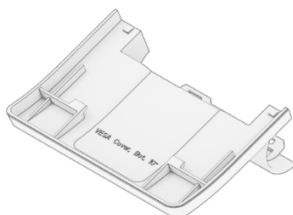
**VESA Cover, Top, 15"**  
qty 1



**USB-C Cable**  
qty 1



**VESA Cover, Bottom, 10"**  
qty 1

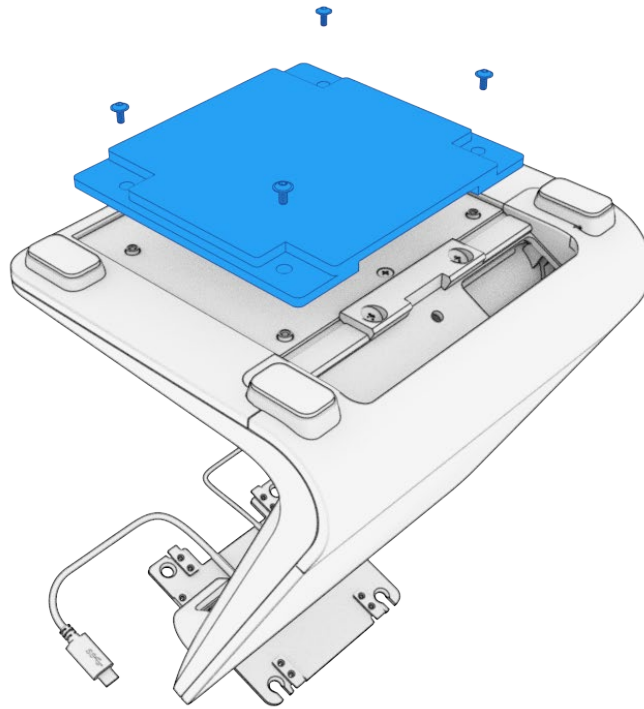


**150W Power Supply**  
qty 1

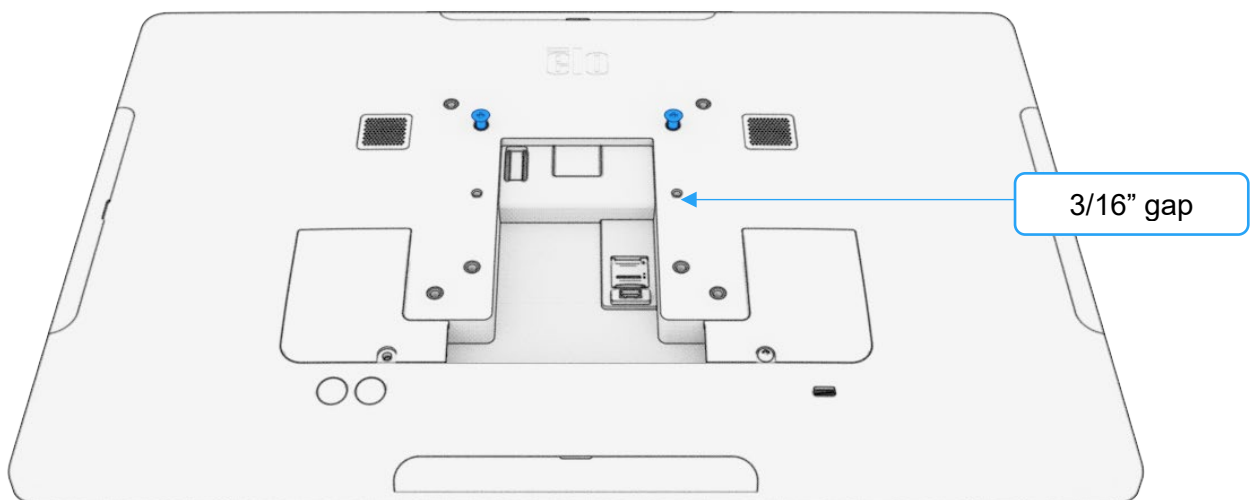
**Cable Tie**  
qty 1

Recommended Assembly Torque	
Thread	Torque
M4	12 in-lb (1.4 N-m)

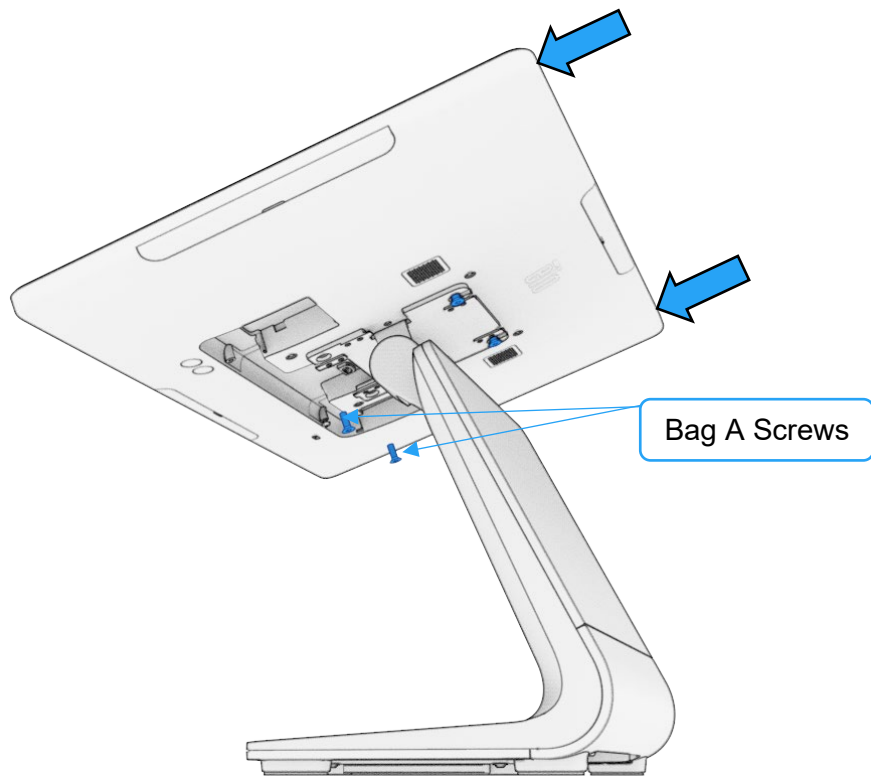
Step 1: If attaching stand to counter using screw-down method, remove 4 screws to disassemble weighted plate. Reinstall 4 screws back into stand.



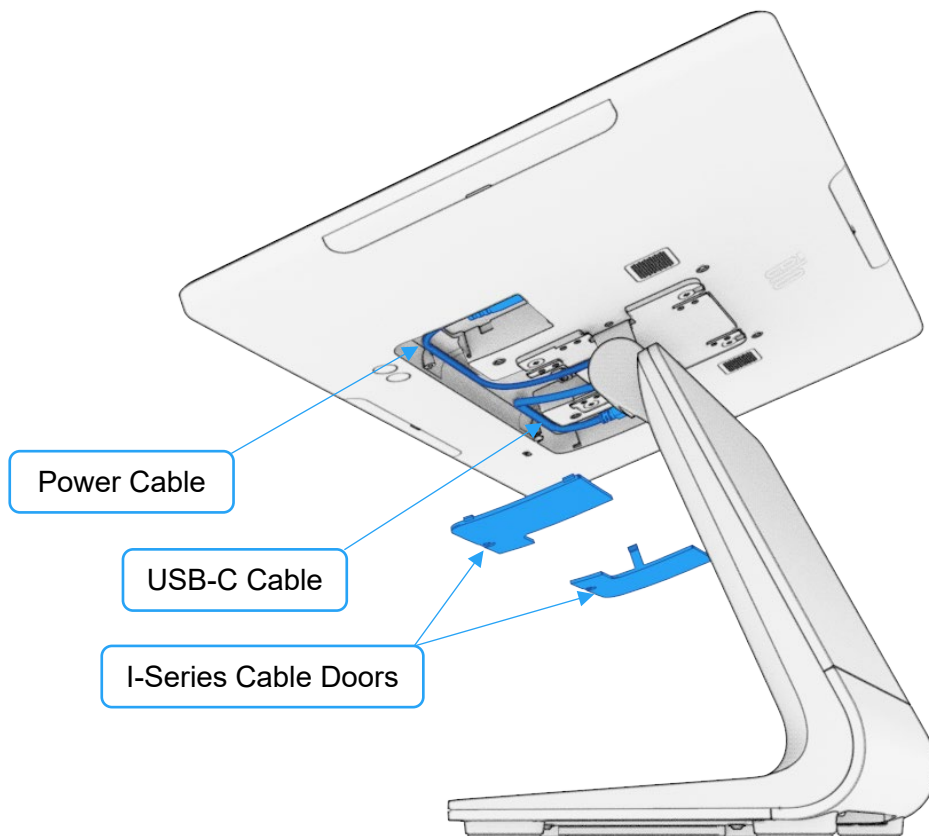
Step 2: Install 2 screws from bag A into I-Series as shown, using 2 top holes in 75mm VESA pattern. Do not tighten screws fully. Leave top of screws approximately 3/16" above back of I-Series.



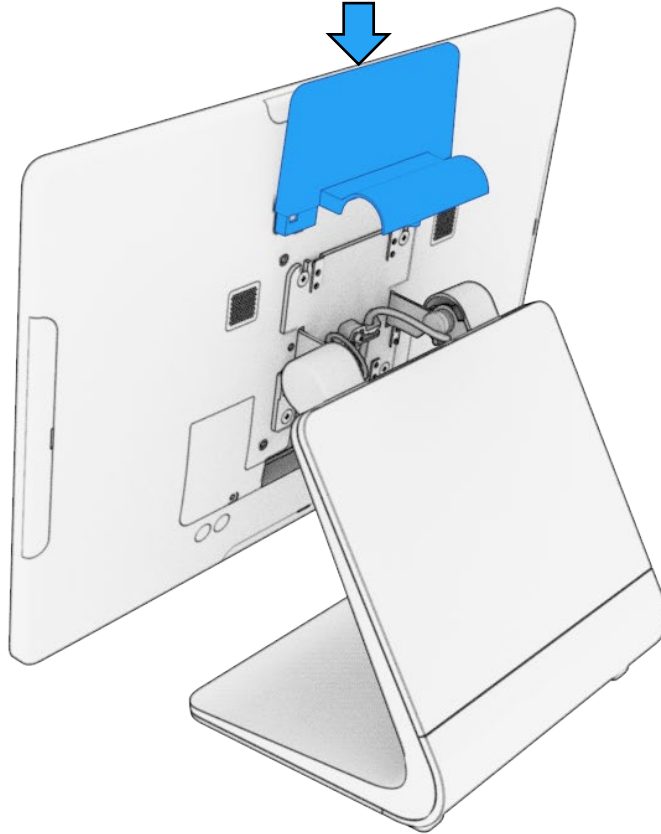
Step 3: Remove I-Series cable doors. Assemble I-Series to stand as shown, sliding 2 screws from step 2 into upper slotted holes on stand VESA bracket. Tighten screws. Install 2 screws from bag A into lower holes on stand VESA bracket. All VESA screws to be tightened to 12 in-lb (1.4 N-m).



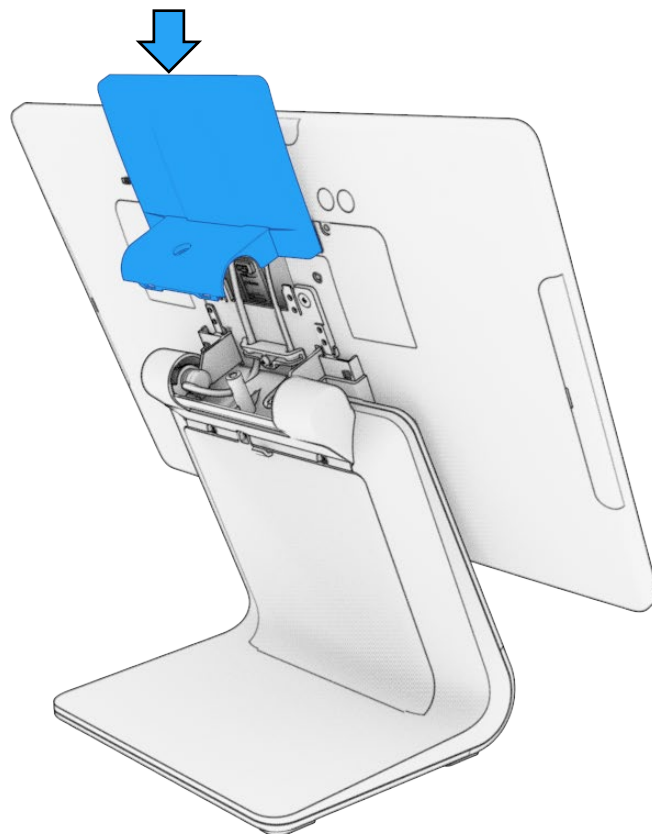
Step 4: Connect power and USB-C cables from stand to I-Series. Reassemble I-Series cable covers.



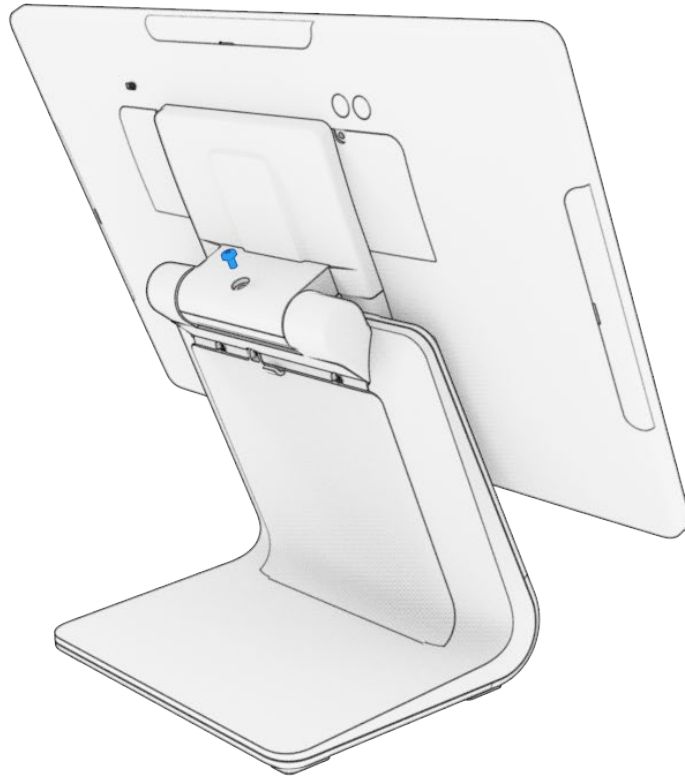
Step 5: Assemble top VESA cover by sliding down onto stand VESA bracket. Use VESA covers corresponding to the I-Series size you are installing (10" or 15").



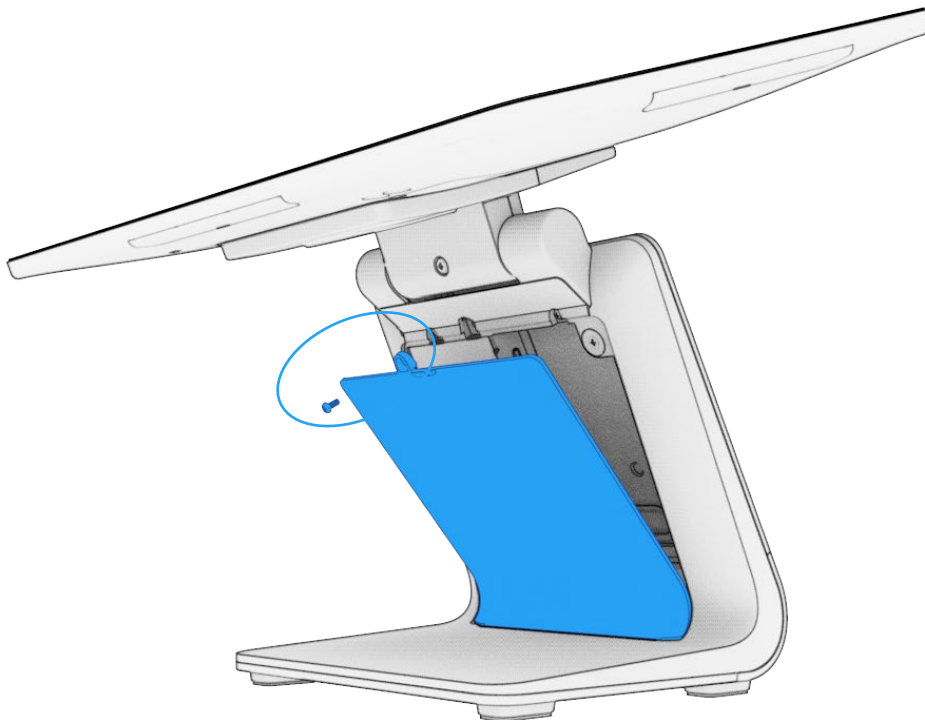
Step 6: Flip I-series over by rotating stand hinge. Assemble bottom VESA cover by sliding down onto stand VESA bracket.



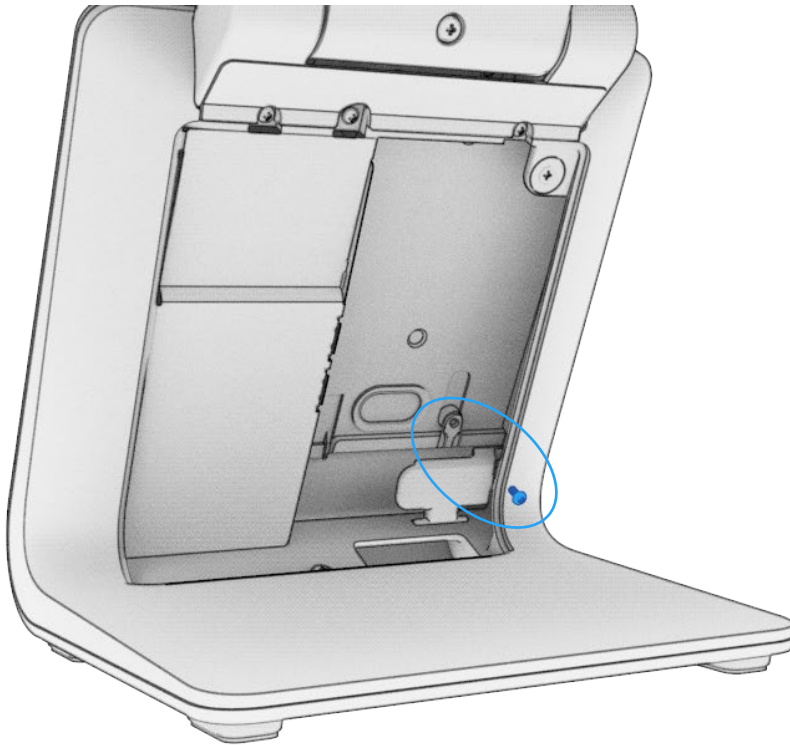
Step 7: Secure using screw provided with VESA covers.



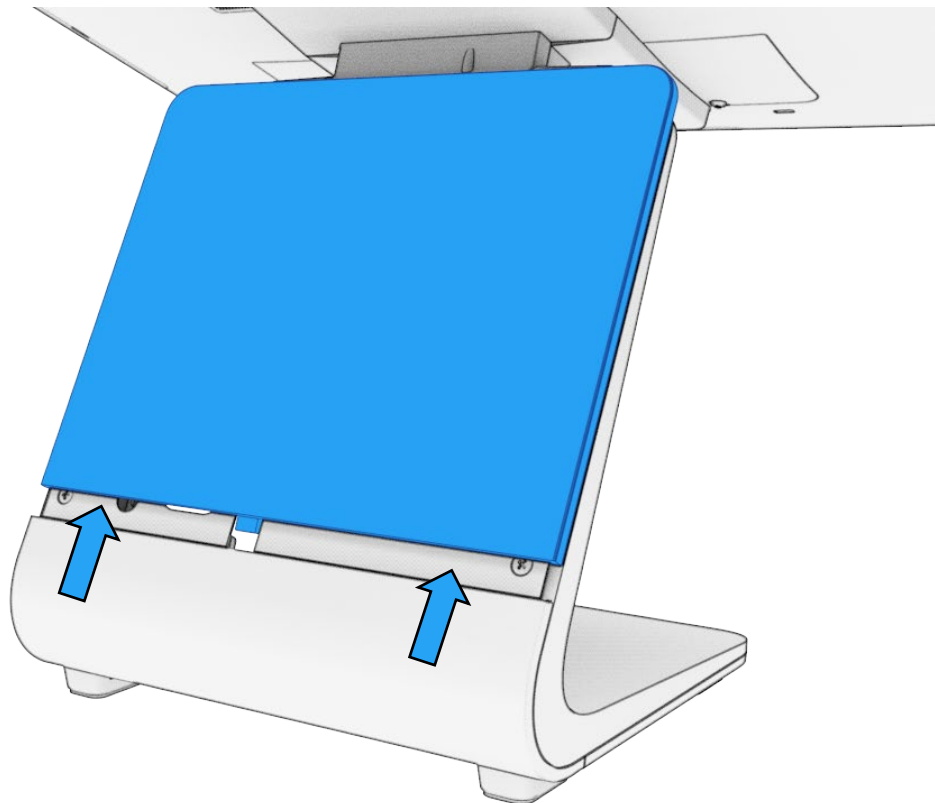
Step 8: Remove center screw securing top of door. Tilt open door by grabbing tab at top of door.



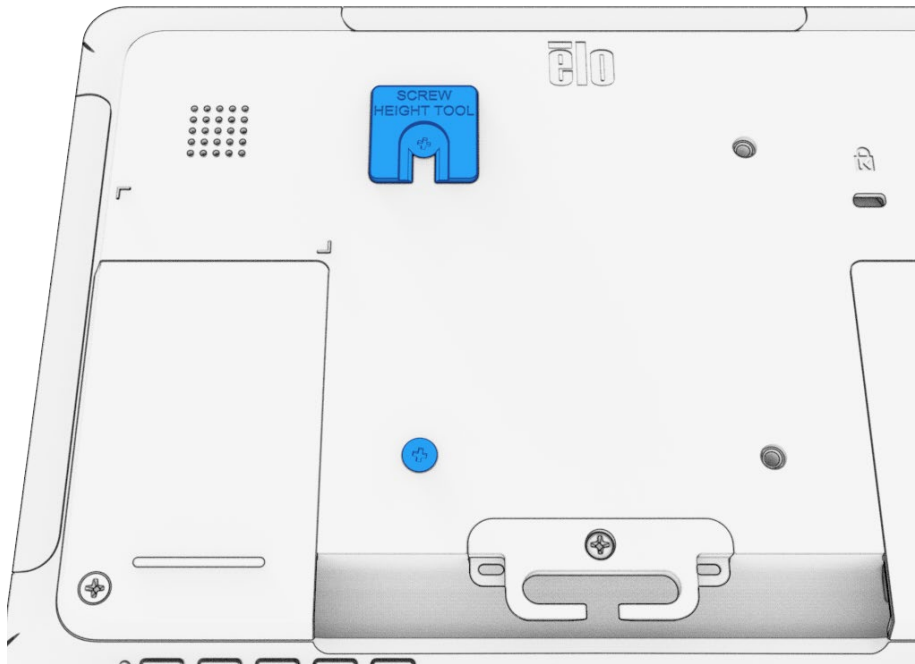
Step 9: If adding a customer-facing display (CFD), remove screw securing front cover. Otherwise skip to step 15.



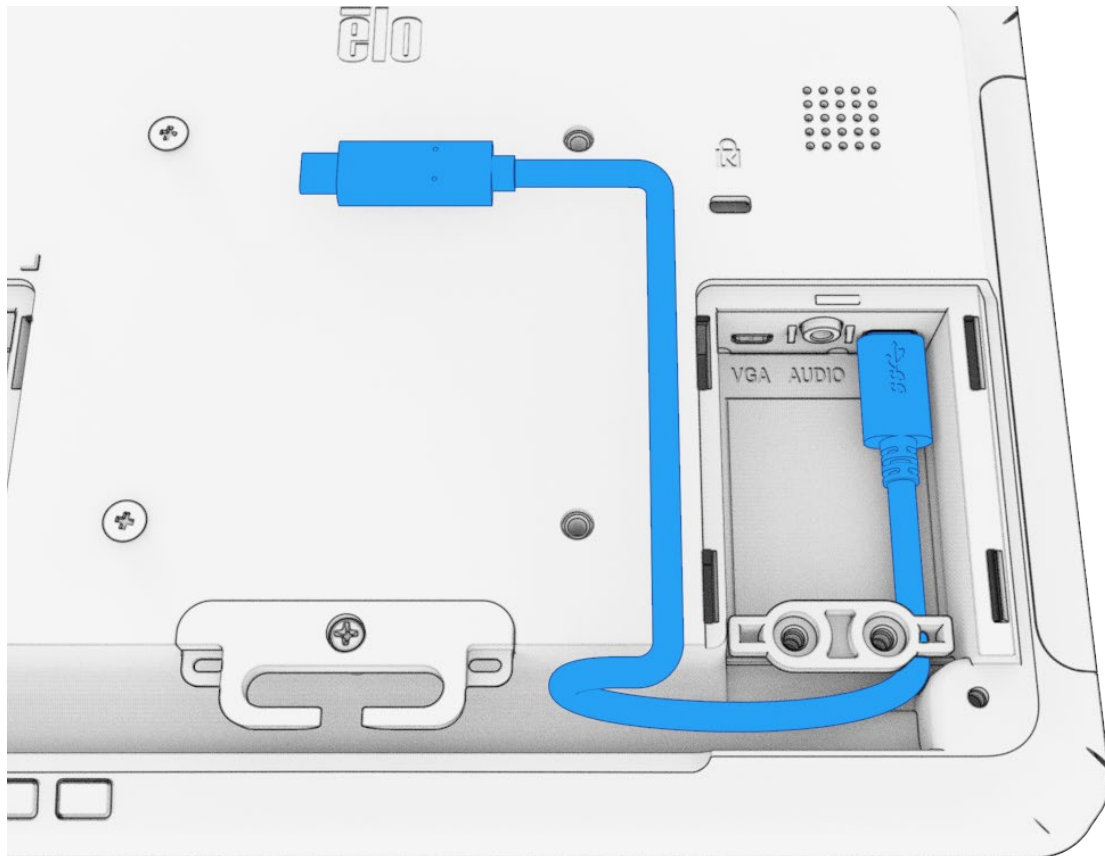
Step 10: Slide front cover up and remove.



Step 11: Install 2 screws from bag A into left holes of CFD as shown (75mm VESA pattern). Use screw height tool to set screw height. Tighten screws down until screws just touch screw height tool, then remove tool.

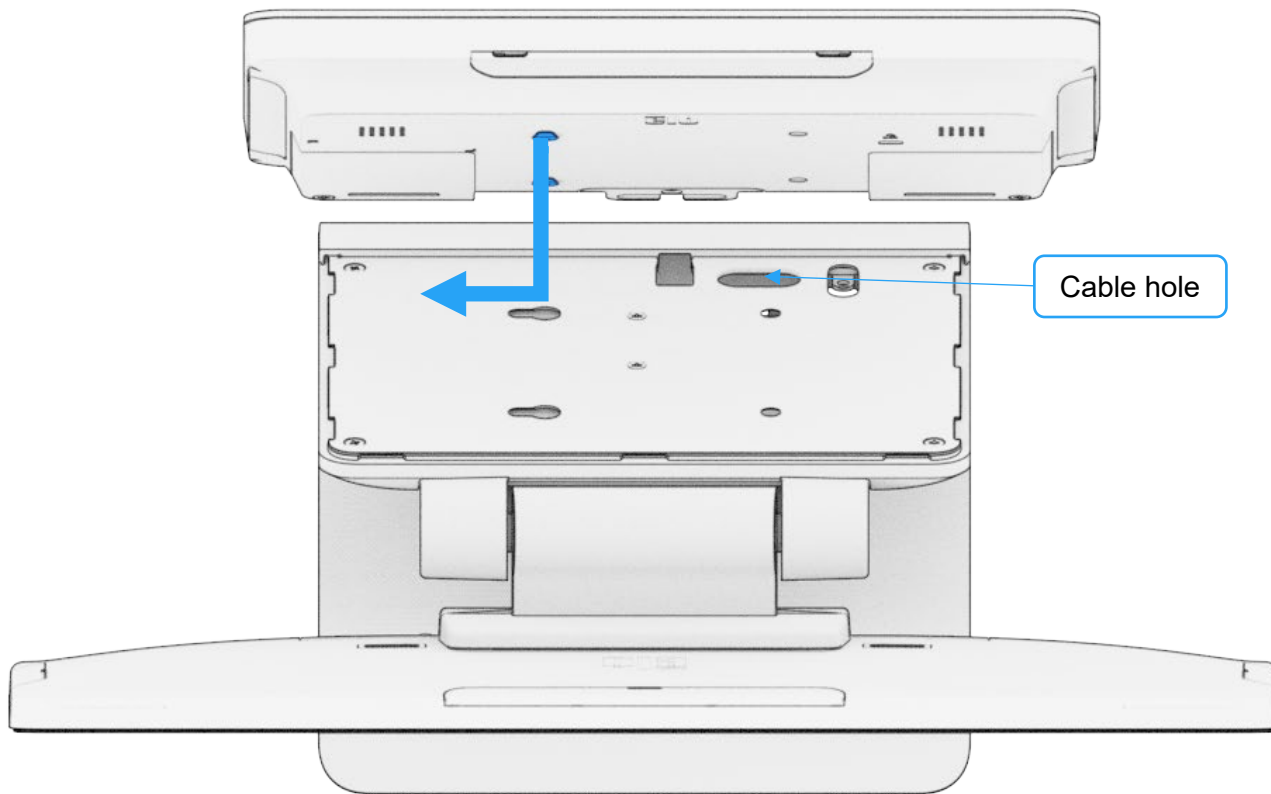


Step 12: Remove CFD cable doors. Connect USB-C cable (included with stand) to CFD. Attach CFD cable clamps. Reinstall CFD cable doors.

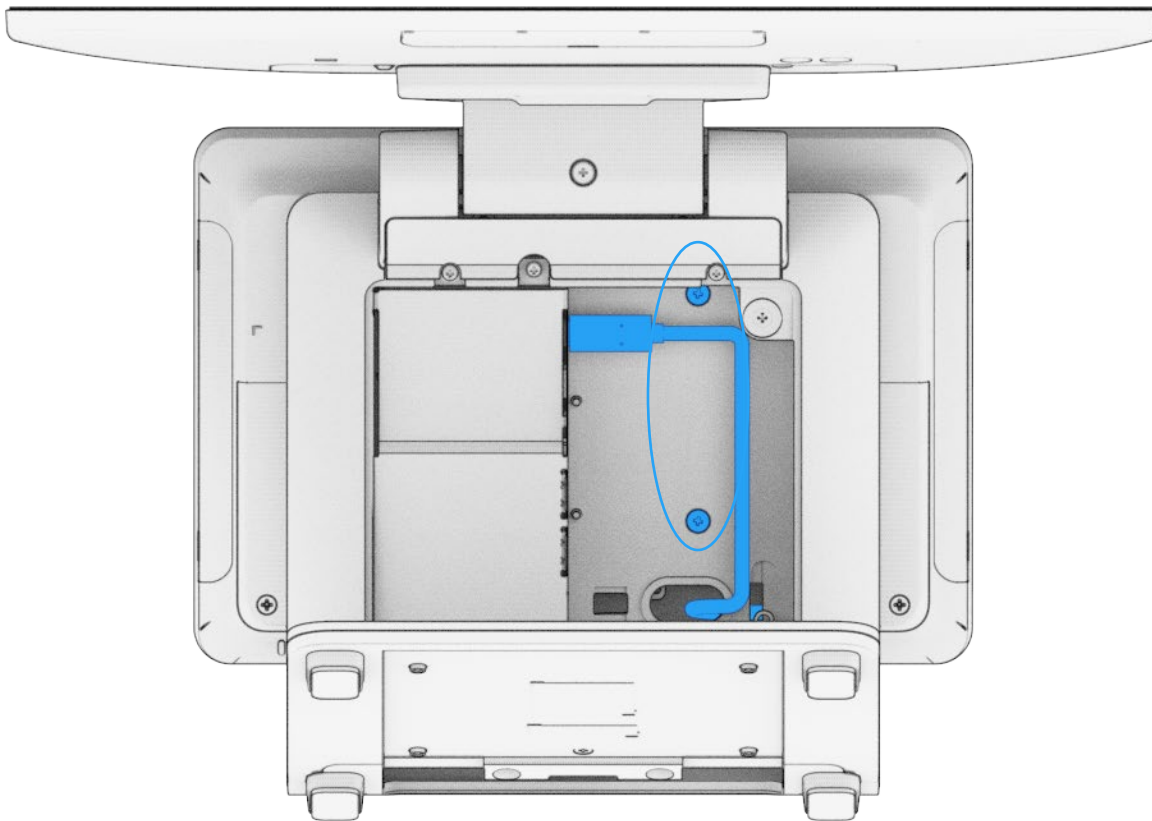




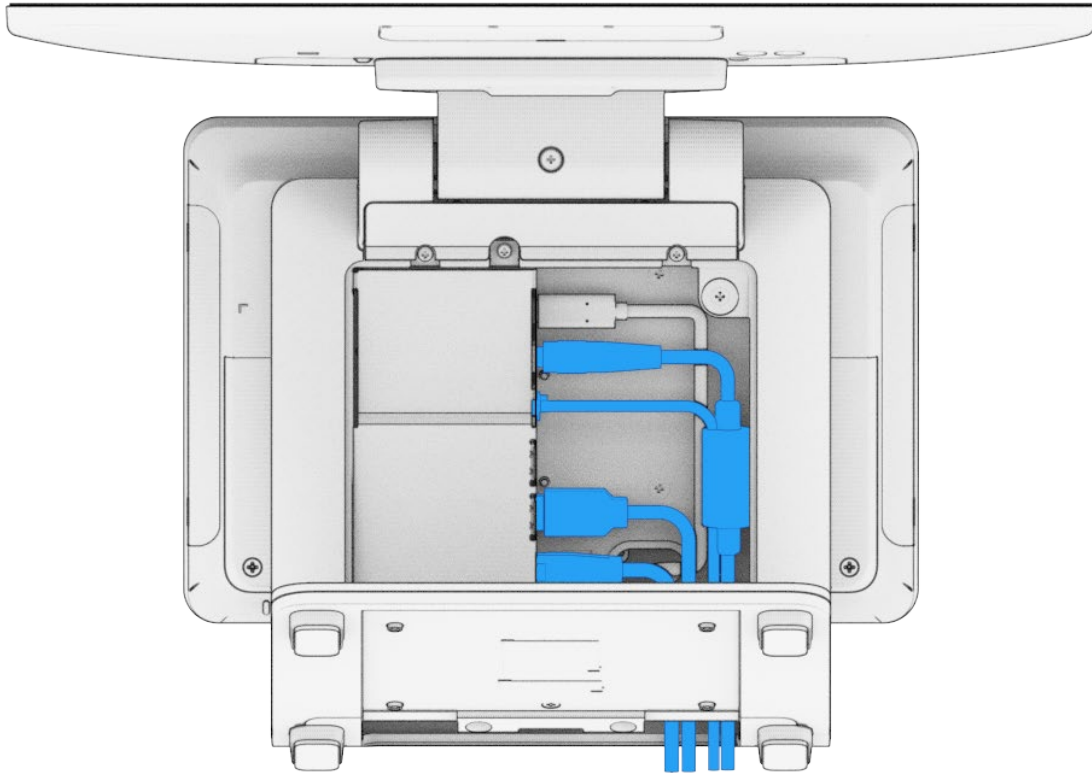
Step 13: Feed other end of USB-C cable through cable hole in stand. Assemble CFD onto stand, aligning 2 screws from step 11 with keyholes in stand. Once screws are engaged with keyholes, slide CFD as shown until seated.



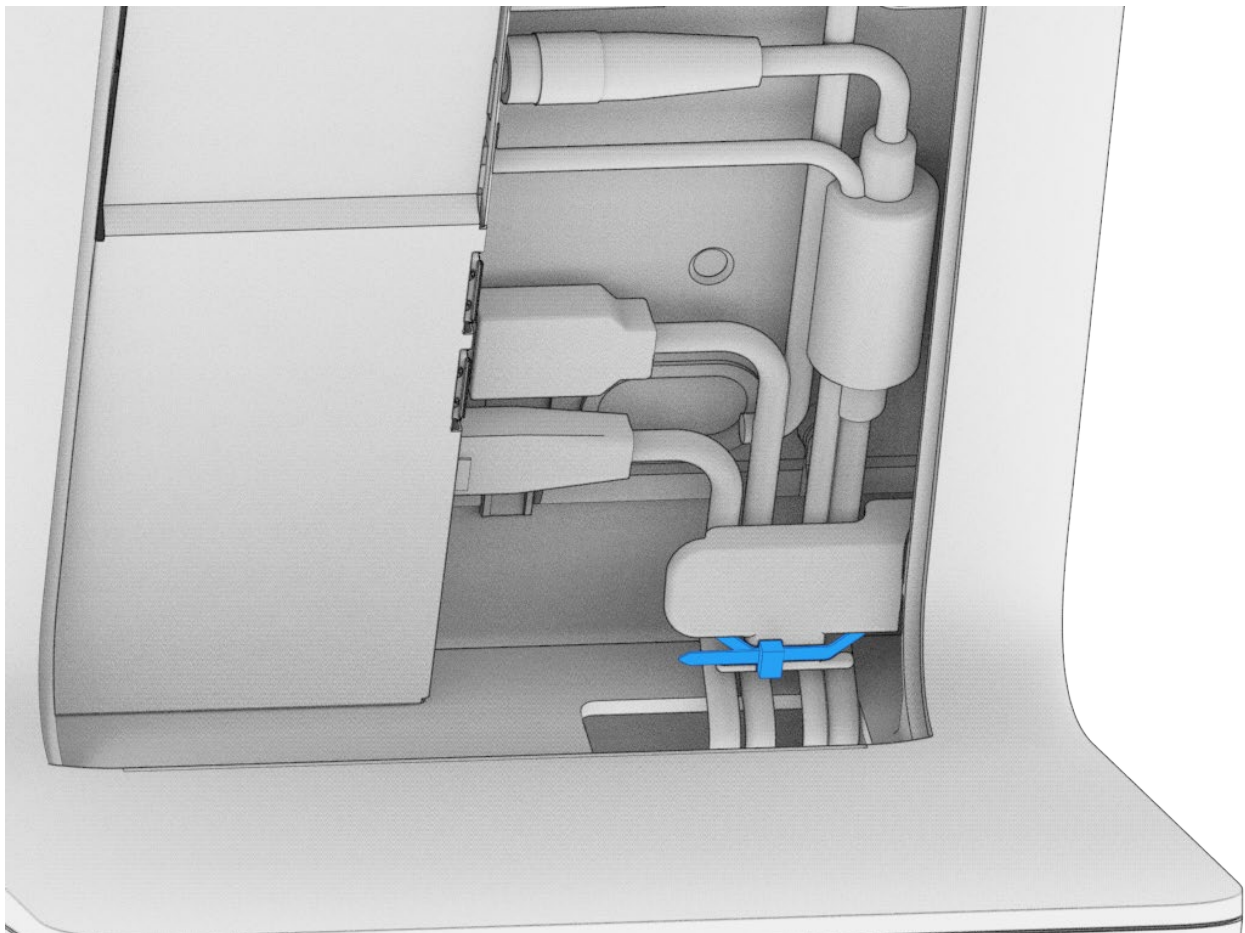
Step 14: Install 2 screws from bag A into remaining 2 VESA holes in CFD. Connect USB-C cable to stand connector.



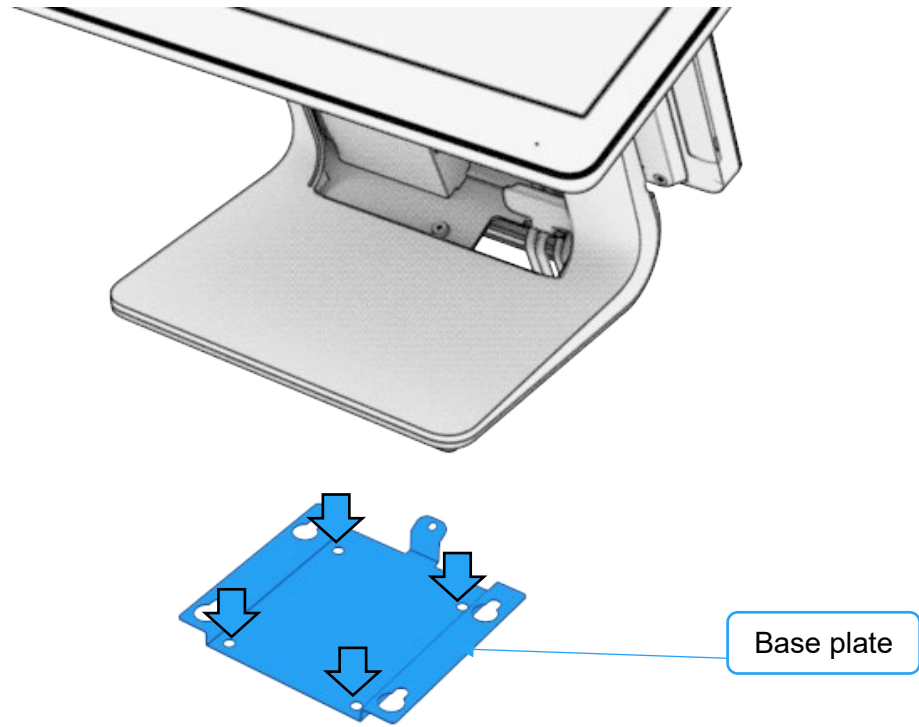
Step 15: Connect stand power supply, LAN, and external peripherals to stand, routing cables through hole in bottom of stand.



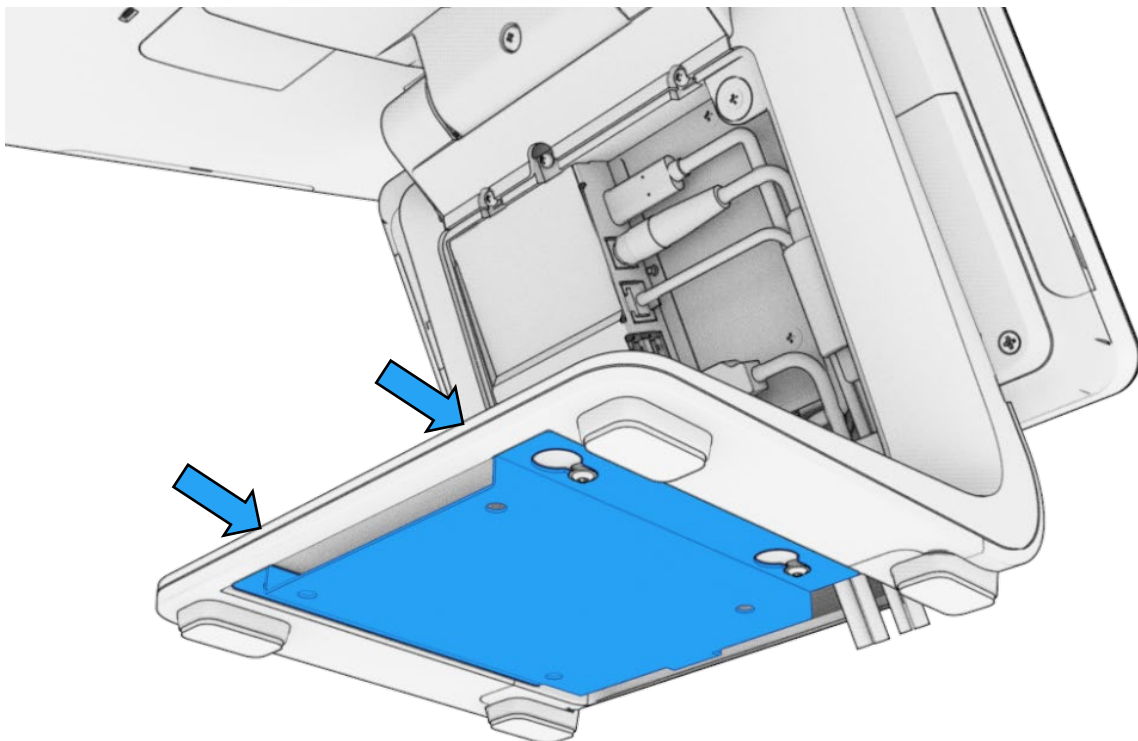
Step 16: Secure cables to cable retainer using cable tie. If screwing down to counter, proceed to step 17. If not screwing down to counter, reinstall door and door screw from step 8. Product assembly is complete and ready to use.



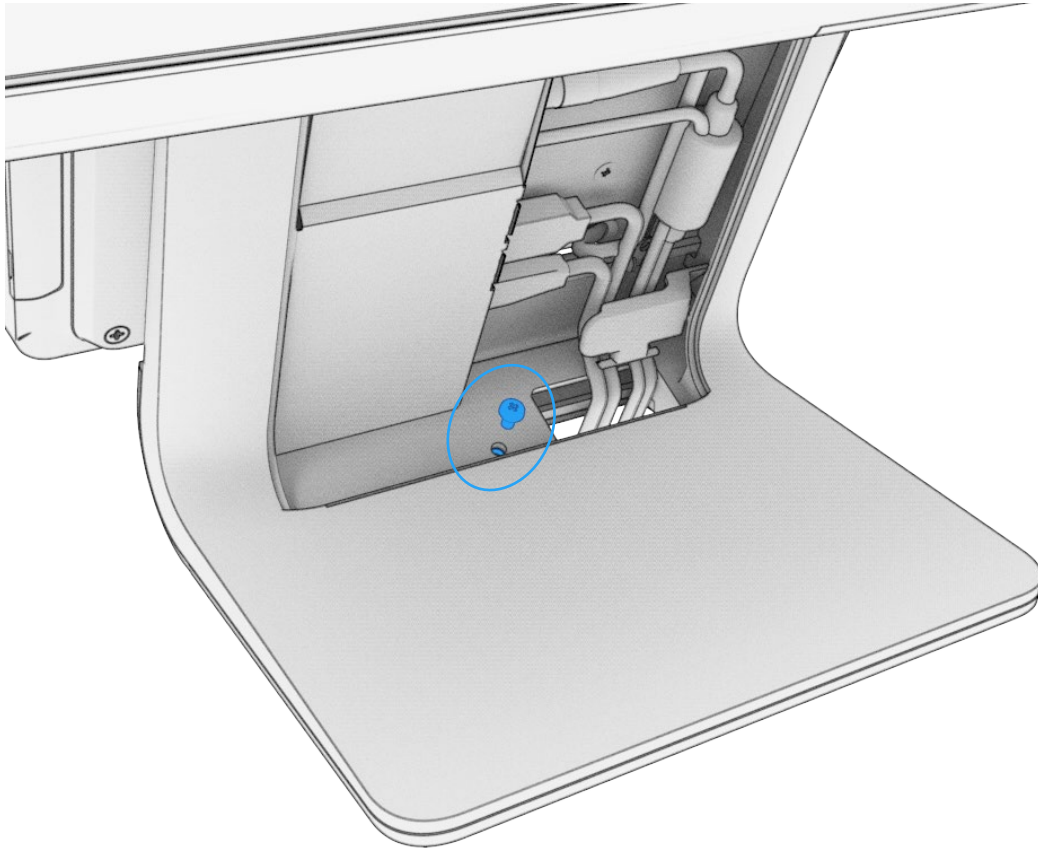
Step 17: Screw base plate to countertop (4 places).



Step 18: Drop stand onto base plate so screws in bottom of stand (from step 1) align with keyholes in base plate. Slide stand back to engage screws fully into keyholes.



Step 19: Add screw from bag B to secure stand to base plate. Reinstall door and screw from step 7.  
Product assembly is complete and ready to use.



Learn more about Elo at [EloTouch.com](https://www.elotouch.com).

**Americas**

Tel +1 408 597 8000  
EloSales.NA@elotouch.com

**Europe (EMEA)**

Tel +32 16 930 136  
EMEA.sales@elotouch.com

**Asia Pacific**

Tel +86 (21) 3329 1385  
EloAsia@elotouch.com

The information in this document is subject to change without notice. Elo Touch Solutions, Inc. and its Affiliates (collectively "Elo") makes no representations or warranties with respect to the contents herein, and specifically disclaims any implied warranties of merchantability or fitness for a particular purpose. Elo reserves the right to revise this publication and to make changes from time to time in the content hereof without obligation of Elo to notify any person of such revisions or changes.

No part of this publication may be reproduced, transmitted, transcribed, stored in a retrieval system, or translated into any language or computer language, in any form or by any means, including, but not limited to, electronic, magnetic, optical, chemical, manual, or otherwise without prior written permission of Elo Touch Solutions, Inc.

Elo and the Elo logo are either trademarks or registered trademarks of Elo Touch Solutions, Inc.

