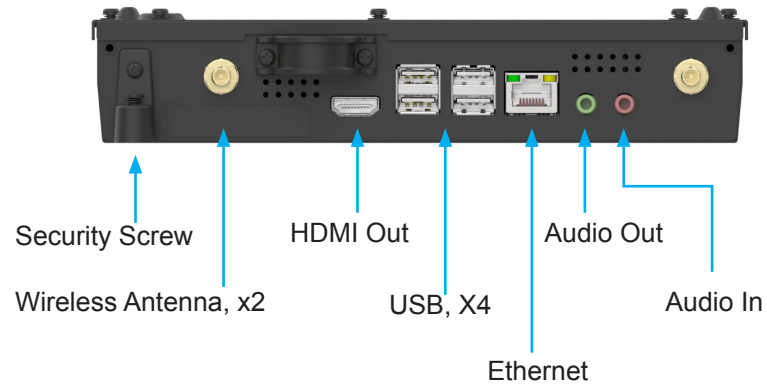


## Quick Installation Guide

# Computer Module for Elo IDS XXX3 Series



### Elo Touch Solutions Technical Support

Online self-help:  
[www.elotouch.com/support](http://www.elotouch.com/support)

#### North America

800-ELO-TOUCH  
Tel +1 408 597 8000  
Fax +1 408 597 8050  
[EloSales.NA@elotouch.com](mailto:EloSales.NA@elotouch.com)

#### Asia-Pacific

Tel +86 (21) 3329 1385  
Fax +86 (21) 3329 1400  
[EloAsia@elotouch.com](mailto:EloAsia@elotouch.com)

#### Europe

Tel +32 (0)16 70 45 00  
Fax +32 (0)16 70 45 49  
[elosales@elotouch.com](mailto:elosales@elotouch.com)

#### Latin America

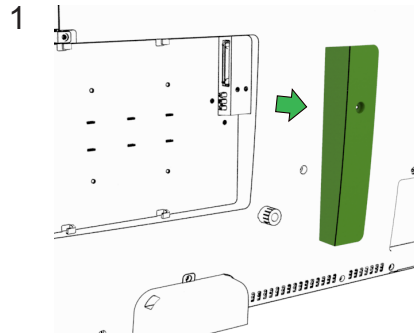
Tel +52 55 2281-6958  
[EloSales.LATAM@elotouch.com](mailto:EloSales.LATAM@elotouch.com)

Revision A  
P/N E911261

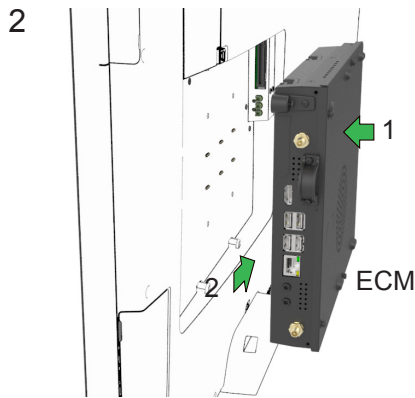
The information in this document is subject to change without notice. Elo Touch Solutions, Inc. and its Affiliates (collectively "Elo") makes no representations or warranties with respect to the contents herein, and specifically disclaims any implied warranties of merchantability or fitness for a particular purpose. Elo reserves the right to revise this publication and to make changes from time to time in the content hereof without obligation of Elo to notify any person of such revisions or changes.

No part of this publication may be reproduced, transmitted, transcribed, stored in a retrieval system, or translated into any language or computer language, in any form or by any means, including, but not limited to, electronic, magnetic, optical, chemical, manual, or otherwise without prior written permission of Elo Touch Solutions, Inc.

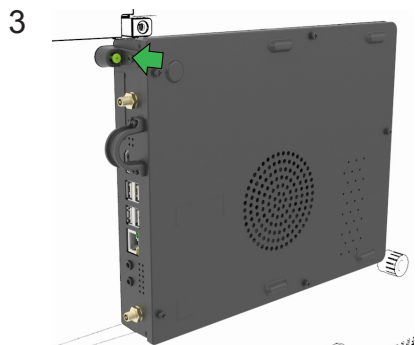
Elo (logo) and Elo Touch Solutions are trademarks of Elo and its Affiliates.



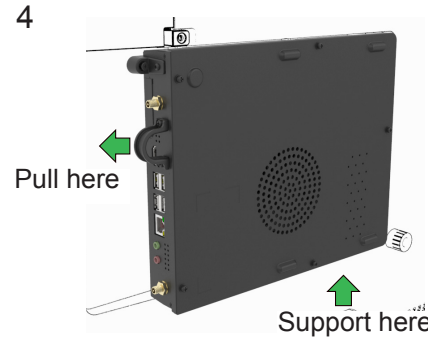
1 Remove the screw from the ECM docking tray cover.



2 Place the ECM guide rails over the corresponding guides on the rear of the IDS Display and then slide it back toward the docking connectors. Visually inspect it to make sure it seated completely.

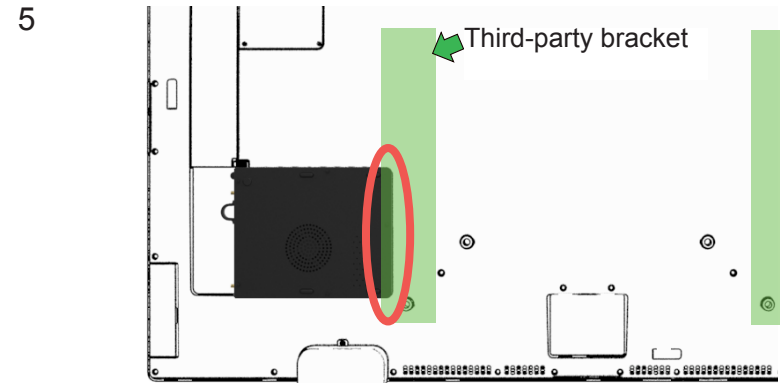


3 Use a screw driver to tighten the ECM security screw. The security screw must be installed to ensure the ECM does not come out inadvertently.



4 To remove the ECM, power down the system and loosen the security screw.

Gently pull the ECM out by the handle while supporting it on the bottom side to ensure it doesn't fall during removal.



Some third-party VESA mounting systems may interfere with installation or removal of the ECM. The ECM kit includes a set of 15mm spacers and longer mounting screws to add additional clearance between the VESA mount and the ECM. Do not block any air venting on the ECM or IDS display.

Elo low-profile wallmounts (See [elotouch.com](http://elotouch.com) for P/N) does not require these spacers or screws when using an Elo ECM.

