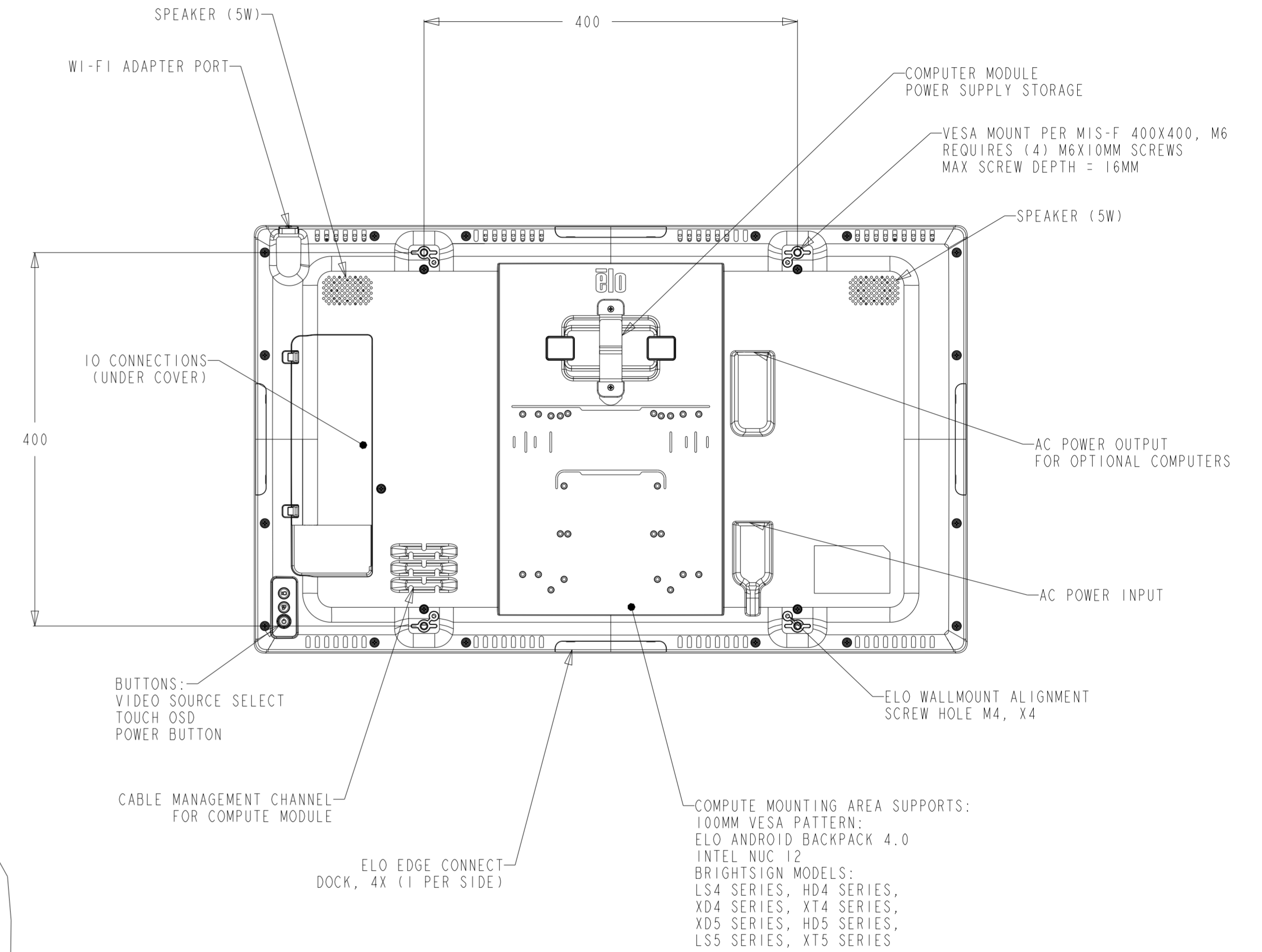
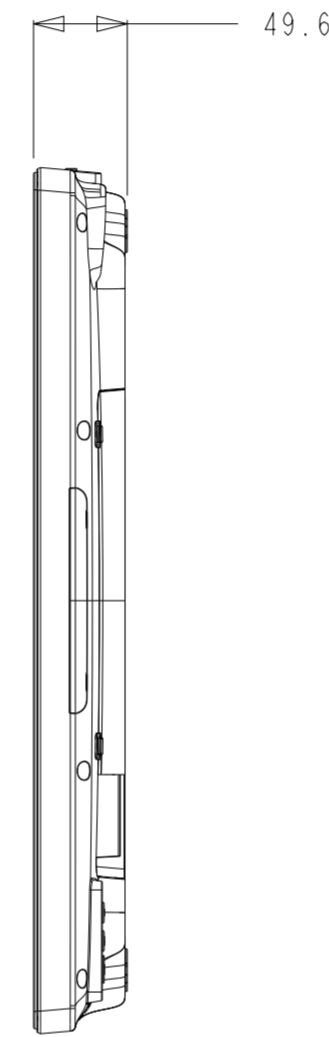
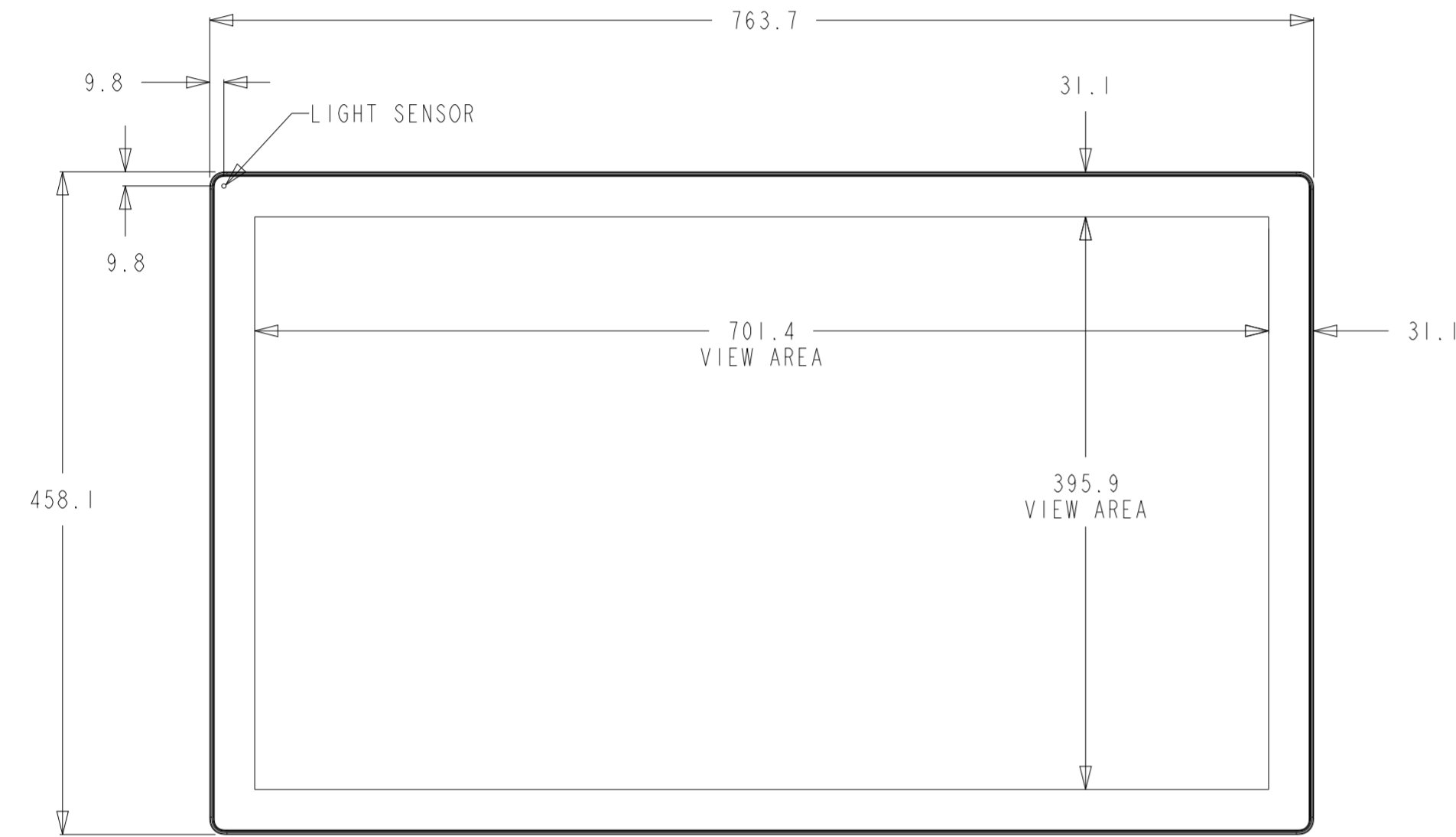
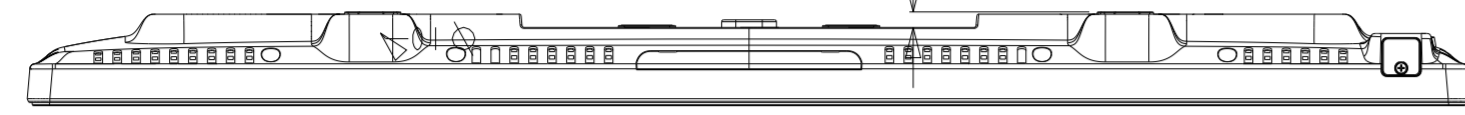
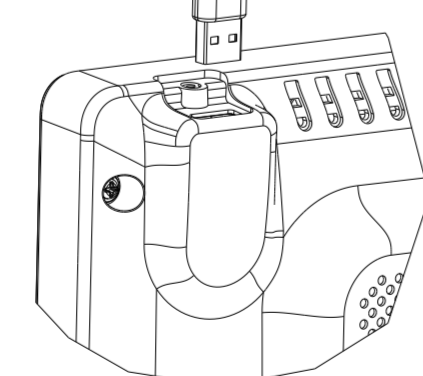
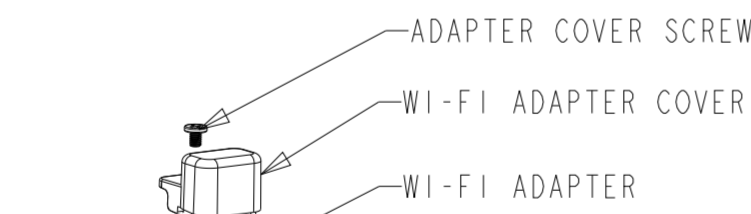
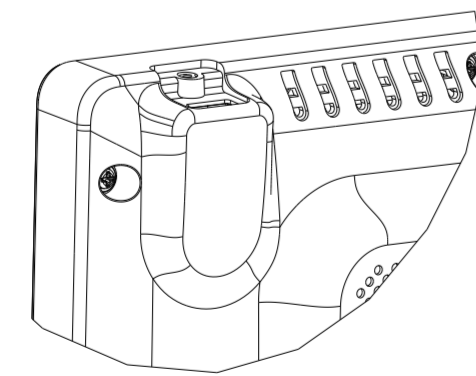


DIMENSIONAL DRAWING: ET3204L

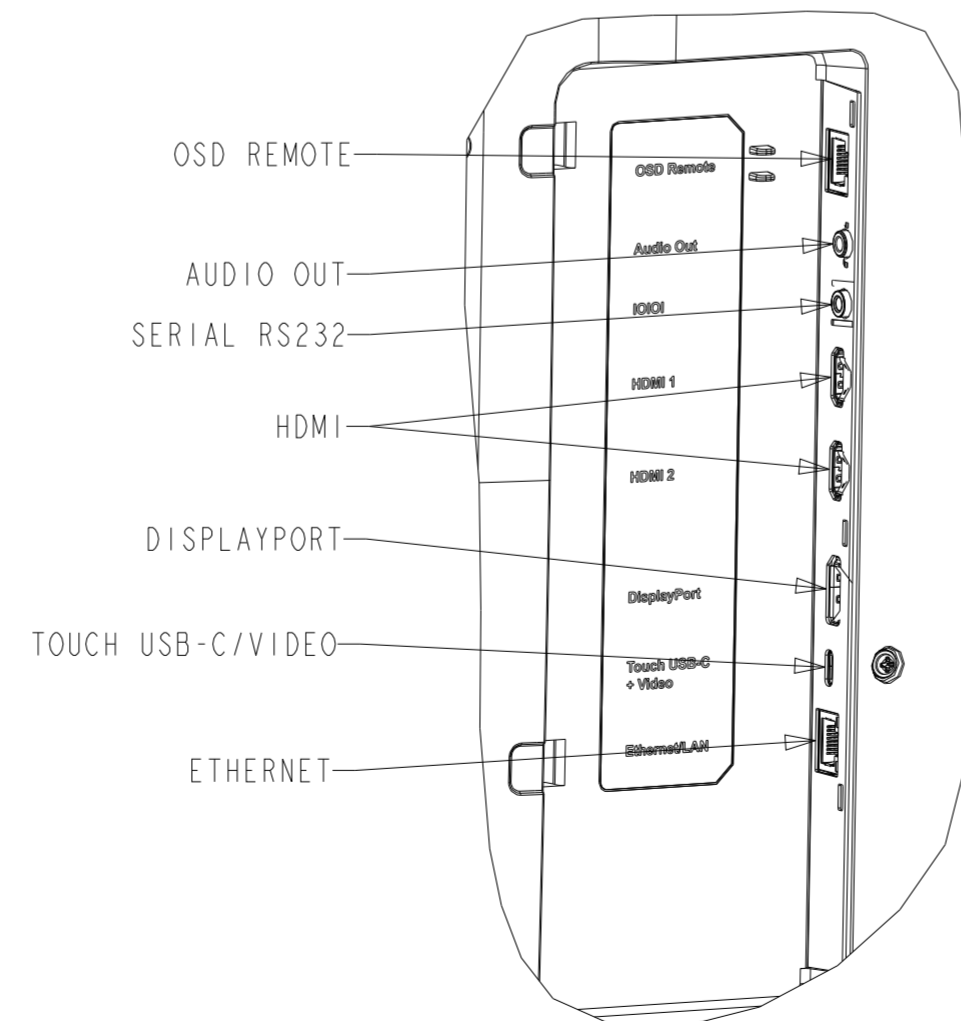
8.2 RECESSED AREA FOR COMPUTER MOUNTING



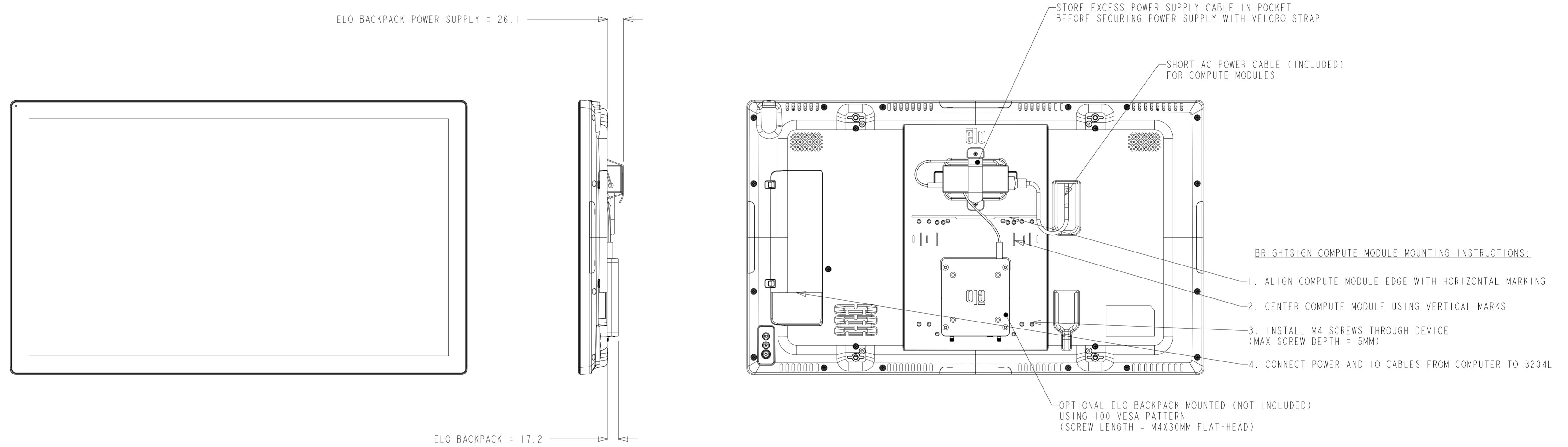
WI-FI ADAPTER KIT P/N E131942



IO CONNECTIONS

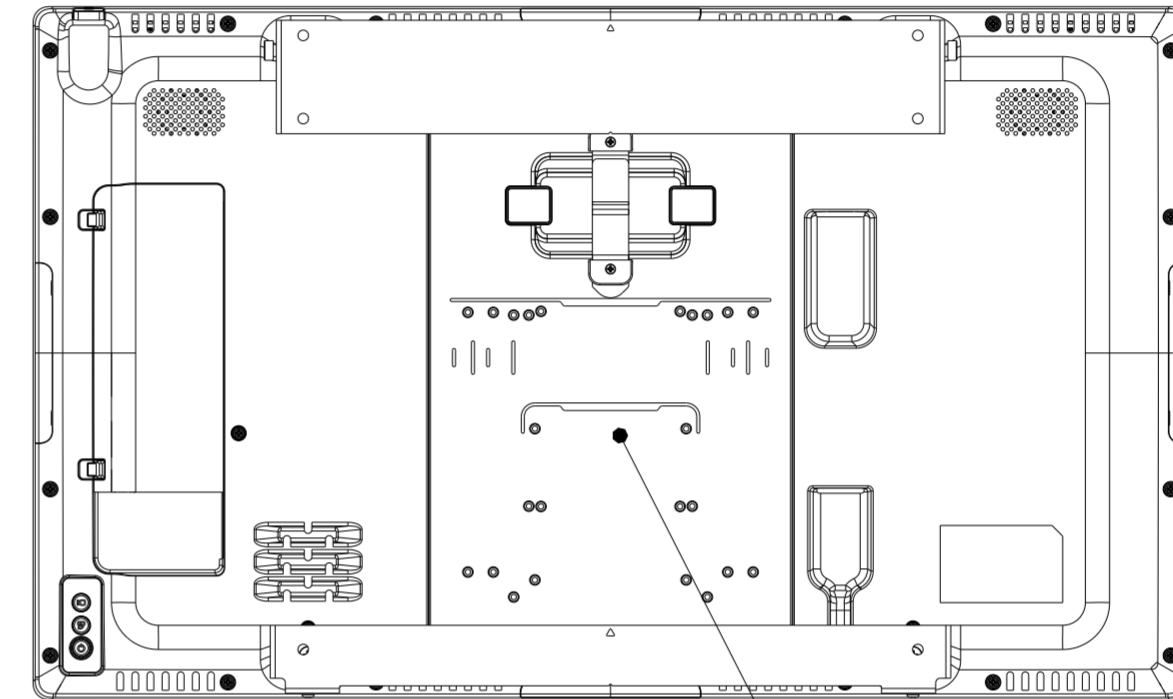
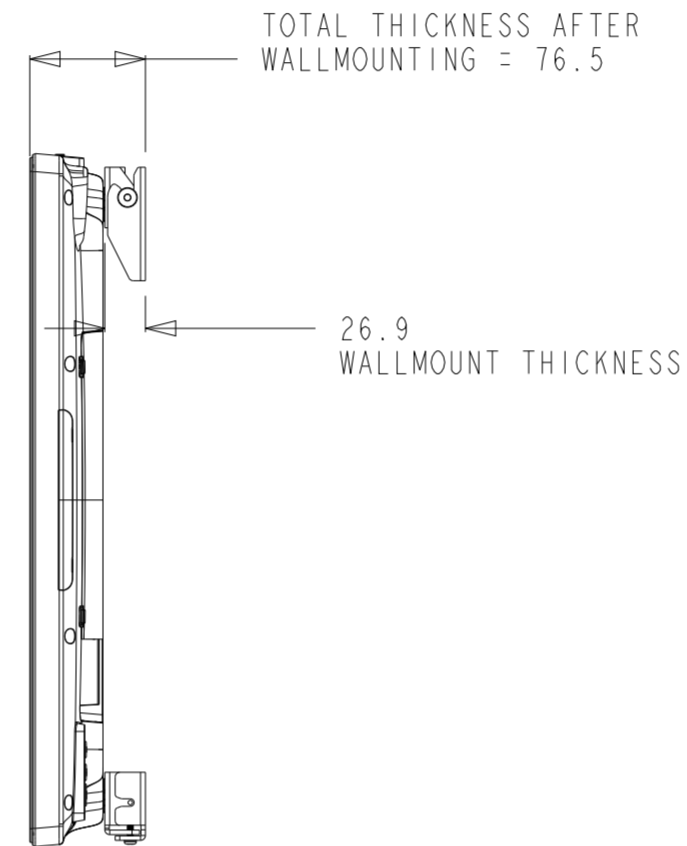
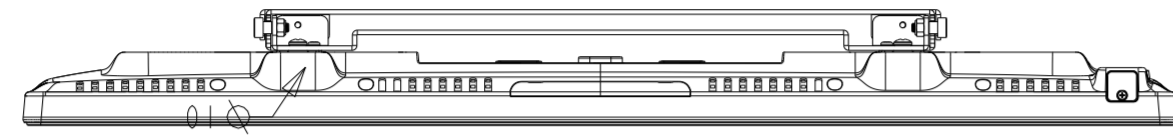


# COMPUTE MODULE MOUNTING

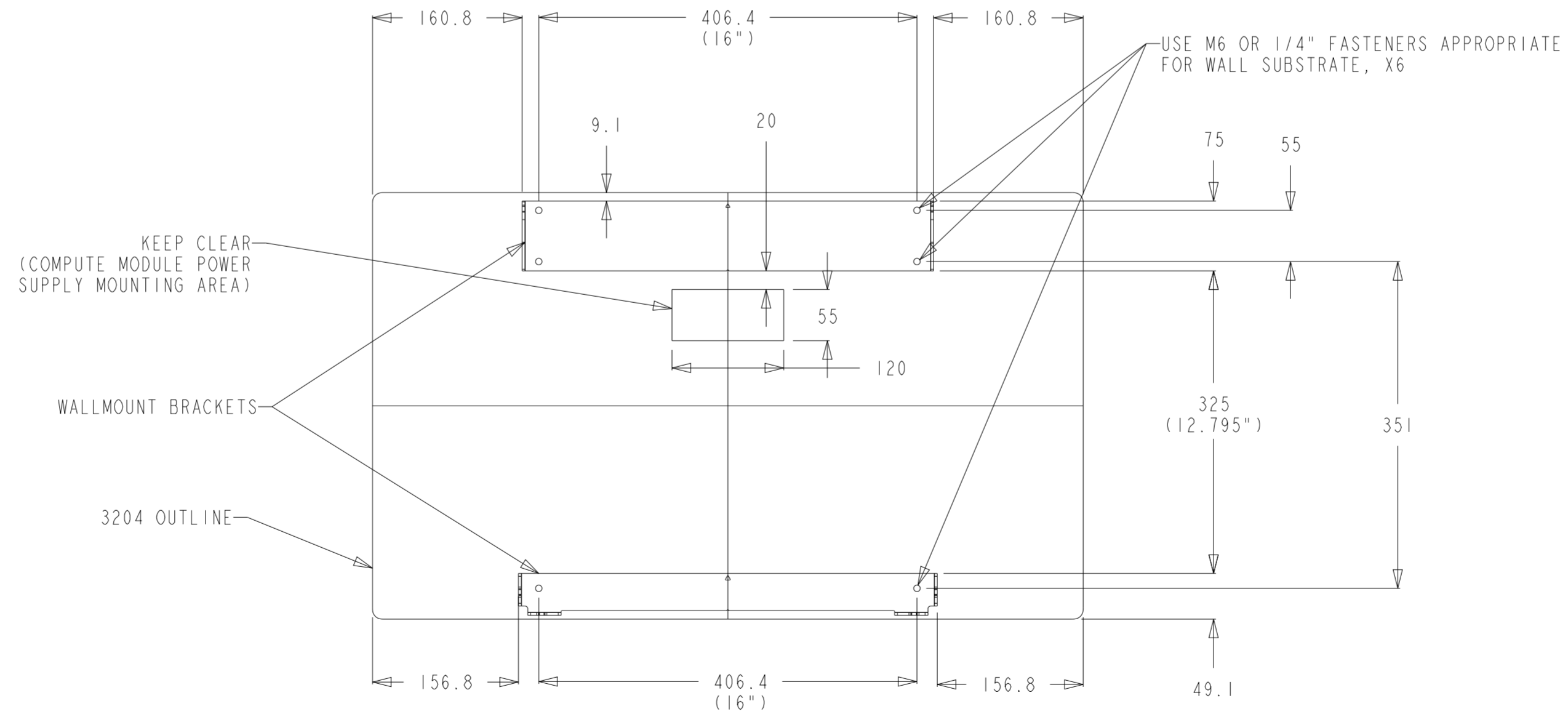


# LOW-PROFILE WALL MOUNT KIT P/N E721949

LANDSCAPE ORIENTATION (SEE PAGE 4 FOR PORTRAIT ORIENTATION)

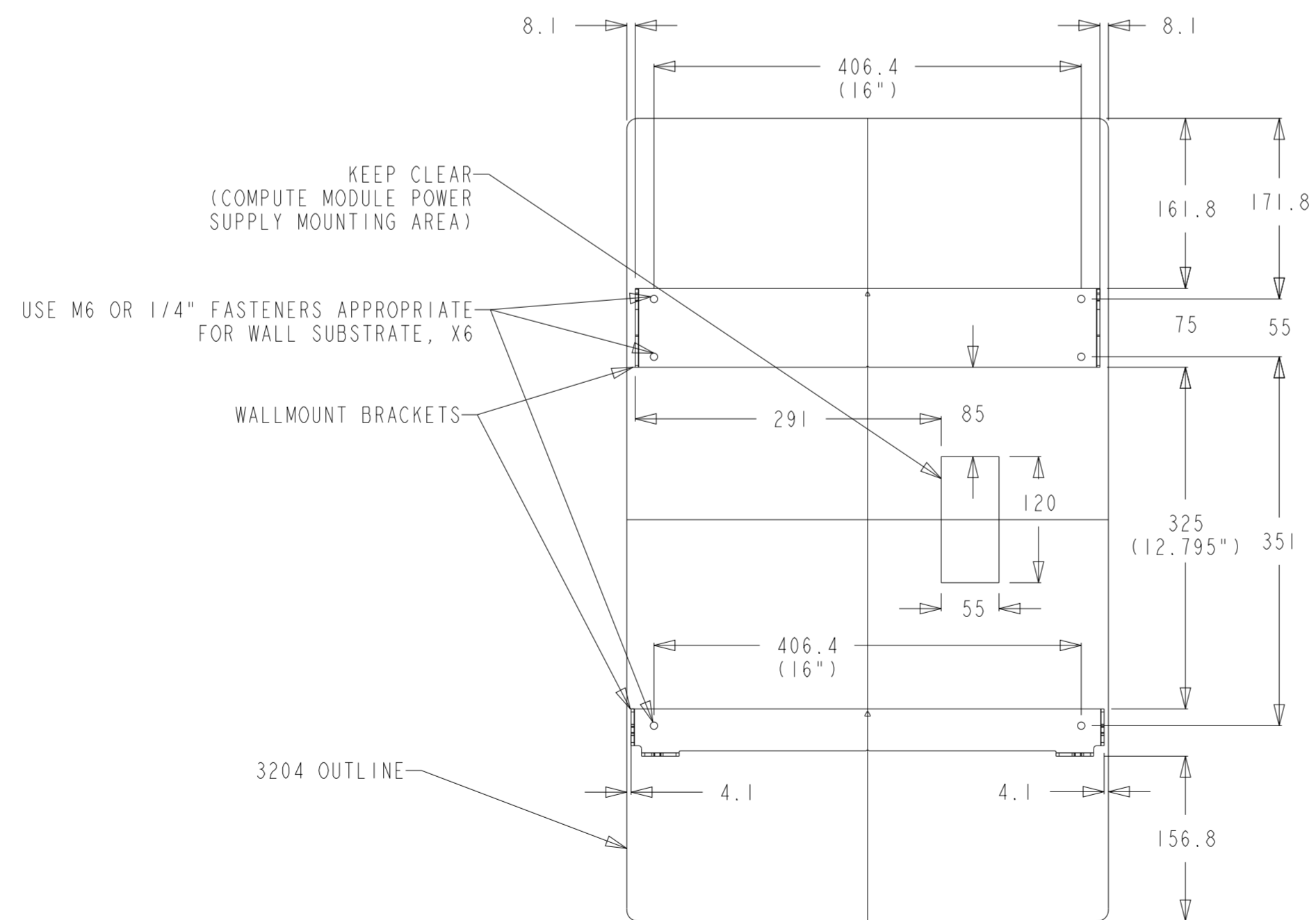
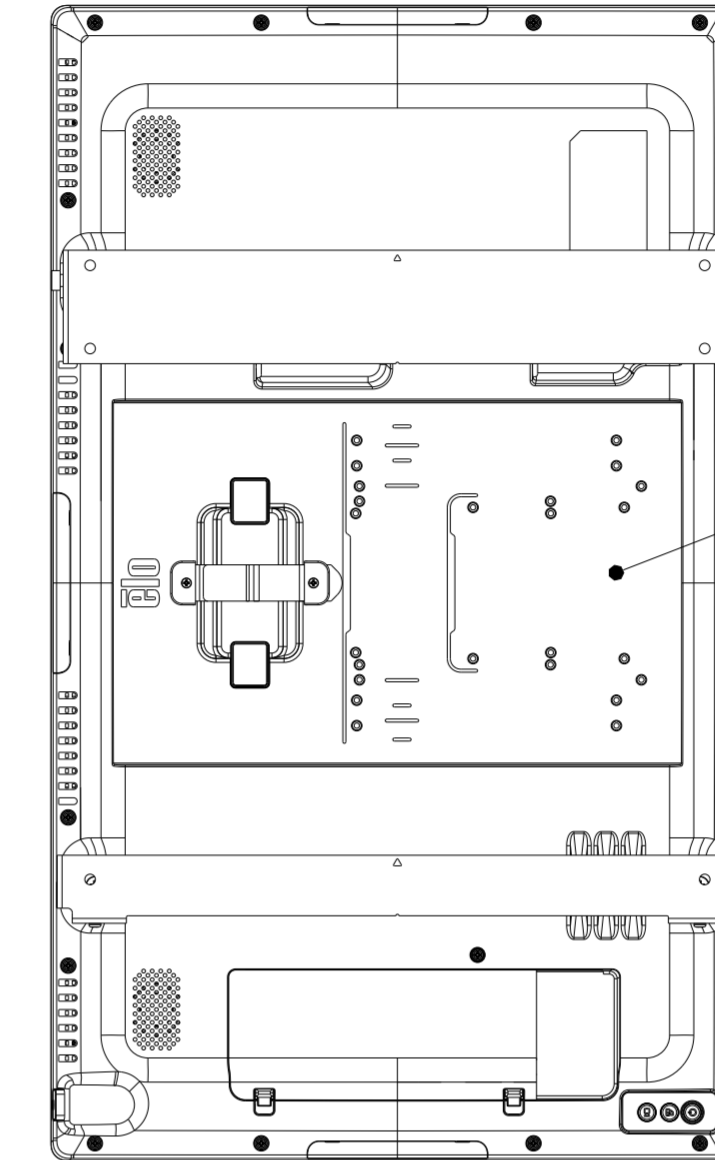
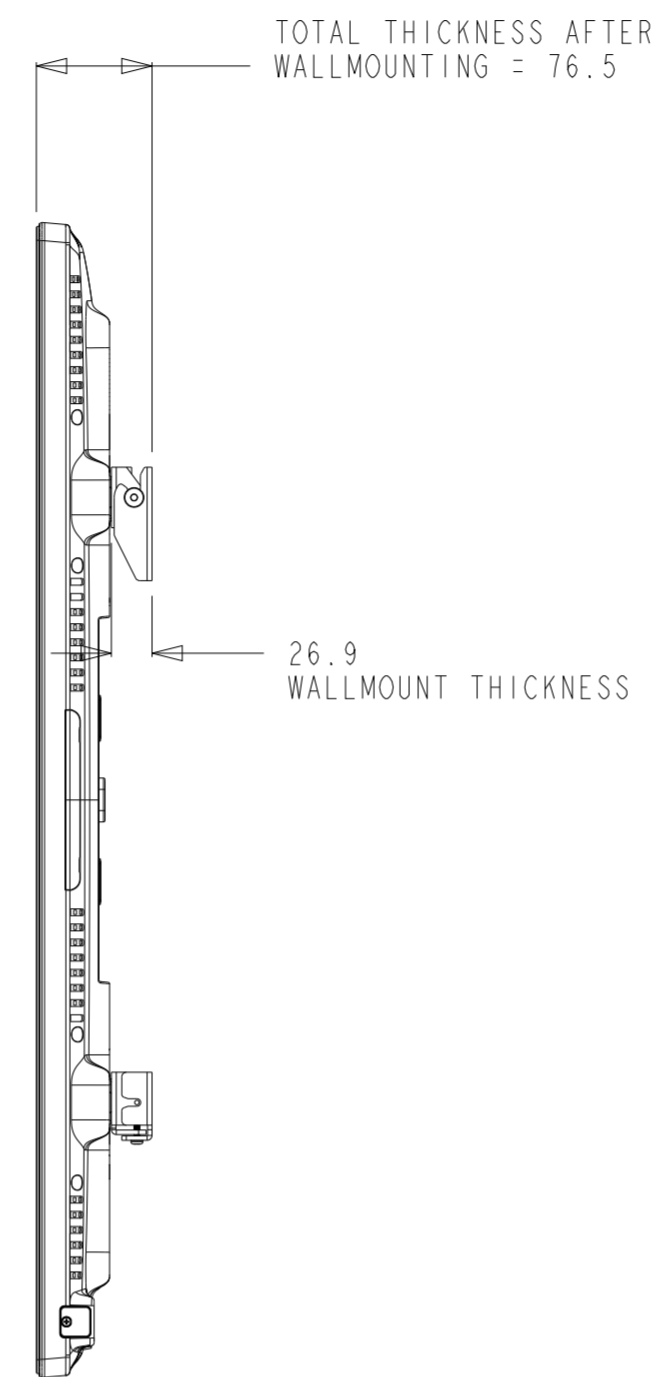
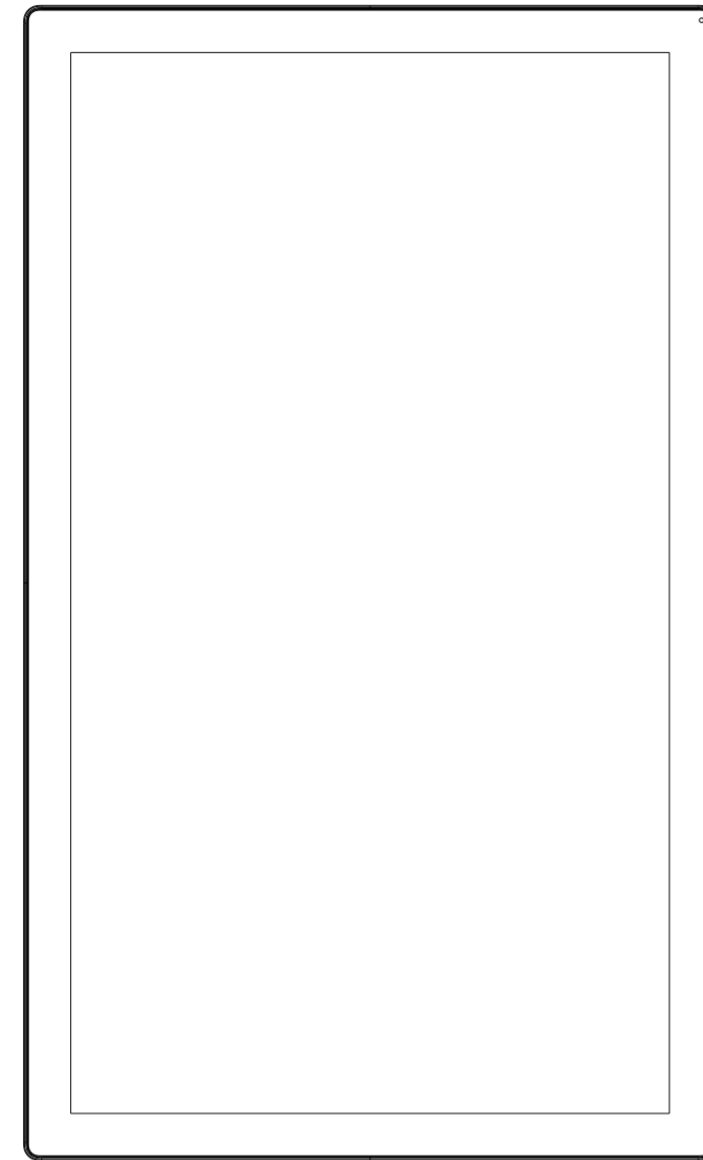


MAXIMUM COMPUTE MODULE THICKNESS ON RECESSED FACE = 35.1MM



# LOW-PROFILE WALL MOUNT KIT P/N E721949

PORTRAIT ORIENTATION (SEE PAGE 3 FOR LANDSCAPE ORIENTATION)



# IDS STAND KIT P/N E722153

LANDSCAPE ORIENTATION ONLY

