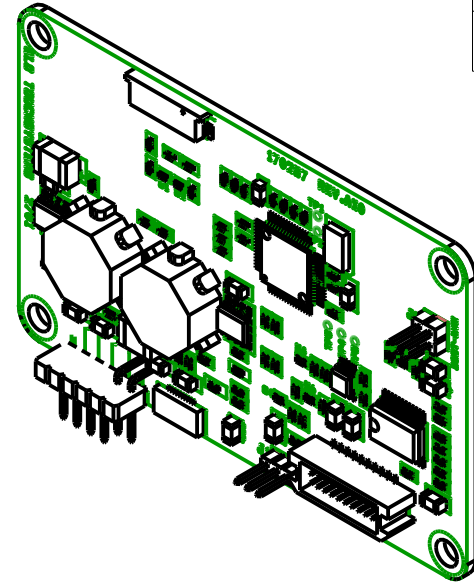


ELO TOUCH SOLUTIONS CONTROLLER

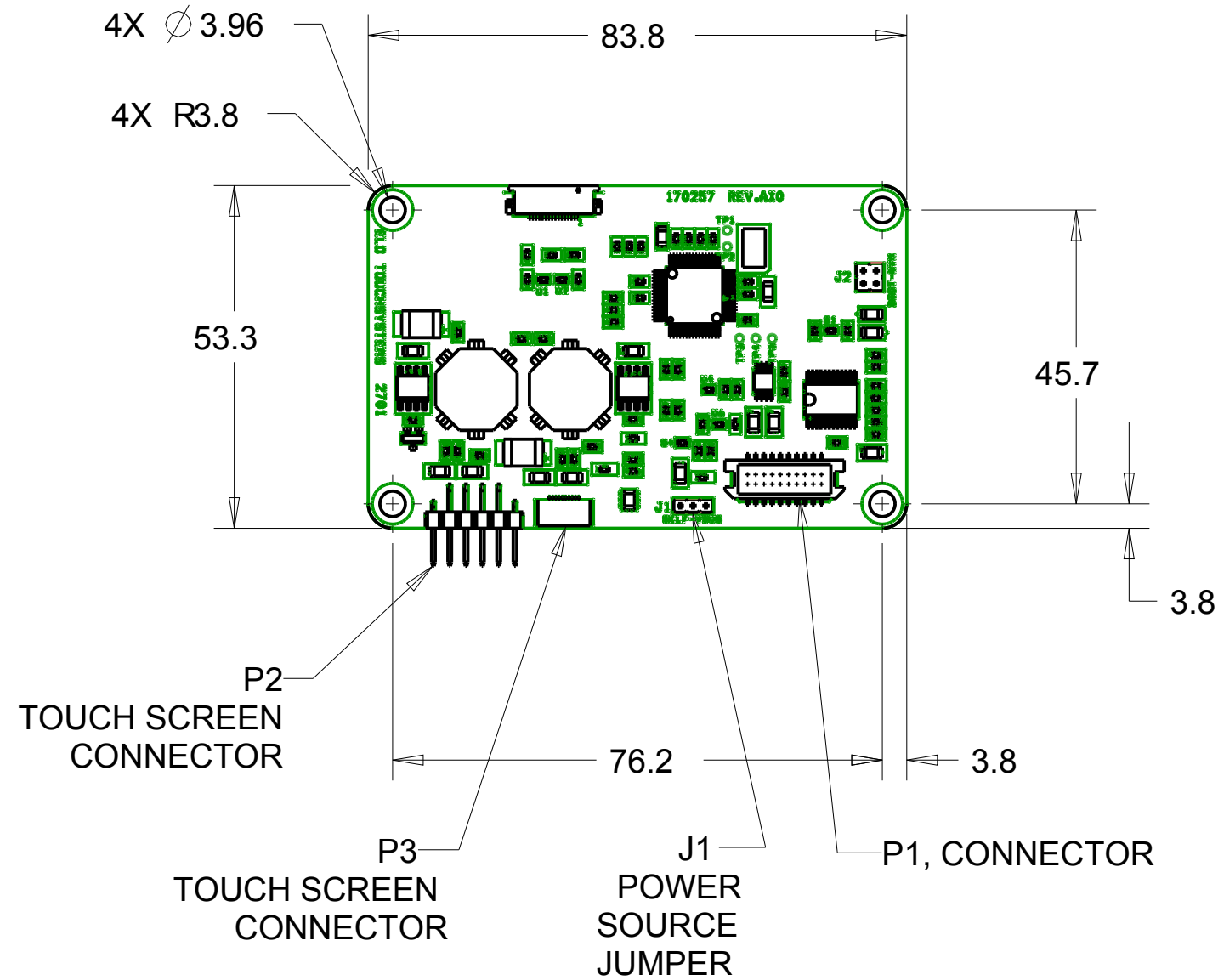
2701 CONTROLLER FAMILY DIMENSIONAL DRAWING

PART NUMBER	PART NUMBER DESCRIPTION
D68054-000	CTR-270100-RSU-00-R
E437578	CTR-270100-RSU-03-R
E990133	CTR-270100-RSU-05-R
E937215	CTR-270100-RSU-06-R
E921253	CTR-270100-RSU-08-R
E663189	CTR-270100-RSU-J0-R

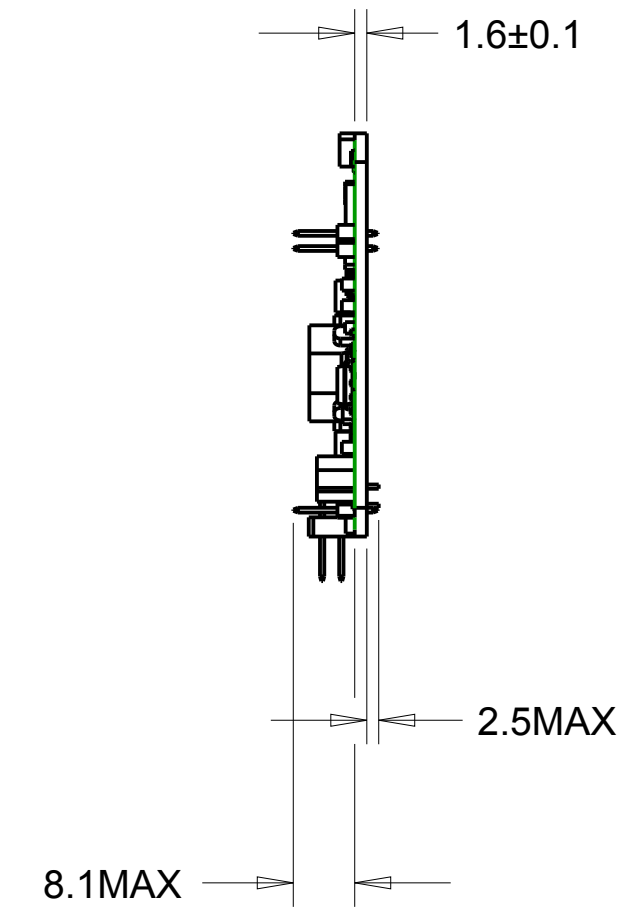


NOTE:

3D FILES ARE ALSO AVAILABLE, CONTACT ELO CUSTOMER SERVICE FOR MS600473.



REVISIONS					
REV	ZONE	BY	DESCRIPTION	DATE	APPROVED
A	--	HAG	RELEASED PER ECO 6295	09.19.06	CCB
B	--	HAG	REVISED PER ECO XXXX;CHGD MAX LEAD PROTUSION FRM 1.6 TO 2.5	TBD	CCB
C	--	BC	ECO-12-012454; REBRANDED TO ELO TOUCH SOLUTIONS	07.21.12	JR
D	--	DI	REV PER ECO-13-0133, REMOVED TOUCH SOLUTIONS FROM LOGO	05.24.13	
E	--	HJ	ECO-14-0823, UPDATED DRAWING	07.17.14	VP



ITEM NO.	QTY REQ'D	DRAWING OR PART NO.	DESCRIPTION	MATERIAL SPECIFICATION
----------	-----------	---------------------	-------------	------------------------

PARTS LIST

PART. NO.	UNLESS OTHERWISE SPECIFIED ALL DIMENSIONS ARE IN MILLIMETERS	DRAWN HJ	DATE 07.17.14	TITLE	
METRIC	TOLERANCES ARE:	CHECK VINCENT	DATE 07.17.14	DIMENSIONAL DRAWING, 2701 CONTROLLER FAMILY STANDARD FORM FACTOR	
DO NOT SCALE DRAWING	DECIMALS ANGLES X = ± 0.50 ±1 / 2 ° .X = ± 0.25 FRACTIONS .XX = ± 0.13 ±1 / 32	DESIGN	DATE		
Pro/E .prt/.asm: MS600473.PRT		THIRD ANGLE PROJECTION		SIZE	
Pro/E .dwn: MS600473_E.DRW				SCALE	
				SHEET	REV
				1 OF 2	E
				DWG. NO.	
				MS600473	

P1 POWER / INTERFACE CONNECTOR

P/N : MOLEX 53505-2090,
 1.25MM PITCH 2X10 VERTICAL SHROUDED HEADER
 MATING PART(PROVIDED FOR REFERENCE) :
 CHYAO-SHIUNN JS-2255 SERIES OR WELL-LIN WL1027 SERIES.


SIGNAL NAME	P1 PIN	SOURCED BY	SIGNAL FUNCTION
VBUS	1	host	USB VBUS
GND	2		SIGNAL GROUND
D-	3	bidir	USB D-
D+	4	bidir	USB D+
VCC(5V)	5	host	POWER SUPPLY INPUT (FOR SELF POWER)
GND	6		GROUND
NC	7		DO NOT CONNECT
NC	8		DO NOT CONNECT
LEDN	9	CTR	OPEN COLLECTOR CONTROL SIGNAL FOR EXTERNAL LED WITH 1K SERIES RESISTANCE.
RSTN	10	host	ACTIVE LOW RESET
DCD	11	ctrl	RS-232 Carrier detect, handshake = 0 (POSITIVE) when the controller power on
DSR	12	ctrl	RS-232 Data set ready, handshake = 0 (POSITIVE) when the controller power on
RxD	13	ctrl	RS-232 Serial data from controller to host
RTS	14	host	RS-232 Request to send, handshake = 0 (POSITIVE) when the controller may send
TxD	15	host	RS-232 Serial data from host to controller
CTS	16	ctrl	RS-232 Used as <input type="checkbox"/> ready to receive, handshake = 0 (POSITIVE) when host may send
DTR	17	host	RS-232 Data terminal ready, handshake = 0 (POSITIVE) when the controller may send
NC	18		DO NOT CONNECT
GND	19	com	signal ground
NC	20		DO NOT CONNECT

P2 / P3 TOUCHSCREEN CONNECTOR

SIGNAL NAME	P2 PIN	P3 PIN	SIGNAL FUNCTION
CHASSIS	1	NC	FRAME GROUND FOR CABLE SHIELD
NONE	2	NC	CONNECTOR KEY
Y RCV +	3	4	TOUCHSCREEN INTERFACE
Y XMT +	4	2	TOUCHSCREEN INTERFACE
Y RCV -	5	5	TOUCHSCREEN INTERFACE
Y XMT -	6	1,3	TOUCHSCREEN INTERFACE
ANALOG GND	7	NC	ANALOG GROUND
X XMT -	8	8,10	TOUCHSCREEN INTERFACE
X RCV -	9	6	TOUCHSCREEN INTERFACE
X XMT +	10	9	TOUCHSCREEN INTERFACE
X RCV +	11	7	TOUCHSCREEN INTERFACE
NONE	12	NC	CONNECTOR KEY (EXCEPT E663189)

J1 POWER SOURCE JUMPER

POSITION	FUNCTION
1-2 SHORTED(DEFAULT)	SELF POWERED(DEFAULT)
2-3 SHORTED	USB BUS POWERED

TITLE		
DIMENSIONAL DRAWING, 2701 CONTROLLER FAMILY STANDARD FORM FACTOR		
SIZE	SCALE	SHEET
C	1.000	2 OF 2
DWG. NO.		REV
MS600473		E