

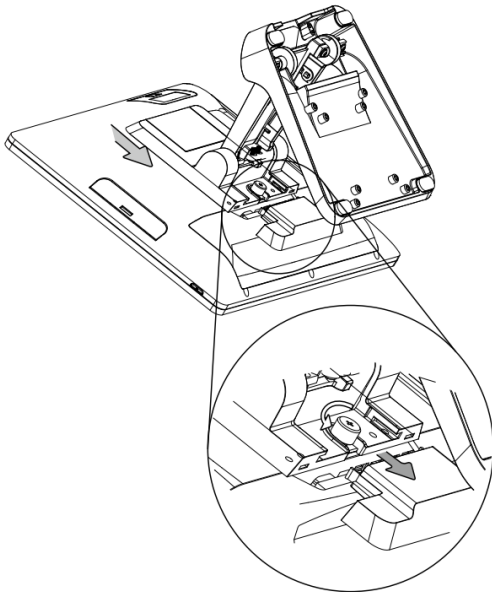
QUICKSTART GUIDE

EVO RD6 LCM

1

Disassemble the Stand

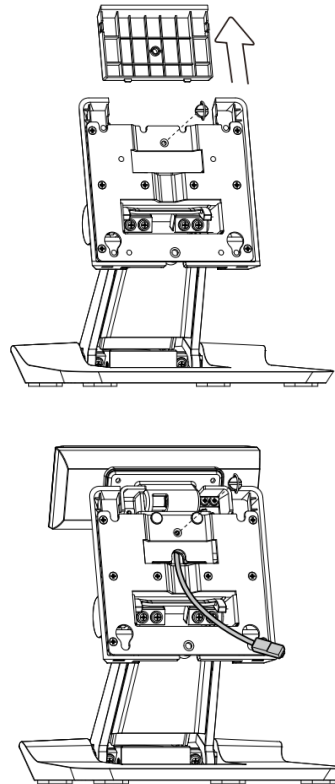
- Slide the VESA bottom cover outwards.
- Loosen the thumb screw (x1) and pull the stand down to remove it.



2

Attach 2-Line LCM

- Remove the thumb screw (x1) from the top cover and then remove the cover.
- Attach LCM as shown and secure it with the thumb screw.
- Route the cable through the stand as shown.



3

Reassemble the Stand

- Attach the stand to the terminal, securing it with the thumb screw.
- Plug the display into one of the USB ports on the terminal.

