

TABLET STANDS FOR SAFE SPACE SOLUTIONS

Floor and Tabletop Tablet Stands

Chief floor and tabletop tablet stands support safe entry and navigation through public spaces. By offering aesthetic, value-driven, easy to install mounting solutions, Chief is simplifying the overwhelming complexity of safe space solutions in the marketplace. When paired with a temperature-screening device, these mounts serve as a complete solution in providing peace of mind for individuals as they enter a business, workplace, school or any public space. Fostering confidence and safety, Chief tablet stands help secure access for everyone's return to spaces where we live, work and play.

- Support temperature-sensing, column-mounted tablets up to 10 lbs. (5 kg).
- VESA-compatible models support tablets up to 15 lbs. (7 kg) with 75x75mm or 100x100mm bolt patterns.
- Built-in cable management, storage & complimentary device management for installation flexibility and enhanced aesthetics.
- Displays can be tilted to adjust to a range of user heights.
- Lightweight designs with superior stability make moving displays or installing new screening locations simple.
- Stands can be bolted down to surfaces for additional stability and security (optional).



The Tablet Tabletop Stand (HTSTS) supports temperature-sensing, column-mounted tablets up to 10 lbs. (5 kg)

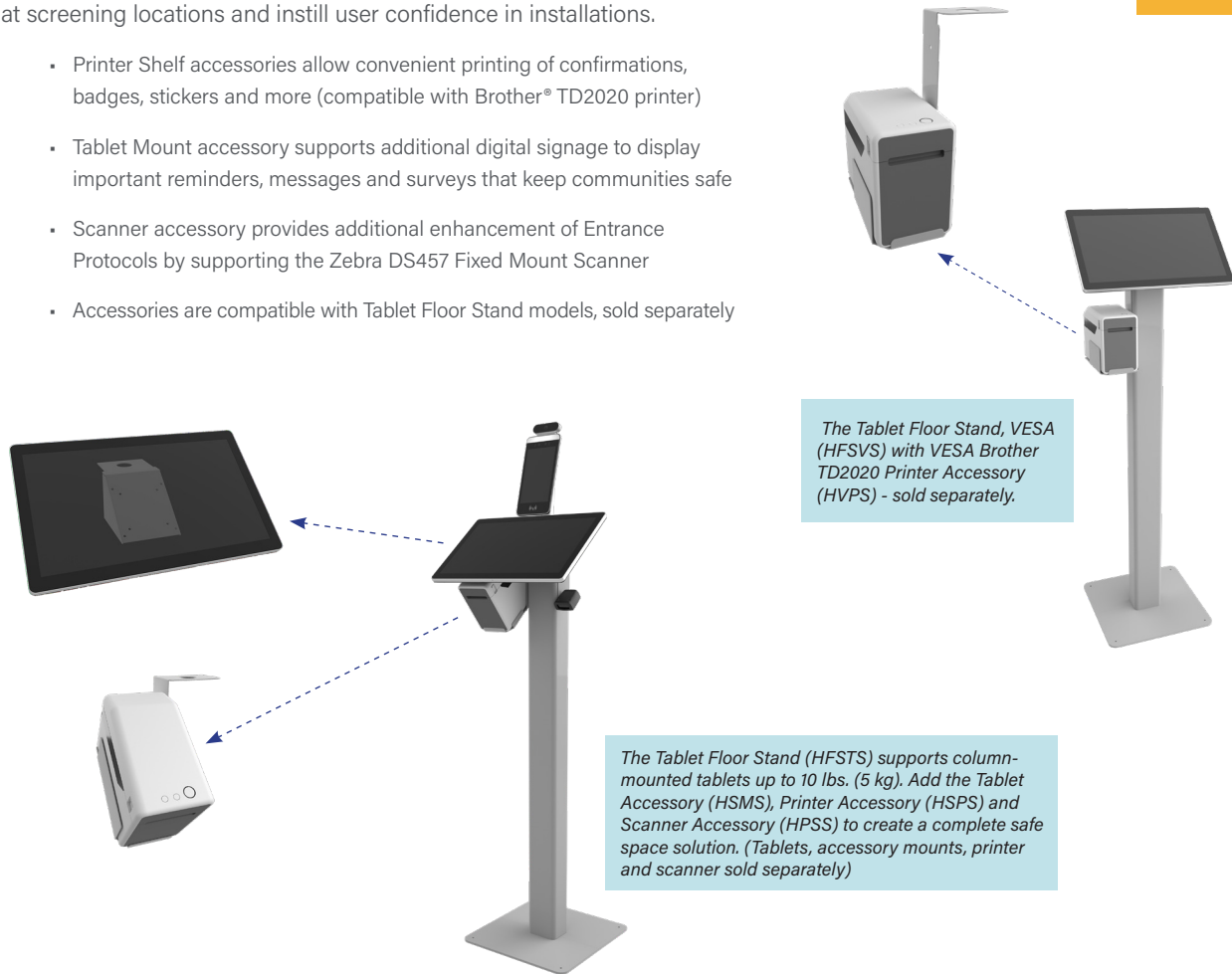


The VESA-compatible Tablet Floor Stand (HFSVS) supports tablets up to 15 lbs. (7 kg) with 75x75mm or 100x100mm bolt patterns.

Accessories

Accessories are available to assist with management of occupancy data at screening locations and instill user confidence in installations.

- Printer Shelf accessories allow convenient printing of confirmations, badges, stickers and more (compatible with Brother® TD2020 printer)
- Tablet Mount accessory supports additional digital signage to display important reminders, messages and surveys that keep communities safe
- Scanner accessory provides additional enhancement of Entrance Protocols by supporting the Zebra DS457 Fixed Mount Scanner
- Accessories are compatible with Tablet Floor Stand models, sold separately

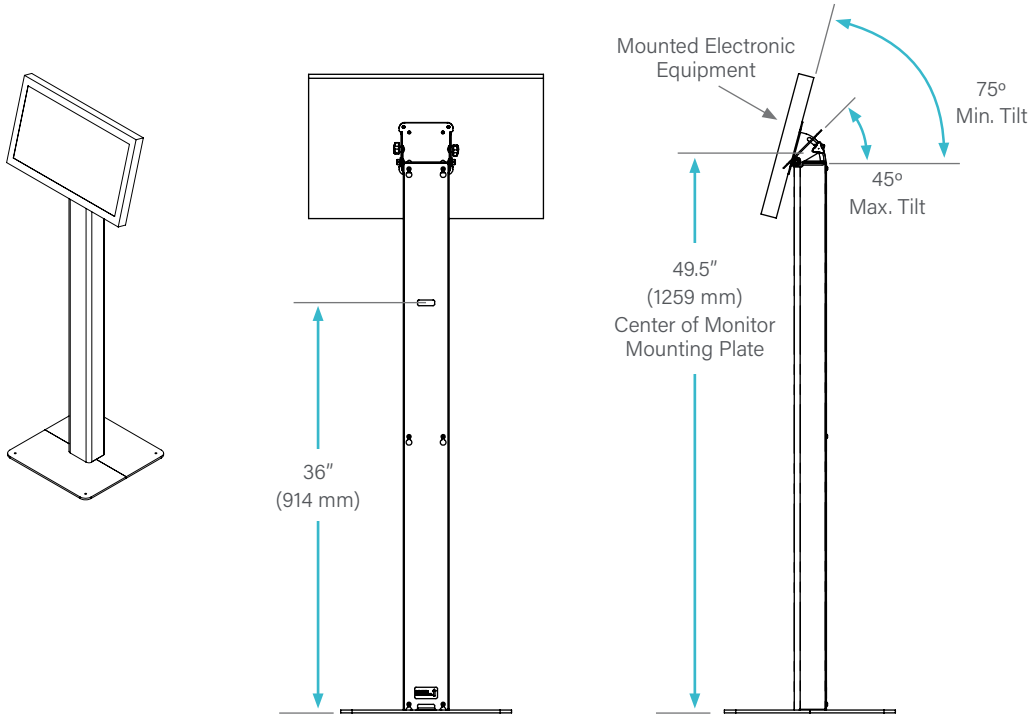


The Tablet Floor Stand, VESA (HFSVS) with VESA Brother TD2020 Printer Accessory (HVPS) - sold separately.

The Tablet Floor Stand (HFSTS) supports column-mounted tablets up to 10 lbs. (5 kg). Add the Tablet Accessory (HSMS), Printer Accessory (HSPS) and Scanner Accessory (HPSS) to create a complete safe space solution. (Tablets, accessory mounts, printer and scanner sold separately)

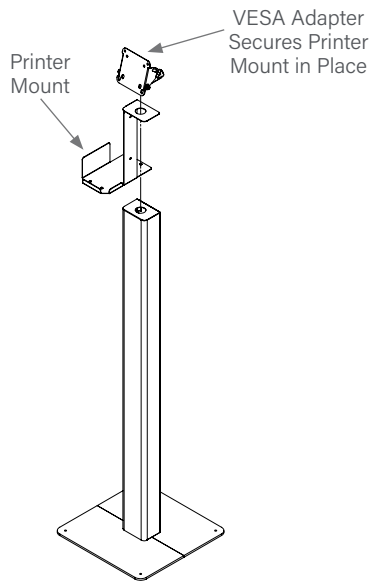
Part Number	Product Name	Center of Display to Floor/Table	Overall Product Dimensions (w x d x h)	Weight Capacity	Mounting Pattern Range
HFSVS	Tablet Floor Stand, VESA	49.5" (126 cm)	15" x 15" x 52"	15 lbs. (7 kg)	75 x 75mm or 100 x 100mm
HVPS	VESA Tablet Floor Stand, Brother TD2020 Printer Accessory	NA	8.74" x 8.25" x 11.75"	3 lbs. (1.3 kg)	Custom
HFSTS	Tablet Floor Stand, Column Mounted	55" (141 cm)	15" x 15" x 48"	10 lbs. (5 kg)	1.5" threaded column
HSPS	Tablet Floor Stand, Printer Shelf	NA	8.8" x 6.7" x 10.6"	3 lbs. (1.3 kg)	Custom
HSMS	Tablet Floor Stand, Tablet Mount	46.2" (117 cm)	4.5" x 8.2" x 3.8"	5 lbs. (2.3 kg)	75 x 75mm or 100 x 100mm
HPSS	Tablet Stand Scanner Accessory	40" (102 cm)	6.41" x 2.60" x 8.18"	1 lb. (0.5 kg)	Custom
HTSVS	Tablet Tabletop Stand, VESA	9.2" (23 cm)	8.9" x 7.8" x 11.6"	15 lbs. (7 kg)	75 x 75mm or 100 x 100mm
HTSTS	Tablet Tabletop Stand, Column Mounted	15" (38 cm)	8.9" x 7.8" x 8"	10 lbs. (5 kg)	1.5" threaded column

HFSVS: Tablet Floor Stand, VESA



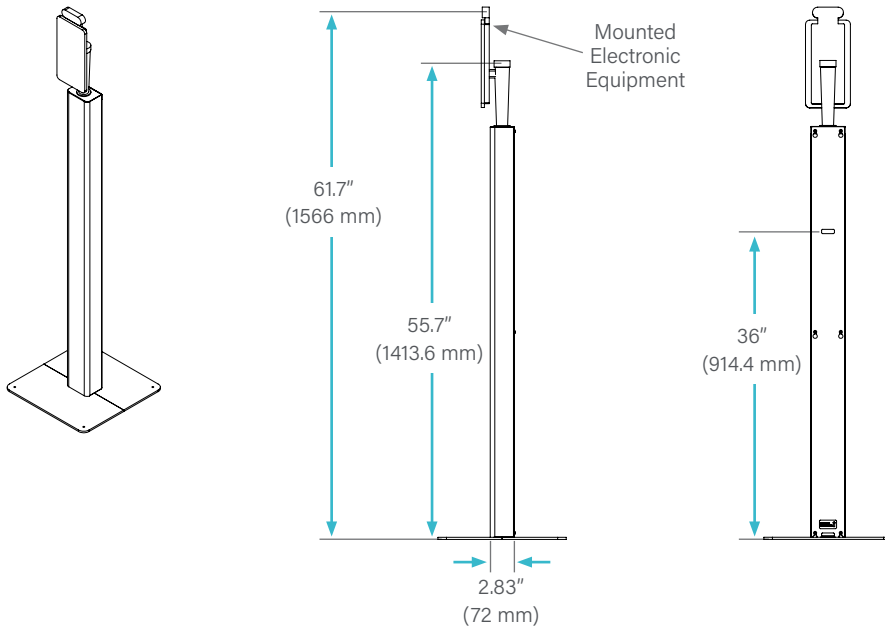
Accessory for HFSVS

HVPS



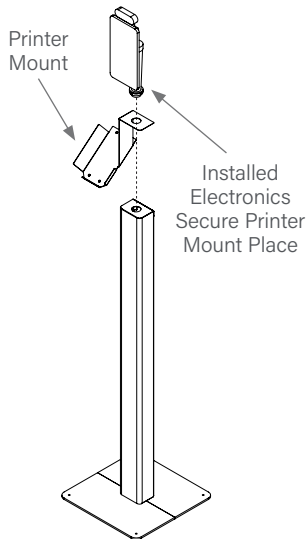
Stand, accessories and electronic equipment (tablets) sold separately.

HFSTS: Tablet Floor Stand, Column Mounted

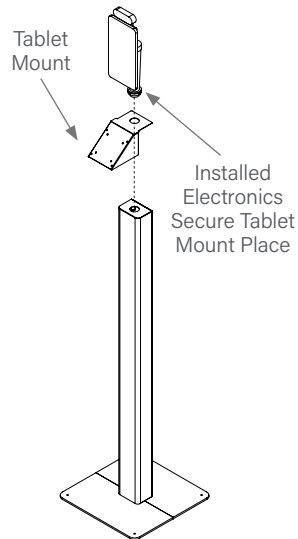


Accessories for HFSTS

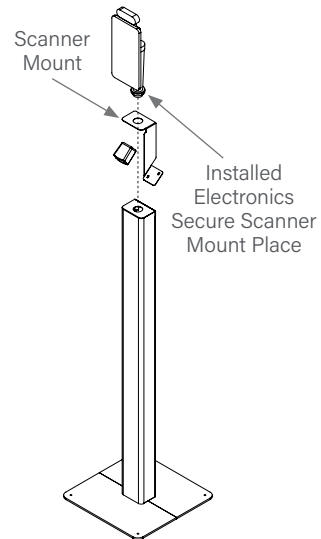
HSPS



HSMS

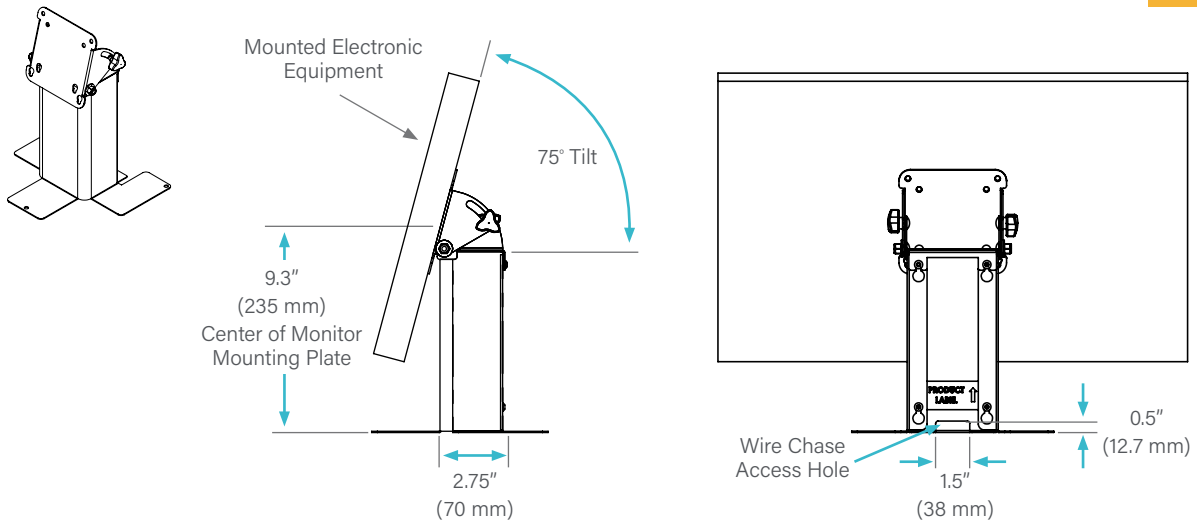


HPSS

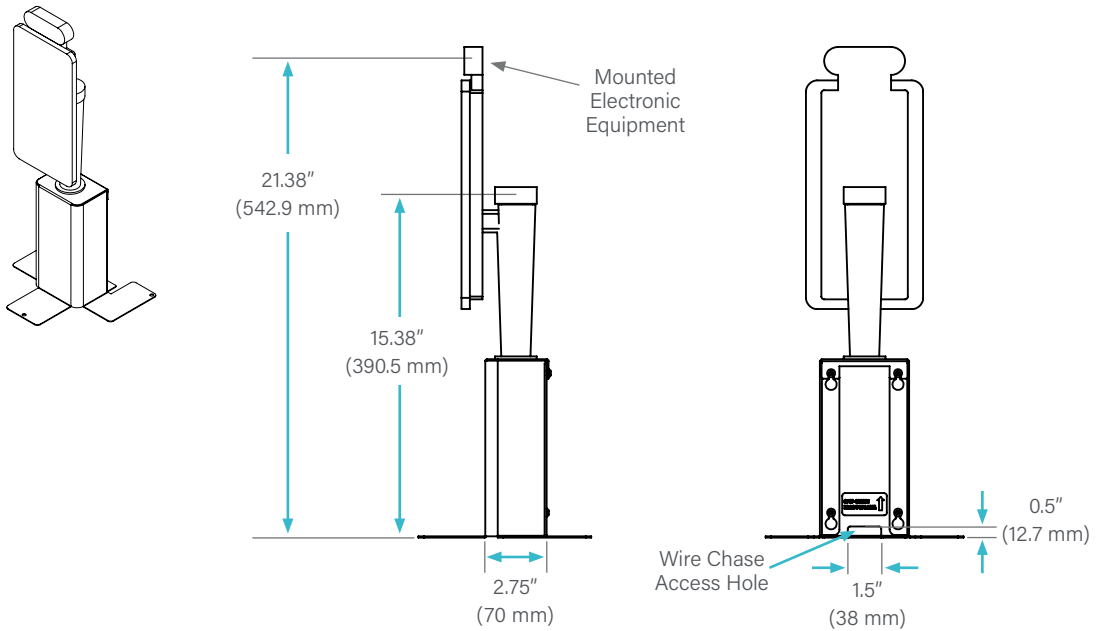


Stand, accessories and electronic equipment (tablets) sold separately.

HTSVS: Tablet Tabletop Stand, VESA



HTSTS: Tablet Tabletop Stand, Column Mounted



Electronic equipment (tablets) sold separately

CHIEF[®]
A brand of  **legrand**

LEGRAND | AV COMMERCIAL BRANDS

C2G | Chief | Da-Lite | Luxul | Middle Atlantic | Vaddio | Wiremold

INSTALLER INSPIRED | legrandav.com

USA 866.977.3901 av.chief.support@legrand.com CANADA 877.345.4329 av.chief.canada@legrand.com

EMEA +31 495 580 840 av.emea.sales@legrand.com APAC +852 2145 4099 av.asia.sales@legrand.com

©2021 Legrand AV Inc. 200736 Rev B 4/21 Chief is a registered trademark of Legrand AV Inc. All other brand names or marks are used for identification purposes and are trademarks of their respective owners. All patents are protected under existing designations. Other patents pending.