

mC-Sound

Audible Sound Device



Features

High Quality Sound

Blue illuminating LED for visual alert

Installation on the printer



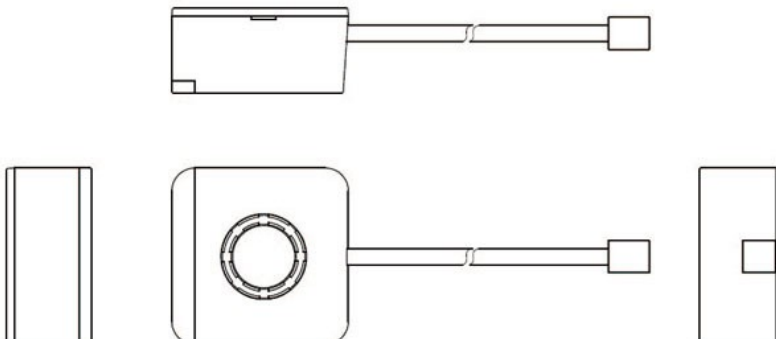
SDK and dedicated software is available

SDKs for iOS, Android and Windows and the OPOS driver are available. The mC-Sound can be controlled via printer.

<mC-Sound Supported Printers>

https://www.star-m.jp/eng/dl/dl02_mcsound_spl.html

Dimensions



Product Research

Search

Beginning Including

Contact us

Download Catalog, Manual & Software

Technical Specifications

Prints from Tablets
Prints from Smartphones

Product Information

Small Printers

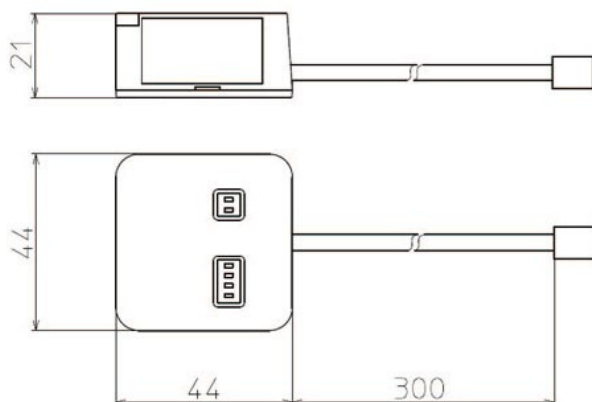
- Thermal Printers
- Thermal Printer Mechanisms
- Dot Matrix Printers
- Dot Matrix Printer Mechanisms
- Hybrid Printers
- Portable Printers
- Cash Drawer

Peripherals

- mCollection
- Accessories / Options
- Control Boards
- Applications
- Apple Approval Process for STAR MFi Applications
- Star WebPRNT Browser
- Three Revolutions
- Patent Information
- Visual Card Reader/Writers
- Automatic Lathes
- Precision Products

Peripherals

- SCD222U
- DK-AirCash Series



Specifications

Model Name	MCS10
Color	Black
Dimensions	(W) 44mm x (D) 44mm x (H) 21mm
Weight	Approx. 45g
Sound Pressure	Installed on top of printer : Maximum approx. 89dB Installed inside on back of printer : Maximum approx. 88dB Measurement distance : 10cm ※The sound pressure and sound quality may vary depending on the measurement environment and playback sound.
Registered Sounds	16 sounds
Interface	DK port (cable is about 30cm)

Sounds

Registered Sounds

16 sounds are registered in the mC-Sound.

Users can select sounds and volume by means of directions and commands from their application.

It is also possible to set sounds and volume with the Dip switches on the rear side of the mC-sound.

※The setting from the application overrides the DIP switch settings.

Playback of Received Data

The mC-Sound plays the sound data sent from a host device.

This operation is close to the streaming playback.

Error Sounds

The mC-Sound has a function to play an error sound when a printer error occurs.

※To use this function, enable "Sound on Error (mC-Sound)" from "Memory Switch Settings" of the "mC-Print Utility".

Conditions	Error Sound
Printer cover open error	(Play starts 30 seconds after the error occurs) Long beep (continuous)
No paper error	Beep, beep ... (1/2 second intervals)
Printer network error	Beep, beep, beep ... (1/8 second intervals)
Printer irrecoverable error	Beep, beep, beep ... (1/16 second intervals)

Software Support



Download of Store Application mC-Print Utility



This App can check printer operations, change memory switches and configure Bluetooth settings easily. You can configure printer settings simply by using this App.

Tools for Developers

Direct print support from device or native application **StarPRNT SDK**

iOS : StarPRNT for iOS (Support languages: Swift,Objective-C)

Android : StarPRNT for Android (Support languages: Java)

Windows : StarPRNT for UWP SDK / StarPRNT for Windows Desktop SDK (Support language:C#)

Direct print support from PC

Windows : StarPRNT for mCollection (Windows printer driver / OPOS driver)

Mac / Linux : CUPS driver

(Questions & Inquiries)

Thank you for using Star Micronics products.



Downloads & Technical Specifications

Catalogs, manuals and software can be downloaded.



Star Micronics provides specification manuals, technical manuals and others.



PAGE TOP

Product Information

Small Printers

- Thermal Printers
- Thermal Printer Mechanisms
- Dot Matrix Printers
- Dot Matrix Printer Mechanisms
- Hybrid Printers
- Portable Printers
- Peripherals
- Accessories / Options
- Control Boards
- Applications

Visual Card Reader/Writers

Visual Card Reader/Writer for PET/PVC Cards

Automatic Lathes

- CNC Swiss Type Automatic Lathes
- CNC Automatic Lathes
- Support Software and Others

Precision Products

Dedication to Quality of Precision Components

Investor Relations

Sitemap

Download

- Small Printers
- Visual Card Reader/Writers
- Computer Printers

Technical Specifications

- Small Printers
- Visual Card Reader/Writers
- Computer Printers

Corporate Information

- The History of Star Micronics
- Compliance

- Welcome Message
- Company Info.
- Business Locations
- Precision Products

[Automatic Lathes](#)

[Automatic Lathes](#)

[A Brief History of Star
Micronics](#)

[CSR Activities](#)

[Special Products](#)

[Machine Tools](#)

[Global Network](#)

[Privacy Policy](#)

[Website Terms of Use](#)

STAR MICRONICS CO., LTD.
ALL RIGHTS RESERVED. © COPYRIGHT STAR MICRONICS CO., LTD.